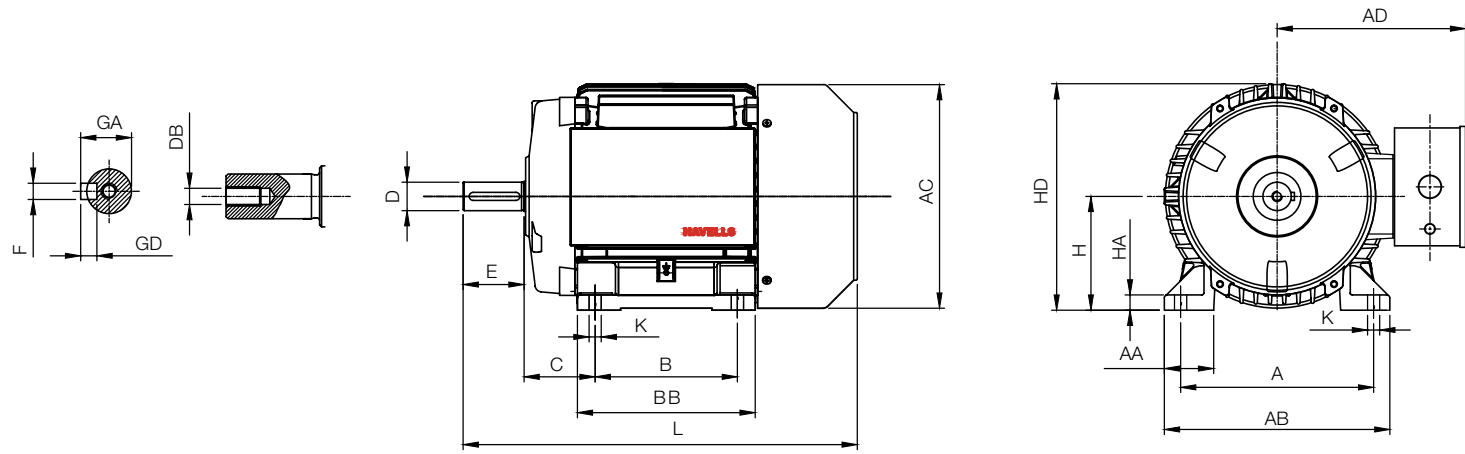


IEC Frame Single Phase Motor

Dimensions are in (mm)



Frame	No. of Poles	H	A	B	C	K	AB	BB	AD	HD	AC	HA	L	AA	D/DA	E/EA	F	GD	GA	DB
80	4	80	125	100	50	10	153	125	134	219	156	9.5	260 310	35	19	40	6	6	21.5	M6
90S	4	90	140	100	56	10	180	130	160	250	176	12	335 375	36	24	50	8	7	27	M8
90L	4	90	140	125	56	10	180	155	160	250	176	12	335 375	36	24	50	8	7	27	M8
100L	4	100	160	140	63	12	205	176	170	270	196	14	366 390	40	28	60	8	7	31	M10
112M	4	112	190	140	70	12	230	180	188	300	220	15	400	45	28	60	8	7	31	M10

Single phase 230 Volts, 50 Hz, with Cast Iron Body,
Insulation Class F, suitable for S1 (Continuous) Duty IEC Frame Motors.

Frame	HP	KW	Voltage	RATED AMP.	RPM	Enclosure	Types	Starting Torque	Breakdown Torque
80	0.5	0.37	230	2.4	1425	TEFC	CSCR	200	200
80	1.0	0.75	230	5	1425	TEFC	CSCR	230	215
100L	1.5	1.1	230	7.6	1425	TEFC	CSCR	260	265
100L	2.0	1.5	230	10.2	1425	TEFC	CSCR	240	228
112M	3.0	2.2	230	14.5	1440	TEFC	CSCR	230	245

General Applications of Havells Single Phase Motors

- Box Strapping Machines
- Jewellery Making Machines
- Pouch Making Machines
- Sugar Cane Crushers
- Washing Machines
- Vacuum Pumps
- Printing Presses
- Room Coolers
- Paint Mixer
- Surgical Pumps
- Needle Vibrator
- Sewing Machines
- Machine Tools
- Wheel Balancer
- Compressors



Regional & Branch Offices:

NORTH - REGIONAL OFFICE: Corporate Office: QRG Towers, 2D, Sector-126, Expressway, Noida-201304, Tel: 0120-3331000, **Delhi:** Tel: 011-47676700, 23888200, **Chandigarh:** Tel: 0172-4232400-401, **Dehradun:** Tel: 0135-6670202, **Noida / Haryana:** Tel: 0120-3331000, **Ludhiana:** Tel: 0161-4676000 / 24, **Jammu:** Tel: 0191-2478330, 2479330, **Sri Nagar:** Tel: 0194-2490431, **Jaipur:** Tel: 0141-3914645, 3988210 **Jodhpur:** Tel: 0291-9214201640 / 45, **Lucknow:** Tel: 0522-6672100, **Kanpur:** Tel: 0512-6710400, 6710409

EAST - REGIONAL OFFICE: Kolkata: ICC Tower, 5th Floor, 4 India Exchange Place, Kolkata-700001, Tel: 033-40129851 / 52, **Bhubaneswar:** Tel: 0674-6668101/102/103/104, **Guwahati:** Tel: 0361-2134521, 2458923, 2460355, **Siliguri:** Tel: 0353-2525907, **Ranchi:** 0651-2244861, 2244862, 2244864, 2244868, 2244869, **Jamshedpur:** Tel: 0657-6542492, 09234369436, **Patna:** Tel: 0612-2207221, 2207222, 2207223, 2655518

WEST - REGIONAL OFFICE: Mumbai: 301, Everest House, 3rd Floor, 6, Suren Road, Chakala, Andheri (E), Mumbai - 400 093, Tel: 022-67298600-602, **Ahmedabad:** Tel: 079-40061111, 40060738-740, **Indore:** Tel: 0731-2572340-41, 4009998 (Airtel), **Rajkot:** Tel: 0281-2481112, 2921212, **Nagpur:** Tel: 0712-2240932, 2242692, 2242699 **Pune:** Tel: 020-64016413 / 14, **Raipur:** Tel: 0771-4243400 / 01, **Surat:** Tel: 0261-2350137, 9979890137, **Jabalpur:** Tel: 0761-4064491

SOUTH - REGIONAL OFFICE: Chennai: Sigapi Achi Building, No. 18 / 3, 6th Floor, Rukmani Lakshmi Pathy Road, Egmore, Chennai-600008, Tel: 044-42280600, 605, **Bangalore:** Tel: 080-49075000, **Coimbatore:** Tel: 0422-2305767, 2306199, 2305199, **Hyderabad:** Tel: 040-27533372, 27533355, 27533632, 66320407/0408/6401/6402, **Kochi:** Tel: 0484-4099000, **Vishakapatnam:** Tel: 0891-6514339, **Vizag:** Tel: 0891-6514339, **Vijayawada:** Tel: 91+9247058847/57, **Calicut:** 4954019194, **Madurai:** 09994493242, **Trivandrum:** 4714015323, **Hubli:** 09446146028, **Trichy:** 09944460160

Representative Offices: • Goa • Solapur • Gwalior • Kathmandu • Bhopal



Havells India Ltd.
 QRG Towers, 2D, Sector -126, Expressway, Noida - 201 304 (UP), Ph. +91-120-3331000,
 E-mail: marketing@havells.com, www.havells.com
 Consumer Care No.: 1800 11 0303, 1800 103 1313 (All Connections), 011-4166 0303 (Landline)
 Join us on Facebook at www.facebook.com/havells and share your ways to save the planet!
 CIN - L31900DL1983PLC016304.



Energy Efficient General Purpose
Single Phase Motors



◆ Catalogue 2018

B48, B56, 100S & IEC Series
 CE HAVELLS-LAFERT MOTORS

