

LUKER ELECTRIC TECHNOLOGIES PVT. LTD.

An ISO 9001:2015 & 14001 Certified Company

KERALA

Ph: +91-9746322555, 8089103091,
8129333131, Email: sales@lukerindia.com

TAMILNADU

Ph: +91 9626625533, +91 9994481477,
+91 9633031477, Email: sales@lukerindia.com

KARNATAKA

Ph: +91 9972444001, +91 9986835552,
Email: sales@lukerindia.com

HYDERABAD

Ph: +91 8096122122, +91 7789079444,
Email: hyd@lukerindia.com

MUMBAI

Ph: +91 9820009055,
Email: sales@lukerindia.com

Regd. Office : 34/1912-C1, Mattathil Lane, BTS Road, Kochi-682024, Ernakulam, KERALA
Corp. Office : 2nd Floor, Jain Tower, NH-17 Bypass, Opp. Lulu Mall, Edappally, Kochi-682 024
Ph: +91-8129333131, 8129951122, 9895011400, Email: sales@lukerindia.com

Factory
Tamilnadu : 227, Pollachi Road, Eachanari Village, Coimbatore-641 021, Ph: +91 9994433151, +91 9447140720
: Coimbatore: 7, Chellappa Gounder Street, Kattoor, Coimbatore - 641 009, +91 9626625533, 9994481477, 9633031477
Chennai: No. 11/6, Damodaran Street, Chetpet, Chennai-600031, +91 9994422007

Karnataka : No.202, 2nd Floor, 2nd Main Anchita Arcade, Horamavu Banaswadi, Bangalore-560043, Ph: +91 9972444001
Hyderabad : 106, Babukhans Millennium Centre, Somajiguda, Hyderabad-500016
Ph: +91 040-23416268, 9866077902, 7799079444, Email: hyd@lukerindia.com

Mumbai : 1806, Lodha Supremus, Saki Vihar Road, Opp. M.T.N.L. Building, Andheri (East), Mumbai-400072
Ph: +91 9820009055, +91 9769207676

Ahmedabad : G-102, Smarana Bakeri City, Near Torrent Power, Sonal Cinema Road, Vejalpur, Ahmadabad-380051, Gujarat
Ph: +91 9687300643, Email: sales@lukerindia.com

Representative offices at : Warrangal - 9396990252, 8801142143, Karim Nagar - 8801142143, Kakinada - 9393252573, Mangalore - 7022119165,
Chennai - 9994422007, Salem - 9994447996 / 9994013192, Trichy - 8056180666 / 8248401759, Pondicherry - 9994491117,
Madurai - 7708111815, Pune - 9890696933, Nagpur - 7774038283, Nasik - 7769091911, Baroda - 9687300643, Raipur - 7774038283,
Bhopal - 7774038283, Vijaywada -9502864799, 9848629419, Vishakhapattanam - 9246999368, Goa - 9158159062, Indore - 9329754005,
Surat - 9825506072, Rajkot - 9825506072, Jabalpur - 9329754005, Gwalior - 9329754005, Eluru - 7306613030

Wind can be fun & forceful

Pedestal, Wall & Ventilair Fans

J V Luker, USA
www.lukerindia.com


LUKER[®]



LUKER, J V Luker USA, a brand synonymous with quality across the world offers you the widest range of Pedestal, Wall & Ventilair fans suitable for domestic, commercial and Industrial applications.

Our advanced technology along with the state of the art manufacturing facility generates products with power, strength, precision, reliability with ease of manufacturing and easy maintenance. Powerful motors are the key factor of our product performance in evacuating air at rapid speed. Not only power but our designs and R&D ensure energy efficiency and maintenance free products.

We also provide energy efficient Ventilation solutions with single room DC and EC long life, low energy use extract fan ranges, Mechanical Extract ventilation (MEV) and Mechanical Ventilation with Heat Recovery (MVHR) systems for any type of applications.

Our extensive range of LED lighting products and wide range of Electrical Cables adds to our total solutions for power distribution principally focused in promoting energy conservation technology.

Our door to door service along with **two year guarantee** for our products extends confidence and customer satisfaction.

Our Motto always remains same “**A smile on your face**”.

Pedestal Fans – LPF Series Tempest

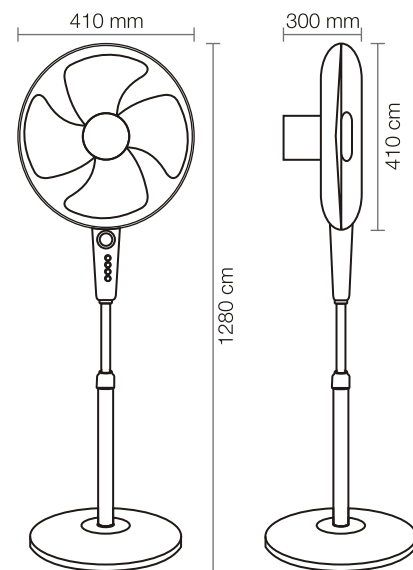


Pedestal Fans – LPF Series TORNADO®



Dimensions (mm)

LPF16S



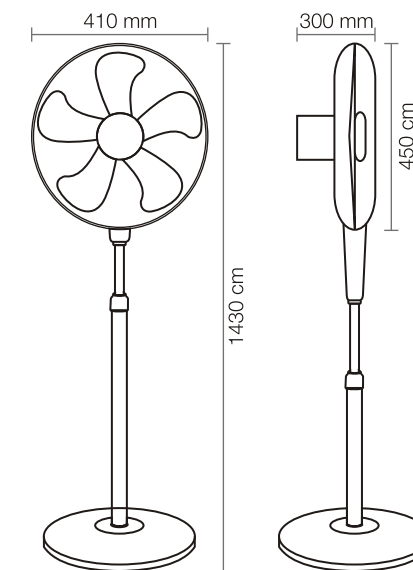
Salient Features

- ◆ High performance double ball bearing motor with 100% copper winding.
- ◆ 3 speeds and Swing control.
- ◆ With detachable grill and easy to clean.
- ◆ Original new ABS plastic.

Specification	LPF16S
Rated Voltage	220 - 240V
Frequency	50
Power	46
RPM	1200
Air Delivery	60
Noise Level	52.5

Dimensions (mm)

LPF18T



Salient Features

- ◆ Heavy Duty High Speed Motor.
- ◆ Double ball bearing with 100% copper winding.
- ◆ 3 speeds and Swing control.
- ◆ With detachable grill and easy to clean.
- ◆ Original new ABS plastic.

Specification	LPF18T
Rated Voltage	220 - 240V
Frequency	50
Power	105
RPM	2100
Air Delivery	119
Noise Level	58.5

Pedestal Fans – LPF Series TORNAD® mini

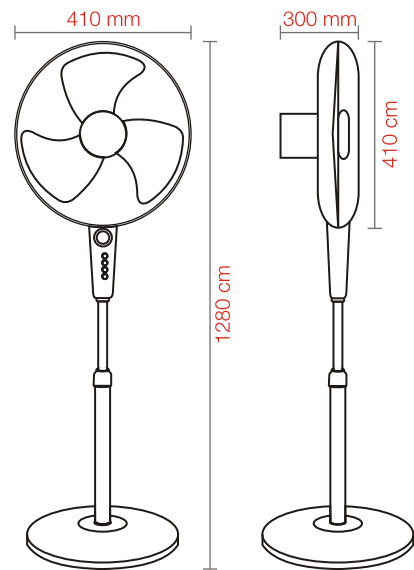


Pedestal Fans – LPF Series TORNAD® Mettalic 20"



Dimensions (mm)

LPF16T

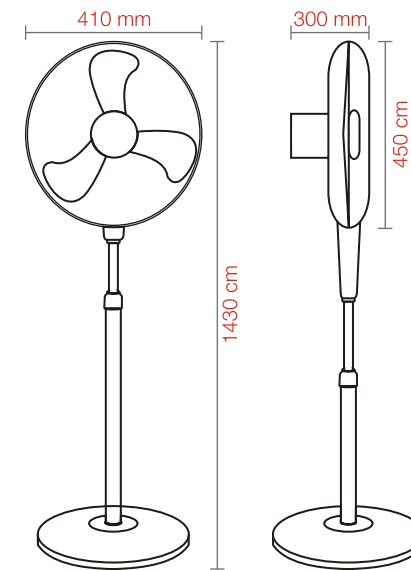


Salient Features

- ◆ High performance double ball bearing motor with 100% copper winding.
- ◆ 3 speeds and Swing control.
- ◆ With detachable grill and easy to clean.
- ◆ Original new ABS plastic.

Dimensions (mm)

LPF20MT



Salient Features

- ◆ Heavy Duty High Speed Motor.
- ◆ Double ball bearing with 100% copper winding.
- ◆ 3 speeds and Swing control.
- ◆ With detachable grill and easy to clean.
- ◆ Original new ABS plastic.

mini

Specification	LPF16T
Rated Voltage	220 - 240V
Frequency	50
Power	55
RPM	1650
Air Delivery	60
Noise Level	52.5

Specification	LPF20MT
Rated Voltage	220 - 240V
Frequency	50
Power	80
RPM	2650
Air Delivery	119
Noise Level	58.5

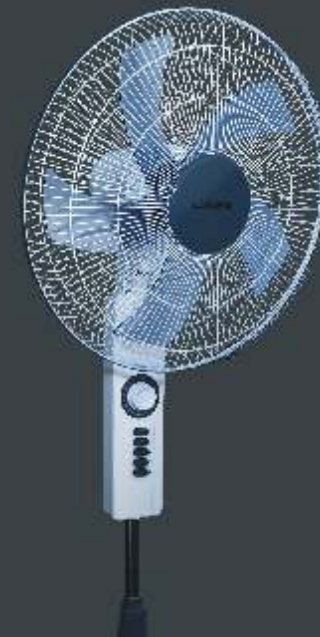
Pedestal Fans – LPF Series

Willy



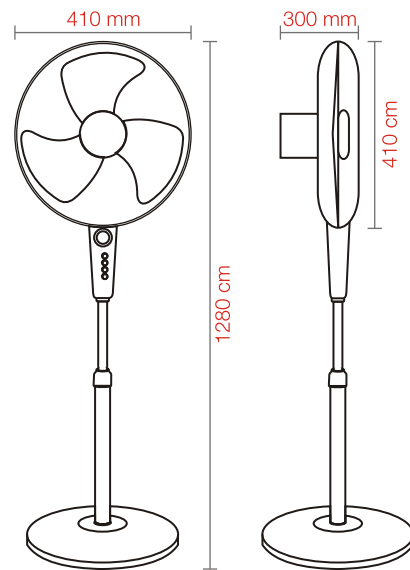
Pedestal Fans – LPF Series

Zonda



Dimensions (mm)

LPF16W



Salient Features

- ◆ High performance double ball bearing motor with 100% copper winding.
- ◆ 3 speeds and Swing control.
- ◆ With detachable grill and easy to clean.
- ◆ Original new ABS plastic.

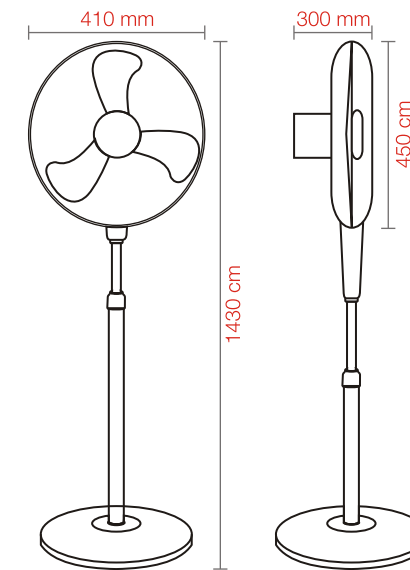
LPF16W
400mm
50W
1300
2

Retail Price ₹2680

Specification	LPF16W
Rated Voltage	220 - 240V
Frequency	50
Power	50
RPM	1300
Air Delivery	60
Noise Level	52.5

Dimensions (mm)

LPF18Z



Salient Features

- ◆ Heavy Duty High Speed Motor.
- ◆ Double ball bearing with 100% copper winding.
- ◆ 3 speeds and Swing control.
- ◆ With detachable grill and easy to clean.
- ◆ Original new ABS plastic.

Specification	LPF18Z
Rated Voltage	220 - 240V
Frequency	50
Power	55
RPM	1400
Air Delivery	119
Noise Level	58.5

Specification	LPF18Z
Sweep	450mm
Power	55W
RPM	1400
Std. Packing	2

Pedestal Fans – LPF Series

Buster



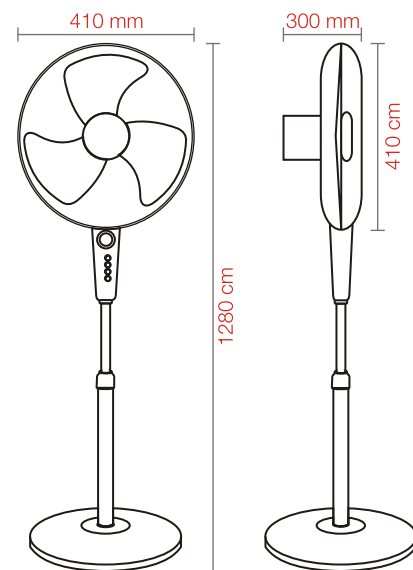
Table Fans – LTW

Mistral



Dimensions (mm)

LPF18B



Salient Features

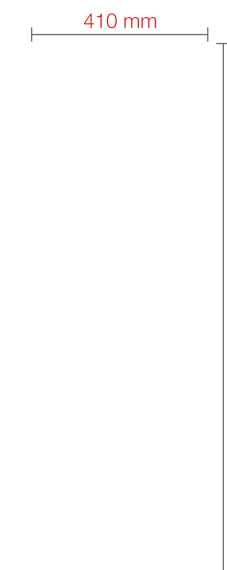
- ◆ High performance double ball bearing motor with 100% copper winding.
- ◆ 3 speeds and Swing control.
- ◆ With detachable grill and easy to clean.
- ◆ Original new ABS plastic.

Specification	LPF18B
Rated Voltage	220 - 240V
Frequency	50
Power	55
RPM	1400
Air Delivery	60
Noise Level	52.5

Specification	LPF18B
Sweep	450mm
Power	55W
RPM	1400
Std. Packing	2
List Price / Max. Retail Price	₹3480

Dimensions (mm)

LPF18T



Salient Features

- ◆ Heavy Duty High Speed Motor.
- ◆ Double ball bearing with 100% copper winding.
- ◆ 3 speeds and Swing control.
- ◆ With detachable grill and easy to clean.
- ◆ Original new ABS plastic.

Specification	LTW10
Rated Voltage	220 - 240V
Frequency	50
Power	35
RPM	2600
Air Delivery	119
Noise Level	58.5

Specification	LTW10
Sweep	250mm
Power	35W
RPM	2600
Std. Packing	8
List Price / Max. Retail Price	₹1980

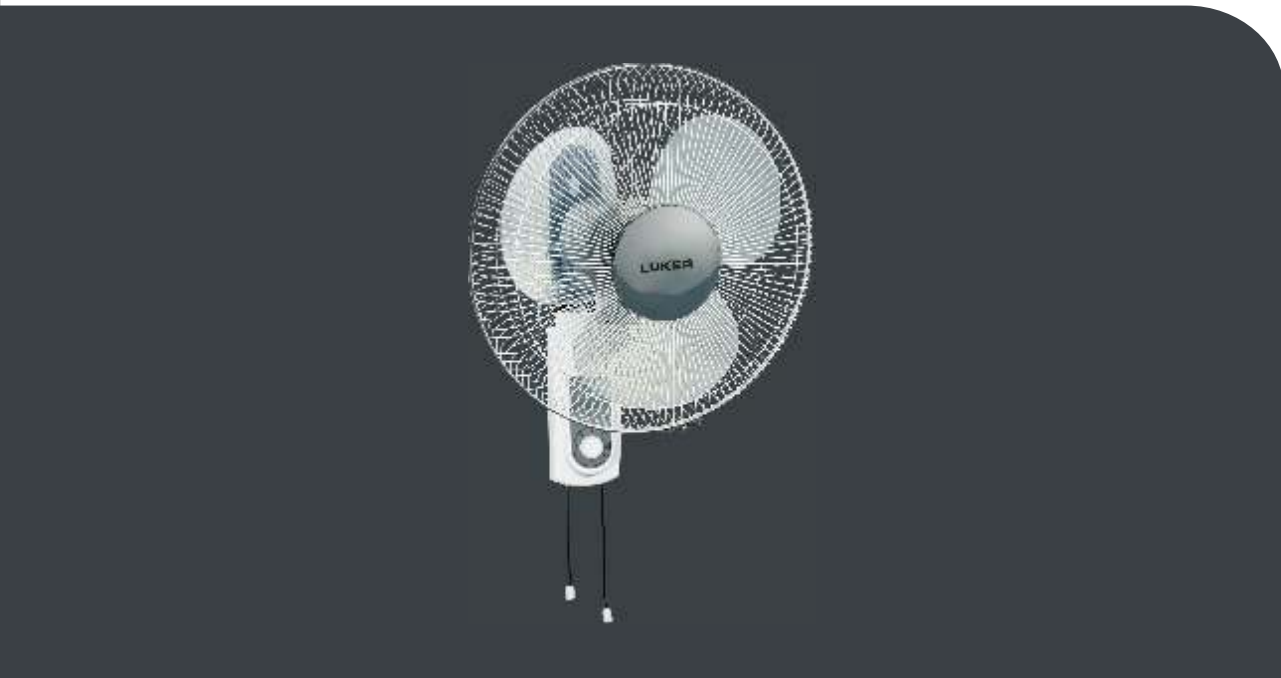
Wall Fans – LWF Series

Willy



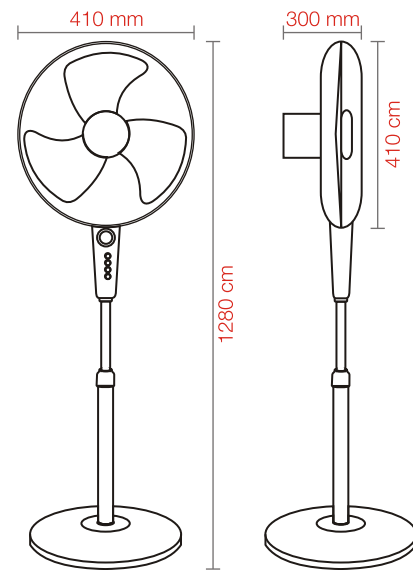
Wall Fans – LWF Series

TORNAD® Wall



Dimensions (mm)

LWF16W

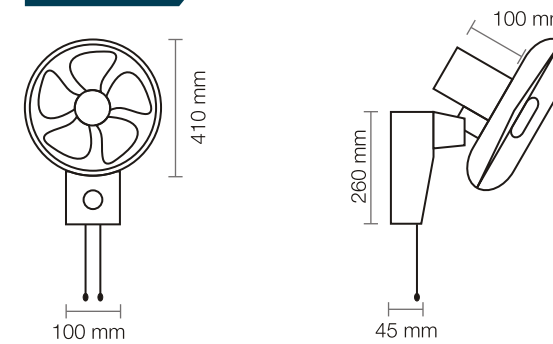


Salient Features

- ◆ High performance double ball bearing motor with 100% copper winding.
- ◆ 3 speeds and Swing control.
- ◆ With detachable grill and easy to clean.
- ◆ Original new ABS plastic.

Dimensions (mm)

LWFH18R



Salient Features

- ◆ High Performance double ball bearing motor with 100% copper winding.
- ◆ 3 speeds and Swing control.
- ◆ With detachable grill and easy to clean.
- ◆ Original new PP Plastic.

Specification	LWF16W
Rated Voltage	220 - 240V
Frequency	50
Power	50
RPM	1300
Air Delivery	60
Noise Level	52.5

Specification	LWFH18R
Rated Voltage	220 - 240V
Frequency	50
Power	105
RPM	2100
Air Delivery	119
Noise Level	52.5

Willy

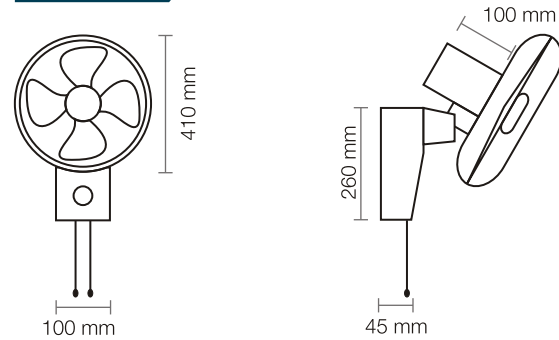
Specification	LWF16W
Sweep	400mm
Power	50W

Wall Fans – LWF Series Phoenix



Dimensions (mm)

LWF16P



Salient Features

- ◆ High Performance double ball bearing motor with 100% copper winding.
- ◆ 3 speeds and Swing control.
- ◆ With detachable grill and easy to clean.
- ◆ Original new PP Plastic.

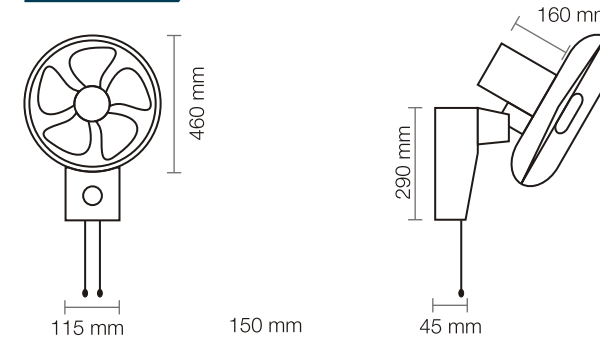
Specification	LWF16P
Rated Voltage	220 - 240V
Frequency	50
Power	46
RPM	1200
Air Delivery	56
Noise Level	52.5

Wall Fans – LWL Series Phoenix mini



Dimensions (mm)

LWL12

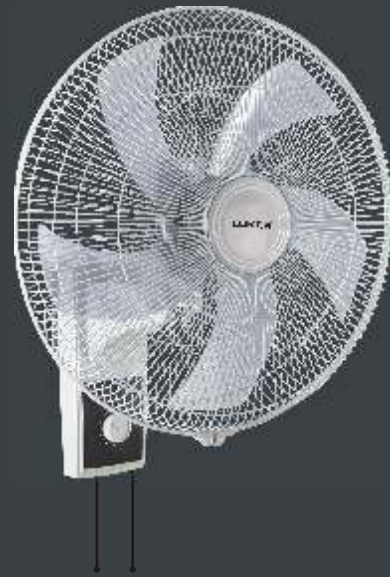


Salient Features

- ◆ Heavy Duty High Speed Motor.
- ◆ Double ball bearing with 100% copper winding.
- ◆ 3 speeds and Swing control
- ◆ With detachable grill and easy to clean
- ◆ Original new ABS plastic

Specification	LWL12
Rated Voltage	220 - 240V
Frequency	50
Power	45
RPM	1360
Air Delivery	55
Noise Level	55.7

Wall Fans – LWF Series Flamingo

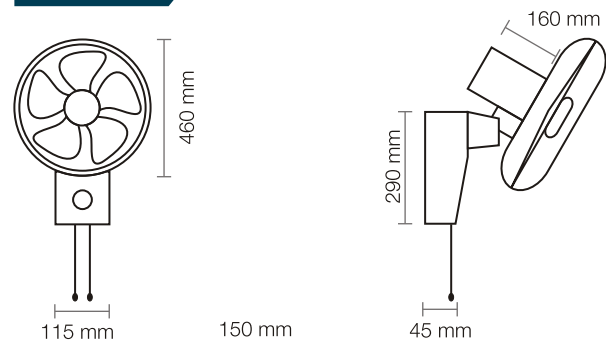


Wall Fans – LWF Series Flamingo Mettalic



Dimensions (mm)

LWF18F

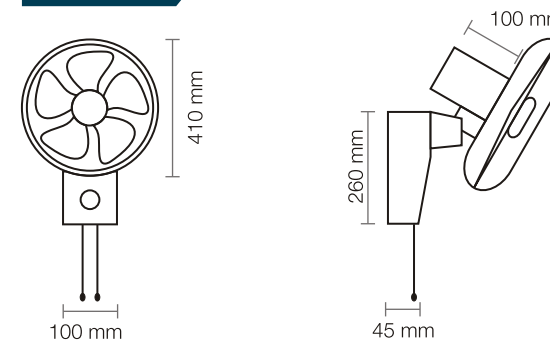


Salient Features

- ◆ Heavy Duty High Speed Motor.
- ◆ Double ball bearing with 100% copper winding.
- ◆ 3 speeds and Swing control
- ◆ With detachable grill and easy to clean
- ◆ Original new ABS plastic

Dimensions (mm)

LWFH18R



Salient Features

- ◆ High Performance double ball bearing motor with 100% copper winding.
- ◆ 3 speeds and Swing control.
- ◆ With detachable grill and easy to clean.
- ◆ Original new PP Plastic.

Specification	LWF18F
Rated Voltage	220 - 240V
Frequency	50
Power	60
RPM	1540
Air Delivery	71.5
Noise Level	55.7

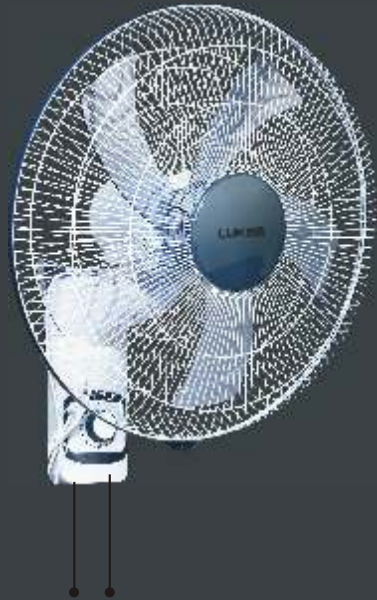
Specification	LWF18M
Rated Voltage	220 - 240V
Frequency	50
Power	90
RPM	2200
Air Delivery	119
Noise Level	52.5

Specification	LWF18M
Sweep	450mm
Power	90W
RPM	2200
Std. Packing	2
List Price / Max. Retail Price	₹4390

Wall Fans – LWF Series *Zonda*

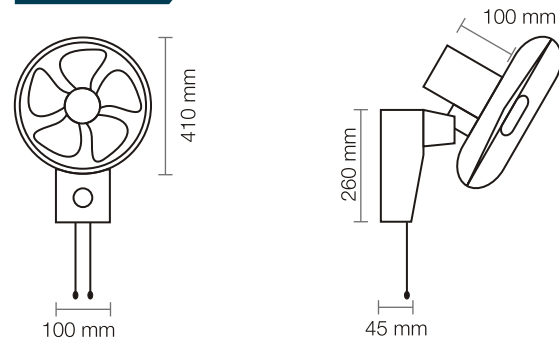


Wall Fans – LWF Series *Buster*



Dimensions (mm)

LWFH18R

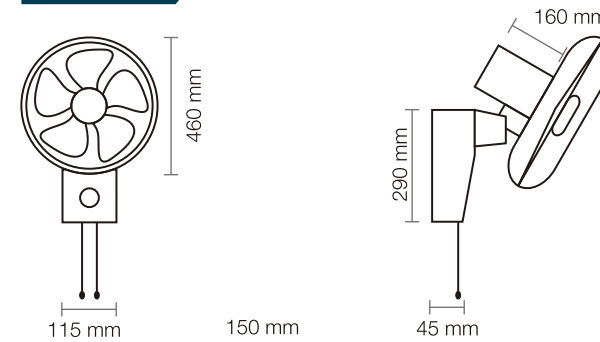


Salient Features

- ◆ High Performance double ball bearing motor with 100% copper winding.
- ◆ 3 speeds and Swing control.
- ◆ With detachable grill and easy to clean.
- ◆ Original new PP Plastic.

Dimensions (mm)

LWF18F



Salient Features

- ◆ Heavy Duty High Speed Motor.
- ◆ Double ball bearing with 100% copper winding.
- ◆ 3 speeds and Swing control
- ◆ With detachable grill and easy to clean
- ◆ Original new ABS plastic

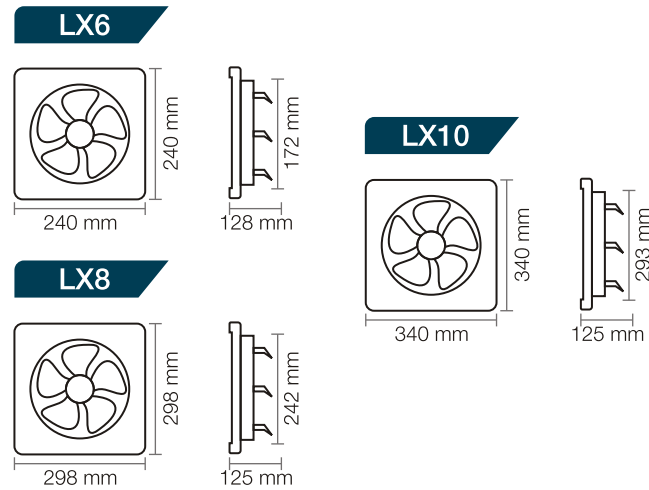
Specification	LWF18Z
Rated Voltage	220 - 240V
Frequency	50
Power	55
RPM	1400
Air Delivery	119
Noise Level	52.5

Specification	LWF18B
Rated Voltage	220 - 240V
Frequency	50
Power	55
RPM	1400
Air Delivery	71.5
Noise Level	55.7

Ventil Air – LX Series with Front Grill and Back Shutter Fans



Dimensions (mm)



Salient Features

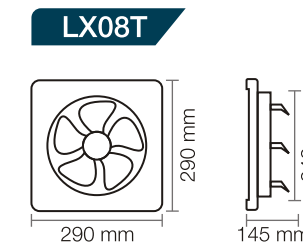
- ◆ 100% Pure Copper winding for motors with least heating and maximum extended life.
- ◆ LG ABS Plastic Body which sturdy and long life.
- ◆ Detachable type grill easy to remove and clean.
- ◆ Ultra thin strong panel design suiting to any decor.

Specification	LX6	LX8	LX10
Rated Voltage	220 - 240 V	220 - 240 V	220 - 240 V
Frequency	50	50	50
Power	24	28	38
RPM	1400	1200	1100
Air Delivery	300	480	760
Noise Level	38	40	42

Ventil Air – LX Series with In & Out Fans



Dimensions (mm)



Salient Features

- ◆ 100% Pure Copper winding for motors with least heating and maximum extended life.
- ◆ More thicker Metal Body which sturdy and durable use.
- ◆ Detachable type oil-cup easy to remove and clean.
- ◆ Ultra thin strong panel design suiting to any decor.
- ◆ Built in thermal cut off protection in motor.
- ◆ Excellent wood finish

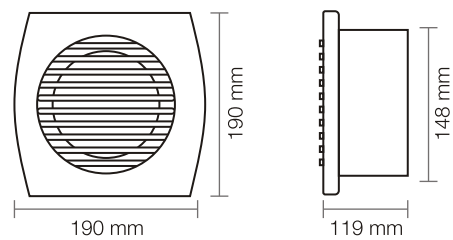
Specification	LX08T
Rated Voltage	220 - 240V
Frequency	50
Power	28
RPM	1200
Air Delivery	480
Noise Level	40

Ventil Air – LYG Series Open Type Ventilation Fans



Dimensions (mm)

LYGL6



Salient Features

- ◆ Ultra thin strong panel design suiting to any decor.
- ◆ Built in thermal cut off protection in motor.
- ◆ 100% pure copper winding for motors with least heating and maximum extended life.
- ◆ LG ABS Plastic body which sturdy and long life.
- ◆ Optionals like circle ring and back dropper available.

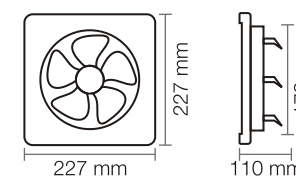
Specification	LYGL6
Rated Voltage	220 - 240V
Frequency	50
Power	20
RPM	1950
Air Delivery	260
Noise Level	40

Ventil Air – LXW Series Back Shutter Fans with Wooden finish

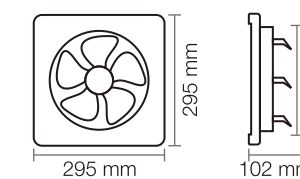


Dimensions (mm)

LXW6



LXW8



Salient Features

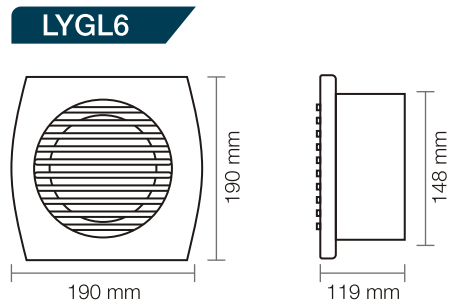
- ◆ 100% Pure Copper winding for motors with least heating and maximum extended life.
- ◆ More thicker Metal Body which sturdy and durable use.
- ◆ Detachable type oil-cup easy to remove and clean.
- ◆ Ultra thin strong panel design suiting to any decor.
- ◆ Built in thermal cut off protection in motor.
- ◆ Excellent wood finish

Specification	LXW6	LXW8
Rated Voltage	220 - 240V	220 - 240V
Frequency	50	50
Power	24	28
RPM	1350	1200
Air Delivery	290	480
Noise Level	37	40

Ventil Air – LYG Series with Front Grill and Back Shutter Fans



Dimensions (mm)



Salient Features

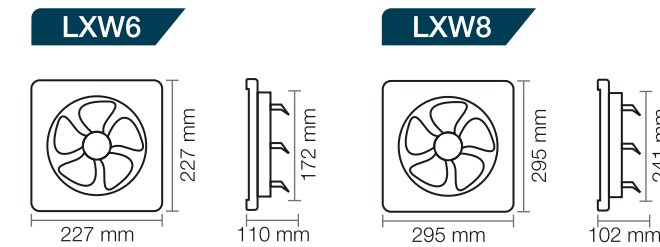
- ◆ Ultra thin strong panel design suiting to any decor.
- ◆ Built in thermal cut off protection in motor.
- ◆ 100% pure copper winding for motors with least heating and maximum extended life.
- ◆ LG ABS Plastic body which sturdy and long life.
- ◆ Optionals like circle ring and back dropper available.

Specification	LYGL04
Rated Voltage	220 - 240V
Frequency	50
Power	12
RPM	2200
Air Delivery	260
Noise Level	40

Ventil Air – LYG Series with Front Grill and Back Shutter Fans



Dimensions (mm)



Salient Features

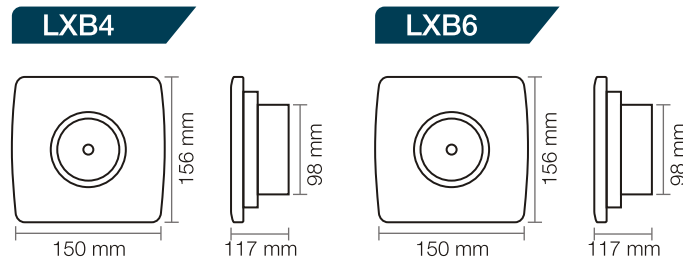
- ◆ 100% Pure Copper winding for motors with least heating and maximum extended life.
- ◆ More thicker Metal Body which sturdy and durable use.
- ◆ Detachable type oil-cup easy to remove and clean.
- ◆ Ultra thin strong panel design suiting to any decor.
- ◆ Built in thermal cut off protection in motor.
- ◆ Excellent wood finish

Specification	LYGL08
Rated Voltage	220 - 240V
Frequency	50
Power	18
RPM	1480
Air Delivery	480
Noise Level	40

Ventil Air – LXB Series Architectural Direct Ventilair Fans



Dimensions (mm)



Salient Features

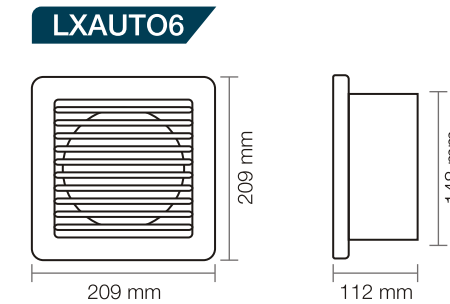
- ◆ Aesthetically best design, very smooth opening and closing. Noise free.
- ◆ Europe type with Ultra-thin strong panel design.
- ◆ 100% pure Copper winding for motors with least heating and maximum extended life.
- ◆ Built in Thermal Cut Off Protection in motor.
- ◆ LG ABS plastic with smooth surface.

Specification	LXB4	LXB6	LXB6-i
Rated Voltage	220 - 240V	220 - 240V	220 - 240V
Frequency	50	50	50
Power	12	24	24
RPM	2100	2300	1800
Air Delivery	80	220	220
Noise Level	37	37	37

Ventil Air – LXA Series Automatic Front Shutter Fans



Dimensions (mm)



Salient Features

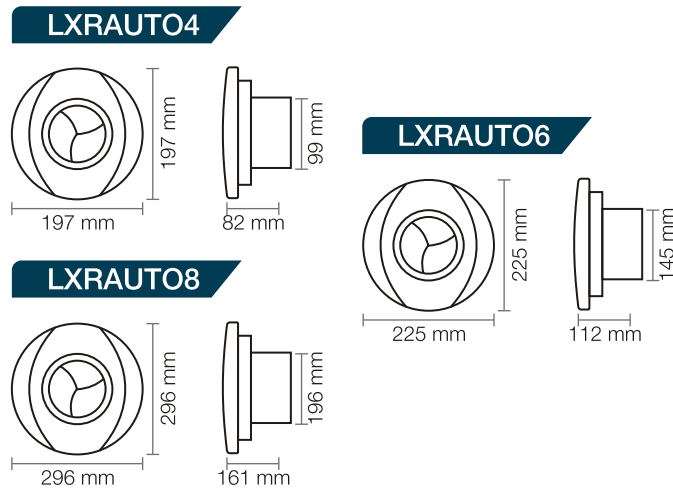
- ◆ Front Shutter fully hydraulic operation which makes it very smooth and steady.
- ◆ High tech Thermal Switch for control.
- ◆ LG ABS Plastic Body which sturdy and long life.
- ◆ 100% Pure Copper winding for motors with least heating and maximum extended life.
- ◆ Built in Thermal Cut Off Protection in motor.

Specification	LXAUTO6
Rated Voltage	220 - 240V
Frequency	50
Power	20
RPM	1895
Air Delivery	260
Noise Level	40

Ventil Air – LXR Series Architectural Auto Opening Ventilair Fans



Dimensions (mm)



Salient Features

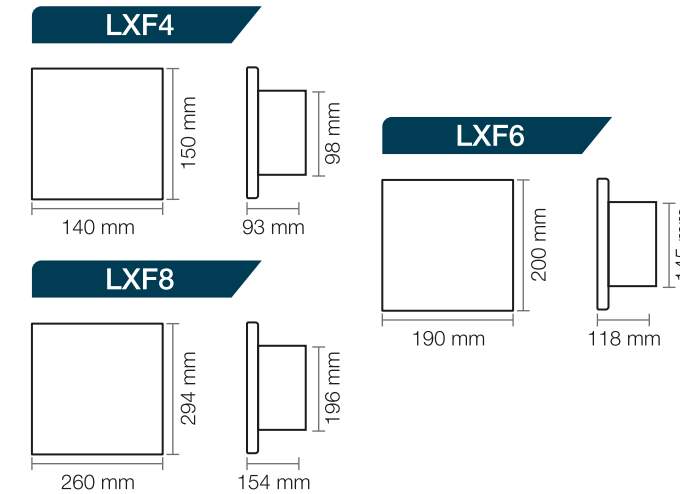
- ◆ LG First Grade ABS Plastic body which sturdy and long life.
- ◆ 100% pure Copper winding for motors with least heating and maximum extended life.
- ◆ Built in Thermal Cut Off Protection in motor.

Specification	LXRAUTO4	LXRAUTO6	LXRAUTO8
Rated Voltage	220 - 240 V	220 - 240 V	220 - 240 V
Frequency	50	50	50
Power	15	25	25
RPM	2300	1800	1700
Air Delivery	80	160	250
Noise Level	30	33	39

Ventil Air – LXF Series Architectural Indirect Ventilair Fans



Dimensions (mm)

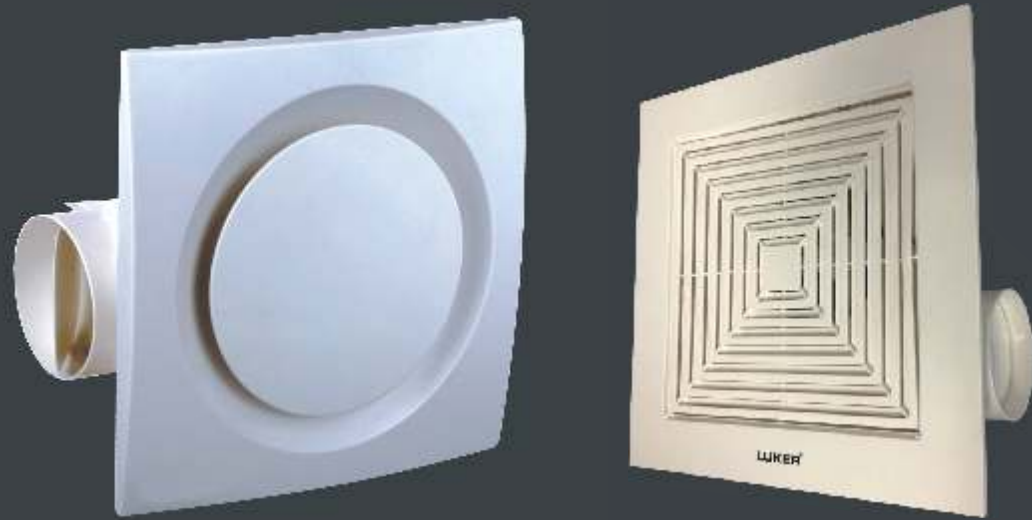


Salient Features

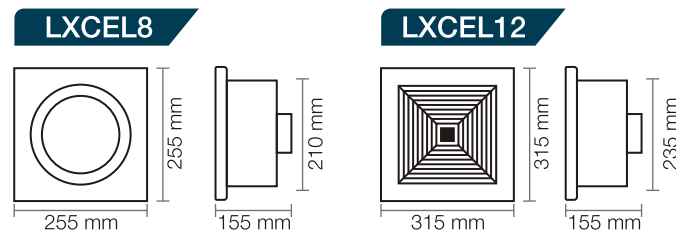
- ◆ Concealed type of opening. Invisible duct with excellent aesthetical appearance. Noise free.
- ◆ Europe type with Ultra-thin strong panel design.
- ◆ 100% pure Copper winding for motors with least heating and maximum extended life.
- ◆ Built in Thermal Cut Off Protection in motor.
- ◆ LG ABS plastic with smooth surface.

Specification	LXF4	LXF6	LXF8
Rated Voltage	220 - 240 V	220 - 240 V	220 - 240 V
Frequency	50	50	50
Power	15	25	25
RPM	1800	1700	1700
Air Delivery	70	210	300
Noise Level	30	35	39

Ventil Air – LXCEL Series Tubular Ventilating Ceiling Mounted Fans



Dimensions (mm)



Salient Features

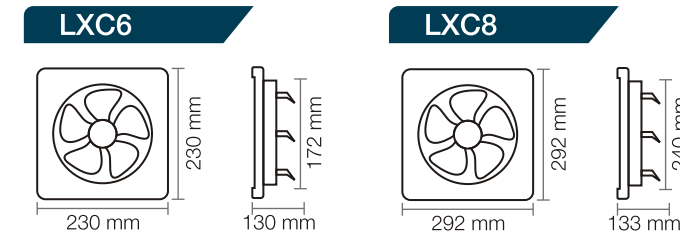
- ◆ Beautiful and aesthetically designed to suite any ceiling.
- ◆ Built in thermal cut off protection in motor.
- ◆ 100% pure copper winding for motors with least heating and maximum extended life.
- ◆ LG ABS plastic body which sturdy and long life.
- ◆ All optionals available to fix on any ceiling.

Specification	LXCEL8	LXCEL12
Rated Voltage	220 - 240V	220 - 240V
Frequency	50	50
Power	21	36
RPM	1050	1350
Air Delivery	120	300
Noise Level	38	42

Exhaust Fans – LXC Series Classic Exhaust Fans



Dimensions (mm)



Salient Features

- ◆ Noiceless
- ◆ Sleek Design
- ◆ Rust proof body
- ◆ Auto Shutter
- ◆ CRCA HI PERM Lamination
- ◆ Good Air Flow

Specification	LXC6	LXC8
Rated Voltage	220 - 240 V	220 - 240 V
Frequency	50	50
Power	30	35
RPM	1300	1300
Air Delivery	250	450
Noise Level	34	42

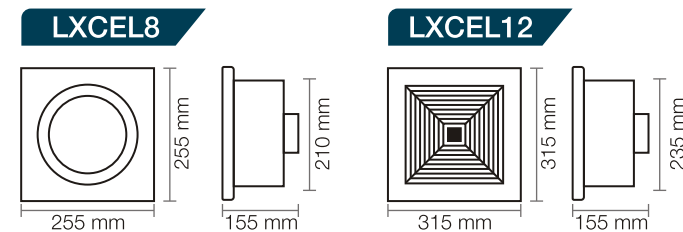
Ventil Air – LXSMT Series Classic Series Fans



Exhaust Fans – LXC Series Classic Exhaust Fans



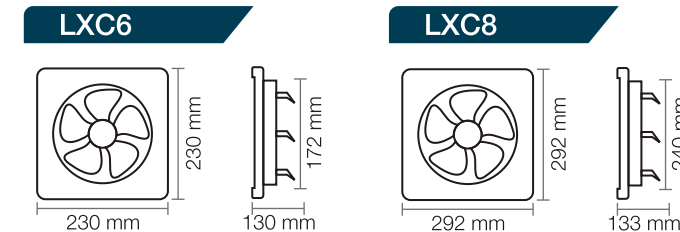
Dimensions (mm)



Salient Features

- ◆ Beautiful and aesthetically designed to suite any ceiling.
- ◆ Built in thermal cut off protection in motor.
- ◆ 100% pure copper winding for motors with least heating and maximum extended life.
- ◆ LG ABS plastic body which sturdy and long life.
- ◆ All optionals available to fix on any ceiling.

Dimensions (mm)



Salient Features

- ◆ Noiceless
- ◆ Sleek Design
- ◆ Rust proof body
- ◆ Auto Shutter
- ◆ CRCA HI PERM Lamination
- ◆ Good Air Flow

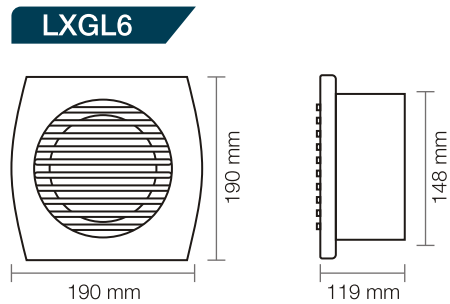
Specification	LXSMT04
Rated Voltage	220 - 240V
Frequency	50
Power	12
RPM	2300
Air Delivery	300
Noise Level	42

Specification	LXSMT06	LXSMT08
Rated Voltage	220 - 240 V	220 - 240 V
Frequency	50	50
Power	18	20
RPM	1630	1300
Air Delivery	250	450
Noise Level	34	42

Ventil Air – LXGL Series Classic Series Fans



Dimensions (mm)



Salient Features

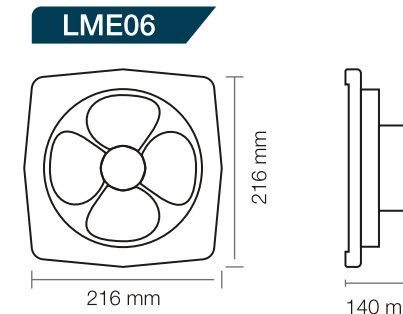
- ◆ Ultra thin strong panel design suiting to any decor.
- ◆ Built in thermal cut off protection in motor.
- ◆ 100% pure copper winding for motors with least heating and maximum extended life.
- ◆ LG ABS Plastic body which sturdy and long life.
- ◆ Optionals like circle ring and back dropper available.

Specification	LXGL06
Rated Voltage	230V
Frequency	50
Power	25
RPM	1750
Air Delivery	220
Noise Level	40

Exhaust Fans – LME Series Metallic Exhaust Fans



Dimensions (mm)



Salient Features

- ◆ Maximum air delivery vs power consumed.
- ◆ Industrial purpose strong powerful motor.
- ◆ Aerodynamically balanced metal blades.
- ◆ Aesthetically designed corrosion free metallic & Ivory finish.
- ◆ Rust proof bird protection wire guards.
- ◆ Suitable for multiple domestic and industrial applications.

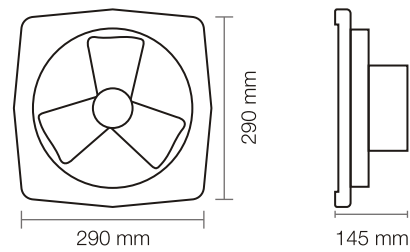
Specification	LME06
Rated Voltage	220 - 240 V
Frequency	50
Power	45 - 50
RPM	2500
Air Delivery	550
Noise Level	40-45

Exhaust Fans – LME Series Metallic Exhaust Fans



Dimensions (mm)

LME09



Salient Features

- ◆ Maximum air delivery vs power consumed.
- ◆ Industrial purpose strong powerful motor.
- ◆ Aerodynamically balanced metal blades.
- ◆ Aesthetically designed corrosion free metallic & Ivory finish.
- ◆ Rust proof bird protection wire guards.
- ◆ Suitable for multiple domestic and industrial applications.

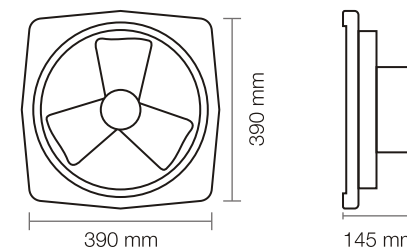
Specification	LME09
Rated Voltage	220 - 240V
Frequency	50
Power	38 - 42
RPM	1400
Air Delivery	800
Noise Level	40-45

Exhaust Fans – LME Series Metallic Exhaust Fans



Dimensions (mm)

LME12



Salient Features

- ◆ Maximum air delivery vs power consumed.
- ◆ Industrial purpose strong powerful motor.
- ◆ Aerodynamically balanced metal blades.
- ◆ Aesthetically designed corrosion free metallic & Ivory finish.
- ◆ Rust proof bird protection wire guards.
- ◆ Suitable for multiple domestic and industrial applications.

Specification	LME12
Rated Voltage	220 - 240 V
Frequency	50
Power	50 - 55
RPM	1400
Air Delivery	1200
Noise Level	45-50

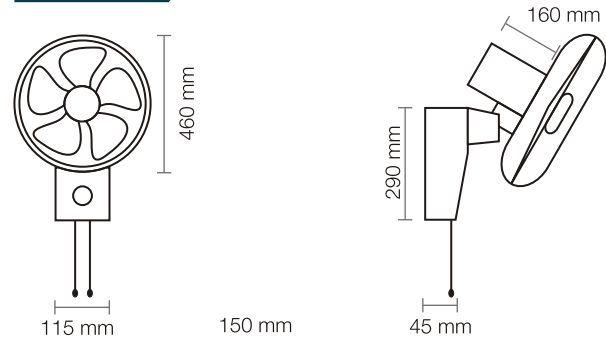
Orbit Fans

Wall Fan – 360° Cyclic Motion



Dimensions (mm)

LWF18F



Salient Features

- ◆ Heavy Duty High Speed Motor.
- ◆ Double ball bearing with 100% copper winding.
- ◆ 3 speeds and Swing control
- ◆ With detachable grill and easy to clean
- ◆ Original new ABS plastic

Specification	LWFCF16
Rated Voltage	220 - 240V
Frequency	50
Power	55
RPM	1400
Air Delivery	71.5
Noise Level	55.7