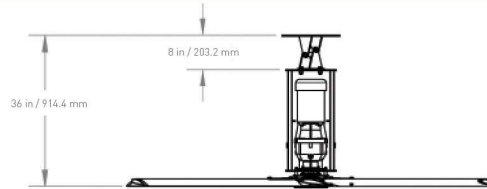


The ultimate utility fan, the MacroAir AirLegacy industrial fan uses tried and true technology which is proven to last over time. The AirLegacy uses a reliable gearbox-driven power unit to provide huge airflow at a great value. With basic features and accessories, the AirLegacy industrial fan will meet any budget while performing better than any fan in its class.



STANDARD FEATURES

- Integrated Gearmotor
- Clearcoat anodized airfoil blades
- Forward, reverse, variable speed
- Variable frequency drive- basic fire alarm integration
- Analog remote for one-to-one fan control
- Safety Components: safety cable, Universal Mount with guy wires, blade retainer links



Intertek
Conforms to UL Std 507
Certified to CSA Std C22.2 No. 113

STEP 1: DIAMETERS

Item #	Diameter	Qty
MZ08-0100-MA	8 ft Power Unit, 1.0 HP	
MZ10-0100-MA	10 ft Power Unit, 1.0 HP	
MZ12-0100-MA	12 ft Power Unit, 1.0 HP	
MZ14-0100-MA	14 ft Power Unit, 1.0 HP	
MZ16-0100-MA	16 ft Power Unit, 1.0 HP	
MZ18-0100-MA	18 ft Power Unit, 1.0 HP	
MZ20-0150-MA	20 ft Power Unit, 1.5 HP	
MZ24-0200-MA	24 ft Power Unit, 2.0 HP	

STEP 2: VOLTAGE

Item #	Voltage Options	Qty
1xx1-MA*	100-120V Single Phase, 50/60 Hz	
2xx1-MA	208-240V Single Phase, 50/60 Hz	
2xx3-MA	208-240V Three Phase, 50/60 Hz	
4xx3-MA	480V Three Phase, 50/60 Hz	
6xx3-MA	600V Three Phase, 50/60 Hz	

xx=horsepower (Use 10,15, or 20 for 1 HP, 1.5HP and 2.0 HP respectively. HP based on diameter selection from step 1 above)

STEP 3: MOUNTING

Item #	Mount Options	Qty
60-90006-00	AirLegacy Universal Mount: I-beam Hardware Kit (Standard)	
60-40041-00	Glulam Hardware Kit (for Universal Mount)	

STEP 4: CONTROLS

Item #	Description	Qty
30-90301-00	Analog Remote Assembly (Standard)	

*Only available for 8ft-18ft

OPTIONAL: EXTENSIONS

Item #	Length (ft/in)	Length (m)	Qty
51-80100-02	1 ft	0.30 m	
51-80200-02	2 ft	0.61 m	
51-80300-02	3 ft	0.91 m	
51-80400-02	4 ft	1.22 m	
51-80500-02	5 ft	1.52 m	
51-80600-02	6 ft	1.82 m	
51-80700-02	7 ft	2.13 m	
51-80800-02	8 ft	2.44 m	
51-80900-02	9 ft	2.74 m	
(51-8ftin-02)	Customization fee		

AirLegacy EXTENSIONS are an additional drop tube attached to the top of the frame. Without an Extension, the total drop for an AirLegacy fan is 3 ft (fan, frame, and mount)

AirLegacy fans can only be connected with a single-piece of custom length extension.

ft = length in **feet** (i.e. 04 for 4 feet, 10 for 10 feet)

in = length in **inches** (i.e. 05 for 5 inches, 10 for 10 inches)

To order Extension greater than 10 ft, please call MacroAir.

Do you have a custom color in mind? Custom powder coating is available for all our blades, mounts and drop lengths.

OPTIONAL: POWDER COATING

Item #	Diameter	Estimated Lead Time	Qty
60-10008-02	8 ft / 2.44 m	15 business days	
60-10010-02	10 ft / 3.05 m	15 business days	
60-10012-02	12 ft / 3.66 m	15 business days	
60-10014-02	14 ft / 4.27 m	15 business days	
60-10016-02	16 ft / 4.88 m	15 business days	
60-10018-02	18 ft / 5.49 m	15 business days	
60-10020-02	20 ft / 6.07 m	15 business days	
60-10024-02	24 ft / 7.32 m	15 business days	

Special Finishes

Mounting Hardware & Frame	All Diameters	15 business days	
Extension (where applicable)	All Diameters	15 business days	

For powder coating colors, please refer to Appendix A.



ADDITIONAL OPTIONS

Item #	Description	Qty
-FD	Food-Grade / Stainless Steel - 1.0 HP*	
-EX	Explosion Proof Motor -1.0 HP* (Separate Motor and Gearbox)	

*Only Available for 8ft-18ft

BASIC SPECIFICATIONS

AIRFOIL DIAMETER	8ft	10ft	12ft	14ft	16ft	18ft	20ft	24ft	
Airfoil Style	7.375" Extruded Anodized Aluminum Airfoil								
Number of Airfoils	6								
PERFORMANCE									
Max Speed	204 RPM	162 RPM	129 RPM	103 RPM	84 RPM	74 RPM	70 RPM	65 RPM	
Recommended Spacing*	50 ft [15.2 m]	60 ft [18.3 m]	65 ft [19.8 m]	70 ft [21.3 m]	85 ft [25.9 m]	90 ft [27.4 m]	100 ft [30.5 m]	110 ft [33.5 m]	
Max Affected Area	3,600 ft ² [336 m ²]	6,000 ft ² [557 m ²]	8,000 ft ² [743 m ²]	10,000 ft ² [929 m ²]	12,000 ft ² [1,115 m ²]	14,000 ft ² [1,301 m ²]	18,000 ft ² [1,673 m ²]	20,000 ft ² [1,858 m ²]	
Sound Level dBA at Max Speed**	58	58	58	58	58	58	61	61	
Carrier/Switching Frequency**	10,000Hz							8,000Hz	
HANGING REQUIREMENTS									
Hanging Weight	171 lbs [77.56 kg]	178 lbs [80.74 kg]	189 lbs [85.73 kg]	195 lbs [88.45 kg]	202 lbs [91.63 kg]	208 lbs [94.35 kg]	217 lbs [98.43 kg]	270 lbs [122.5 kg]	
Max Torque	18 ft-lb [24 Nm]	24 ft-lb [33 Nm]	31 ft-lb [42 Nm]	43 ft-lb [58 Nm]	40 ft-lb [54 Nm]	58 ft-lb [79 Nm]	88 ft-lb [119 Nm]	126 ft-lb [171 Nm]	
Max Thrust in Reverse	4 lbs [1.8 kg]	6 lbs [2.7 kg]	9 lbs [4.1 kg]	14 lbs [6.4 kg]	15 lbs [6.8 kg]	21 lbs [9.5 kg]	31 lbs [14.1 kg]	44 lbs [20 kg]	
MOTOR AND DRIVE TRAIN									
Motor Type	AC induction Motor with a sealed 2-stage helical gear box								
Equivalent Horsepower Rating	1.0 HP (8-18ft) / 1.5 HP (20ft) / 2.0 HP (24ft)								
Operating Temp Range	16°F [-10C°] - 104 F° [40C°]								
MAX AMP DRAW									
100-120V Single Phase	16.6A	16.6A	16.6A	16.6A	16.6A	16.6A	N/A	N/A	
208-240V Single Phase	20.2A	20.2A	20.2A	20.2A	20.2A	20.2A	20.2A	20.2A	
208-240V Three Phase	10.8A	10.8A	10.8A	10.8A	10.8A	10.8A	10.8A	10.8A	
480V Three Phase	4.3A	4.3A	4.3A	4.3A	4.3A	4.3A	4.3A	4.3A	
600V Three Phase	2A	2A	2A	2A	2A	2A	N/A	N/A	
POWER AND CONTROLS									
Power Source	Single Phase 100-120 VAC 50/60 Hz / Single Phase 208-240 VAC 50/60 Hz / Three Phase 208-240 VAC 50/60 Hz / Three Phase 480 VAC 50/60 Hz / Three Phase 600 VAC 50/60 Hz								
Control Options	Analog Remote								
INSTALLATION									
Mounting Hardware	Universal Mount Hardware								
Extension	Optional extensions are available in 1 ft increments; all drop lengths require guy wires								
RATINGS AND COMPLIANCE									
Fire and Sprinkler	NFPA Compliant								
Wash Down Duty Rating***	IP55								
Certifications	ETL/INTERTEK - Conforms to UL Std 507 / Certified to CSA Std C22.2 No. 113								

*For spacing between fan units based on the dimensions of a specific space please refer to <https://macroairfans.com/airviz>.

**Sound testing taken with the sensor 5 ft above the ground and 20 ft from the center of the fan at 20 ft high. Carrier frequency will be audible to some listeners and is considered normal during operation. For more information on fan selection with regard to decible level and carrier frequency, please see page XXXX.

***Applicable to the fan unit only, does not include controller and control panel.

Section 23 34 39 – High Volume, Low Speed Propeller Fans**MacroAir AirLegacy HVLS Fans**

Model Options: MZ08-0100-MA, MZ10-0100-MA, MZ12-0100-MA, MZ14-0100-MA, MZ16-0100-MA, MZ18-0100-MA, MZ20-0150-MA, MZ24-0200-MA

PART 1 GENERAL**1.1 SUMMARY**

- A. Section Includes
 - 1. The large diameter ceiling fan is the model scheduled with the performance capabilities expressed. Included with the ceiling fan will be the select mounting hardware relevant to the model and application space and MacroAir analog controller for speed control. The MacroAir fan will provide thorough, energy efficient air movement to achieve thermal comfort.
- B. Work Summary
 - 1. Any and all work outside the scope of the installation guide shall be outsourced. Factory trained installers are recommended and available upon request. MacroAir certified installers will not install equipment from other manufacturers.

1.2 RELATED SECTIONS

- A. 23 00 00 – Heating, Ventilating, and Air Conditioning (HVAC)
- B. 23 34 00 – HVAC Fans

1.3 REFERENCES

- A. Underwriters Laboratories (UL 507)
- B. CE
- C. IP
- D. National Fire Protection Agency (NFPA 13)

1.4 SUBMITTALS

- A. Submit under provisions of Section 01300
- B. Product Data: Manufacturer's data sheets on each product to be used shall include:
 - 1. Storage and handling requirements and recommendations
 - 2. Power and mounting requirements
 - 3. Application Drawings: Submit plan, section, elevation and isometric views as necessary to convey the information required to detail all installation conditions for each unit specified.
- C. AutoCAD Files: dwg file format for architectural design.
- D. Installation Manual: The manufacturer will provide an installation, operation, and maintenance document for the fan. Information included in the document may change without notice.
- E. Schedule

1.5 QUALITY ASSURANCE

- A. Certifications
 - Product Details
- B. Manufacturer Qualifications
 - 1. MacroAir shall provide sole source for design, engineering, manufacturing and warranty claims handling.
 - 2. The fan and any accessories shall be supplied by MacroAir Fans, which has a minimum of fifteen (15) years of product experience.

1.6 PROJECT CONDITIONS

- A. Maintain environmental conditions (temperature, humidity and ventilation) within limits recommended by manufacturer for optimal results. Do not install products in environmental conditions outside MacroAir's absolute limits. The storage of all MacroAir products prior to installation will be in an "out of weather" position. Failure to maintain the integrity of the shipment is not the responsibility of MacroAir.

1.7 WARRANTY

- A. MacroAir shall repair or replace warranted defective parts as follows:
 - 1. 15-year warranty on airfoils and mounting
 - 2. 5-year electrical warranty
 - a. Integral Gearmotor
 - b. VFD
 - c. Controller/Remote
- B. At project closeout, provide to Owner or Owner's Representative an executed copy of MacroAir's standard limited warranty against manufacturing defect, outlining its terms, conditions and exclusions from coverage.

1.8 COORDINATION

- A. The fan shall be capable of receiving a stop command from the fire panel, an ASD (Aspirating Smoke Detection) device, or any number of smoke, flame or heat detectors.
- B. The fans shall be as follows:
 - 1. The fan shall meet the air velocity requirements of FM Global's 2.0 data sheet for ESFR sprinklers.
 - 2. If required by the local fire prevention authority or desired by the purchaser, the fan shall be wired into the building's fire suppression system so that the fan will automatically shut off within a maximum of 90 seconds after sprinklers are activated. To facilitate this automatic shut-down, the low voltage wire and relay needed to accomplish this must be supplied by the Fire Alarm installer. See Manufactures installation instructions for further details.
 - 3. Upon fire detection as described above, the fans shall coast to stop asrequired by NFPA guidelines.

PART 2 PRODUCTS

2.1 APPROVED MANUFACTURERS

- A. Acceptable Manufacturer: MacroAir Technologies, Inc., which is located at: 794 South Allen Street, San Bernardino, CA 92408-2210 Toll Free Tel: 866-668-3247; Tel: 909- 890-2270; Website: macroairfans.com
- B. Substitutions: Not permitted
- C. Requests for substitutions will be considered in accordance with provisions of Section 01600

2.2 HIGH VOLUME, LOW SPEED FANS – MACROAIR AIRLEGACY

- A. Regulatory Requirements: Assembly standards
 - 1. Sustainable Characteristics: The MacroAir AirLegacy is designed to generate large volumes of thorough air movement throughout a space at a low velocity to create a comfortable environment at a low energy consumption, contributing to cost-efficient facility management and operation practices. The efficiencies of the MacroAir high volume, low speed fan concept are such that air is thoroughly mixed within a space, achieving thermal equalization, and gentle air movement is delivered to occupants contributing to indoor air quality. The MacroAir AirLegacy is designed to operate with forward (counterclockwise) and reverse (clockwise) performance capabilities, for cooling and heating solutions.

- B. Performance
 - 1. The fan shall be listed to applicable UL Standards and requirements by UL.

Model #	Diameter	Horsepower	Hanging Weight	RPM	Industry Spacing***	Max Affected Area****	Max dBA*****
MZ08	8 ft / 2.44 m	1.0 HP / 0.75 kW	193 lbs / 87.7 Kg	209	50 ft / 15.2 m	3,600 ft2 [336 m2]	58
MZ10	10 ft / 3.05 m	1.0 HP / 0.75 kW	200 lbs / 90.6 Kg	162	60 ft / 18.29 m	6,000 ft2 [557 m2]	58
MZ12	12 ft / 3.66 m	1.0 HP / 0.75 kW	211 lbs / 95.6 Kg	120	65 ft / 19.81 m	8,000 ft2 [743 m2]	58
MZ14	14 ft / 4.27 m	1.0 HP / 0.75 kW	217 lbs / 98.5 Kg	105	70 ft / 21.34 m	10,000 ft2 [929 m2]	58
MZ16	16 ft / 4.88 m	1.0 HP / 0.75 kW	217 lbs / 98.3 Kg	88	85 ft / 25.91 m	12,000 ft2 [1,115 m2]	58
MZ18	18 ft / 5.49 m	1.0 HP / 0.75 kW	230 lbs / 104.3 Kg	72	90 ft / 27.43 m	14,000 ft2 [1,301 m2]	58
MZ20	20 ft / 6.07 m	1.5 HP / 1.125 kW	239 lbs / 108.4 Kg	73	100 ft / 30.48 m	18,000 ft2 [1,673 m2]	61
MZ24	24 ft / 7.32 m	2.0 HP / 1.5 kW	270 lbs / 122.5 Kg	62	110 ft / 33.52 m	20,000 ft2 [1,858 m2]	61

Delivers 2.8-4.2 ft/s [0.86-1.27 m/s] of average air speed in the occupied space. This relates to perceived cooling or set point change or 4.9-6.1 F [2.7-4.3 C]. Consult our online AirViz tool for more details. *Delivers 2.7-3.8 ft/s [0.82-1.16 m/s] of average air speed in the occupied space. This relates to a perceived cooling or set point change of 4.8-5.8 F [2.6-3.2 C]. Consult our online AirViz tool for more details. *****Sound testing taken with the sensor 5 ft above the ground and 20 ft from the center of the fan with the fan running full speed and mounted at 20 ft high. Dba levels of the fans may alter dependent upon the application space and conditions.

C. Airfoils

1. The fan shall be equipped with six (6) aerospace aluminum, down wash XL airfoils. The airfoils shall consist of anodized 6061 T4 precision extruded aluminum and be of the MacroAir XL design, with fan diameters ranging from 8 to 20 feet in two (2) foot increments and a 24 foot fan diameter. The airfoils shall be connected to six (6) individual aluminum 6005 T6 struts by means of two (2) 5/16-24 x 2-inch grade 5 hex bolts, two (2) 5/16-inch flat washers and two (2) 5/16-inch nylon lock nuts per airfoil.
 - a. Number of Airfoils: 6
 - b. Airfoil Material: 6061 T4 Extruded Aluminum
 - c. Airfoil Finish: Anodized
 - d. Option Airfoil Finish: Custom powder coated colors per Drylac RAL color chart

D. Motor (8-18 foot models)

1. The fan shall be equipped with a Nord 1 Hp, 3-phase gearmotor (explosion proof and stainless steel wash down configurations available). The gearmotor shall be of Class 1.0, Div. 2.0, Gr. B, C and D. The motor shall be of Class I, Zone II, IIC. Motor winding shall meet NEMA MG1 Part 30 and 31. Motor shall have CSA and CE markings.
 - a. HP: 1.
 - b. 3-Phase.
 - c. RPM: 1730.
 - d. Service Factor: 1.0.
 - e. Full Load Amp draw: 3.14 /1.57.
 - f. Insulation Class: F.
 - g. Motor Finish and Color: grey.
 - h. Enclosure: TEFC.
 - i. Frame: D56C.
 - j. Duty: Continuous.

E. Motor (20-foot model)

1. The fan shall be equipped with a Nord 1.5 Hp, 3-phase gearmotor. The gearmotor shall be ventilated, capable of continuous operation up to 104°F (40/50° C) ambient conditions.
 - a. HP: 1.5.
 - b. 3-Phase.
 - c. RPM: 1740.
 - d. Service Factor: 1.25.
 - e. Full Load Amp draw: 4.2/2.1.
 - f. Insulation Class: B.
 - g. Motor Finish and Color: grey.
 - h. Enclosure: TEFC.
 - i. Frame: 56C.
 - j. Duty: Continuous.

F. Motor (24-foot model)

1. The fan shall be equipped with a Baldor 2.0 Hp, 3-phase gearmotor. The gearmotor shall operate on voltage ranging from 208-230/460 three (3) phase and 50/60 Hz. The gearmotor shall be of the insulation class F. The gearmotor shall be ventilated, capable of continuous operation up to 104°F (40/50° C) ambient conditions.
 - a. HP: 2.0.
 - b. 3 Phase.
 - c. RPM: 1725.
 - d. Service Factor: 1.15.
 - e. Full Load Amp draw: 5.6 – 5.2/2.6.
 - f. Insulation Class: F.
 - g. Motor Finish and Color: grey.
 - h. Enclosure: TEFC.
 - i. Frame: D90.
 - j. Duty: Continuous.

G. Motor Control Panel (MCP) and Remote

1. Each Motor Control Panel is built pursuant to UL Standards as Industrial Control Panels and pursuant to construction guidelines set forth by UL article 508A and the National Electrical Code. The controls shall be housed in a NEMA 1 (optional NEMA 4X) enclosure to prevent unwanted exposure and to exclude entry of unwanted contaminants. The MCP shall include a Yaskawa V1000 Variable Frequency Drive (VFD) for 208-240V and 480V. The VFD shall operate on carrier frequency of no less than 8 kHz in order to minimize sound. The VFD shall have a UL, CE and RoHS rating.
2. Motor cable shall be a Belden foil-shielded cable with no more than 25 feet in length and provided by MacroAir. No motor cable substitutions are allowed. The fan shall include a NEMA 4X Remote Switchbox for wall mounting and 100 feet of remote cable (up to 600 feet in length optional). Remote Switchbox shall include a forward, off, reverse and a speed control knob.
3. Electrical Requirements
 - a. 110-120VAC single (1) phase 50/60 Hz
 - b. 208-240VAC single (1) phase 50/60 Hz.
 - c. 208-240VAC three (3) phase 50/60 Hz.
 - d. 380-415VAC three (3) phase 50 Hz.
 - e. 460-480VAC three (3) phase 50/60 Hz.
 - f. 600VAC three (3) phase 50/60 Hz.
4. Lockable disconnect switch.
5. Pre-programmed VFD with dynamic acceleration and deceleration.
6. Fire panel integration contacts.

H. Mounting

1. The fan mounting system shall be equipped with hardware, no less than SAE grade 5 for safe installation. The fan shall be equipped with a stress relieving swivel (SRS) mount.
2. The fan mount shall encompass multiple mounting options for I-beam, Purlin and Glulam applications (specified upon order).
 - a. Standard Mount: UMH with guy wires, SRS I-beam clamp with 3' drop
 - b. Optional Mounting Hardware: Glulam Mounting Brackets
 - c. Mounting Drops: Extensions available in one (1) to ten (10) foot lengths in (1) foot increments (custom sizes available).
 - d. Mounting Drop Material: A36 Welded Steel.
 - e. Mounting Drop Material: A36 Welded Steel.
 - f. Frame Finish: Black powder coated.
 - g. Optional Frame Finish: Custom powder coated colors per Drylac RAL color chart.
 - h. Mount Finish: Black powder coated.
 - i. Optional Mount Finish: Custom powder coated colors per Drylac RAL color chart.
 - j. Frame Material: A36 Welded Steel.
 - k. Mount Material: A36 Welded Steel.

I. Hybrid Hub

1. The fan shall be equipped with a patent-pending, aluminum hybrid hub. The hybrid hub shall have six (6) removable, black anodized, 6005 T6 aluminum H- beam struts. The struts shall be designed with airfoil guides to ensure precision alignment.
 - a. Hub Material: 356 T6 Cast Aluminum.
 - b. Airfoil Strut Material: 6005 T6 Aluminum.
 - c. Airfoil Strut Finish: Black Anodized.
 - d. Hardware: Twelve (12) 3/8-24 x 1 3/4 -inch Grade 8 Hex Bolts.
 - e. Hardware: Twelve (12) 3/8-inch flat washers (SAE).
 - f. Hardware: Twelve (12) 3/8-inch nylon lock nuts.

J. Safety System

1. The fan shall include a patented two-part interlocking hybrid hub safety system. The hybrid hub safety system shall prevent hub separation from the gear reducer. The fan shall include four (4) guy wires attached to the building structure at recommended 45° angles to level and secure frame position. The fan shall include one-piece airfoil retainer links to prevent airfoil separation from the hybrid hub. Included in the safety system shall be fuses and a disconnect to prevent fire or misuse. Each fan shall be E-stop compatible for fire and building automated systems (BAS).
 - a. Safety Cable Material: 1/4" x 7 x 19 Aircraft Grade Braided Steel.
 - b. Safety Cable Finish: Galvanized.
 - c. Guy Wire Material: 1/8" x 7 x 10 Aircraft Grade Braided Steel.
 - d. Guy Wire Finish: Galvanized.
 - e. Safety Disc Material: A36 Laser-cut Steel.
 - f. Safety Disc Finish: Clear Zinc.
 - g. Safety Retainer Plate Material: A36 Laser-cut Steel.
 - h. Safety Retainer Plate Finish: Black powder coated.
 - i. Airfoil Retainer Link Material: 10 Gauge A36 Steel.
 - j. Airfoil Retainer Link Finish: Clear Zinc.
 - k. Hub Retainer Bushing.

PART 3 EXECUTION**3.1 PREPARATION**

- A. Fan installation location requires a typical bar joist, existing I-beam or glulam structure from which to mount the fan. Other mounting options may be available.
- B. Obstacles such as lights, racking, cables, or other structural components shall remain outside of the fan proximity. Consult the fan installation manual for proper placement.
- C. Check accuracy of dimensions indicated for openings to receive fans.
- D. Check location and availability of utility services to ensure proper voltage and installation preparation.
- E. Coordinate location and installation of the HVLS Fans.
- F. Ensure building structural members are sufficient to support the weight and operation of the fan. Consult professional engineer or registered architect as required.
- G. The fan requires a fused disconnect to be installed on the incoming power for emergency and maintenance use per national and international code compliance which may include CE, CSA, IEC, UL, and NEC.

3.2 INSTALLATION

- A. Install units per the fan installation manual.
- B. Fan airfoil height to be a minimum of 10 feet from the floor in accordance with MacroAir's recommendations.
- C. All safety and support features must be installed. These include any guy wires and safety cables as well as airfoil retainer locking features.
- D. Adjust unit as required for proper operation in accordance with manufacturer's installation instructions.
- E. Securely anchor units.
- F. Ensure that operating parts turn freely prior to initial startup.
- G. Repair or replace damaged parts, dents, buckles, abrasions or other damage affecting appearance or serviceability, as acceptable to Architect.

3.3 PROTECTION

- A. Protect finished Work until date of Substantial Completion.
- B. Touch-up, repair or replace damaged products before Substantial Completion.

3.4 CLEANING

- A. Clean Work per Section 01 74 00.
- B. Clean and inspect fans per manufacturer's instructions.
- C. Remove temporary protective cover at date of Substantial Completion.

END OF SECTION

MacroAir Warranty

MacroAir warrants the Products listed in the table below will be free from defects in materials and workmanship under normal use and maintenance for the applicable Warranty Period. Other than the Warranty set forth in this document, no other written or oral warranties apply, and no employee, agent, dealer, or other person is authorized to give any other warranties on behalf of MacroAir.

START DATE OF WARRANTY COVERAGE

Warranty Period for all fan models begins fifteen (15) days following shipment of the Product, or on the date the Product is installed (not to exceed sixty (60) days Customer receives the Product), whichever date is later. Customer should retain necessary documentation to verify the date of receipt and installation of the Product. Customer will be required to produce this documentation in order to obtain Warranty services from MacroAir. The Warranty specified herein applies only to Products purchased on or after March 15, 2021.

PRODUCTS AND SYSTEMS COVERED BY THIS WARRANTY AND APPLICABLE WARRANTY PERIODS:

Fan Type	Mechanical: Blades, Hub & Frame	Standard Electrical ¹ : Motor, Electrical Controls, Remote	Labor
AirVolution-DX	15 Years	10 Years*	1 Year
AirVolution	15 Years	7 Years*	1 Year
AirLegacy	15 Years	5 Years*	1 Year
AirVolution-D3	10 Years	7 Years*	1 Year
AirVolution-D 370	10 Years	5 Years*	1 Year
AirLite Shop Fan	5 Years	2 Years*	N/A

WARRANTY COVERAGE:

Subject to the exclusions herein, the MacroAir Warranty covers any defects in workmanship or materials of the covered Products under normal operation and prescribed maintenance when those defects adversely affect the ability of the Product to operate properly.² The Warranty only covers Products which have been installed in compliance with MacroAir's written installation instructions by a MacroAir approved installation technician or licensed electrical contractor and operated and maintained by the Customer in conformity with MacroAir's written instructions, and when the Product is purchased directly from MacroAir or a MacroAir Authorized Dealer.

This Warranty is subject to all provisions, conditions, limitations, and exclusions explained in this Warranty document. **leader**

***EXTENDED ELECTRICAL WARRANTY COVERAGE AVAILABLE FOR PURCHASE (OR PROVIDED WITH FACTORY CERTIFIED INSTALL)**

Fan Type	Extended Electrical Warranty Price per Year	Max Years Available for Purchase	Max Electrical Warranty after Extended Warranty Purchase
AirVolution-DX	\$200	5	15 Years
AirVolution	\$200	5	12 Years
AirLegacy	\$200	5	10 Years
AirVolution-D3	\$200	5	12 Years
AirVolution-D 370	\$200	5	10 Years
AirLite Shop Fan	\$200	3	5 Years

WHO MAY USE THIS WARRANTY?

This MacroAir Warranty may be used by the original purchaser of the Product and any subsequent owners, provided the fan has not been moved from its original installation location. The MacroAir Warranty is void once the Product is removed from its original installation location. This MacroAir Warranty is valid only within the fifty states of the United States, the District of Columbia, and all ten Canadian Provinces and Territories.

MacroAir will not, under any circumstances, provide Warranty coverage for a Product purchased from any reseller or internet site not approved by MacroAir.

¹"Standard Electrical" means any common electrical component that is utilized across more than one fan line will assume the higher warranty period.

²"Operate properly" applies only to mechanical, electrical, and structural systems of the Product.

MacroAir Warranty

WHAT HAPPENS WHEN I MAKE A WARRANTY CLAIM?

During the Warranty Period, MacroAir will, at its sole discretion and cost (as limited by this Warranty):

- Repair or replace parts of the Product, as necessary, to return the Product to proper operation; or
- Repair or replace the entire Product; or
- Replace the product with similar or like product of equal or better performance; or
- Refund the price you paid for the Product upon return of the Product to MacroAir. (You must pay shipping and insurance.)

REPAIR, REPLACEMENT, OR REFUND ARE THE EXCLUSIVE REMEDIES AVAILABLE UNDER THE MACROAIR WARRANTY. MACROAIR IS NOT RESPONSIBLE FOR DAMAGES OF ANY KIND, INCLUDING INCIDENTAL AND CONSEQUENTIAL DAMAGES.

For Products that qualify for extended labor, MacroAir will pay reasonable labor³ costs incurred to repair or replace defective parts or a defective Product at the original installation location. In the alternative and in its sole discretion, MacroAir may require you to return of the Product to MacroAir for repair or replacement.

MacroAir will ship the repaired Product or replacement Product to you at no charge; however, you are responsible for all costs of removal, reinstallation, and shipping of the Product to the MacroAir service center located at 794 South Allen Street, San Bernardino, CA 92408. If local laws require a certified electrician to reinstall the Product, MacroAir will reimburse the costs incurred to ship the Product to the MacroAir service center.

OBTAINING WARRANTY SERVICE:

Discovering a defect. If the Product is malfunctioning, turn it off immediately. Do not restart it until it has been examined by a MacroAir technician.

As soon as possible, contact MacroAir' Technical Support by visiting the MacroAir website and starting a technical support case at <https://macroairfans.com/support> or by calling the Technical Support phone number: (866) 668-3247

Provide information. Once you have initiated your technical support case, MacroAir will process it under the Warranty terms. A MacroAir representative will contact you and ask you to provide: Your contact information, including the installation address of the Product; the Product's brand name, serial number, purchase price, and verification of date of Product installation or, if you are not the original owner of the Product, the date you came into possession of the installation location; and a detailed description of the Product's problem.

Response from MacroAir. If MacroAir determines you have a valid Warranty claim, MacroAir will process your claim and respond appropriately. If the response requires shipment of a replacement part, MacroAir will provide you with any shipping labels and documents needed to return the original defective part, including a Return Materials Authorization (RMA) number.

When you accept delivery of a replacement part, you are also agreeing to return the defective part to MacroAir within fifteen (15) days of the date the replacement part was delivered to you. If you fail to return the original part, MacroAir will invoice you for the retail cost of the replacement part which must be paid immediately upon receipt of the invoice. MacroAir reserves all legal and equitable rights to collect payment for the replacement part if you fail to comply with these terms.

³ "Labor" means on-site technical service of the Product provided by MacroAir during applicable Warranty coverage time. At MacroAir's sole discretion, the person(s) providing this on-site service may be employees of MacroAir or qualified technicians contracted by MacroAir. MacroAir will not reimburse Customers or independent contractors for Product service performed without prior written approval from MacroAir. GST, Taxes, Service Charges, and Troubleshooting are excluded from Labor Coverage. MacroAir will reimburse the Customer in whose building the Product is installed, with such reimbursement limited to the reasonable cost paid by the Customer to an independent contractor hired to remove, dismantle, reassemble, or reinstall any of the Products under the Warranty during the applicable coverage period. MacroAir may request proof of payment by the Customer to the independent contractor of all service charges, and will reimburse the Customer only for those charges MacroAir, in its sole discretion, determines to be reasonable and necessary under the circumstances and inclusive of the cost of any lift or other equipment needed to service the Product.

MacroAir Warranty

Site visit or Product return. Depending on the issue your Product is experiencing, it may be necessary to have a MacroAir certified technician contact you to remove, repair, or replace the Product. For Products that qualify for extended labor, MacroAir will pay reasonable labor costs incurred to repair or replace defective parts or a defect Product at the installation location. Alternatively, MacroAir may, in its sole discretion, require you to return of the entire Product to MacroAir for repair or replacement. Should MacroAir ask you to ship the entire Product back to MacroAir for repairs or replacement, MacroAir will prepay the shipping and insurance for factory-installed Products for the first 365 days after the commencement of the Warranty Period.

WARRANTY CONDITIONS

—MacroAir reserves full, sole, and complete discretion to determine, based on its own evaluation and testing of the Product and its components, whether the problem reported by the Customer is a defect covered under the Warranty. (Non-covered problems are listed in the Exclusions section below.);

—If MacroAir determines, in its full, sole, and complete discretion, that the appropriate remedy under the Warranty is a refund, the refund amount will be limited to the price paid by the Customer for the Product, and under no circumstances will it include any other costs incurred or anticipated by the Customer, including labor, shipping, packaging, and other costs.

—If MacroAir determines, in its full, sole, and complete discretion, that a part or parts within the Product must be replaced or repaired, MacroAir may choose to use refurbished replacement parts.

—MacroAir warrants any replacement parts, whether refurbished or new, will operate properly and be free from defects in materials and workmanship for a period of ninety (90) days from the date the replacement parts are shipped to you, or for the remainder of the original warranty period, whichever is longer.

—If you return a Product to MacroAir for Warranty service and it has been modified in any way or if it is missing any parts, MacroAir reserves the right, in its full, sole, and complete discretion, to require you to pay one or more of the following: a service fee, parts replacement fee, and shipping fee. The amount of the fee(s) will be based on materials and labor costs necessary to return the Product to its original factory condition.

—The MacroAir Warranty gives you specific legal rights, and you may also have other legal rights which vary from state to state.

—MacroAir reserves the right to change this Warranty and its terms at any time without advance notice. You can view the most current version of this Warranty on the MacroAir website at macroairfans.com/warranty.

WHAT IS EXCLUDED FROM THIS WARRANTY?

1. Parts and Labor necessary to correct improper Product installation by someone other than MacroAir. Improper installation includes, but is not limited to:
 - Failure to follow MacroAir-supplied installation instructions and any other installation-related instructions supplied with the Product and related equipment;
 - Failure to follow all applicable codes and ordinances including, but not limited to, electric codes and local building codes;
 - Failure to follow electrical engineering industry standards for installation of electrical equipment similar to the Product and its related components, even if such standards are not expressly referenced in any MacroAir instructions or; and
 - Improper use of or failure to use installation and mounting hardware supplied or approved by MacroAir
2. Product failures arising from adverse site conditions, including, but not limited to, excessive dust, heat, and humidity; exposure to chemicals, salt water, acid rain or other corrosive elements, excessive humidity, snow, sleet, and/or wind; unstable electric service, lightning events, lack of phase protection, or any other unknown or unforeseen condition that affects the proper operation of the products).

MacroAir Warranty

3. Products purchased from someone other than MacroAir or a MacroAir Factory Authorized Dealer.
4. Products or components with missing or defaced serial numbers or part number stickers.
5. Normal operational noise or complaints or dissatisfaction with operational noise levels. The warranted Products produce some noise while operating within normal levels, which levels may vary due to the Product design and/or site conditions. A Product returned by a Customer because of noise concerns will be subject to MacroAir's Standard Return Policy.
6. Defects, malfunctions, failure or physical damage caused by unauthorized service, use of unauthorized parts, and/or improper installation.
7. Customer mishandling, modifications, or damage to the Product while in Customer possession, which includes, but is not limited to:
 - Any modification or alteration of, or adjustment to the Product;
 - Any modification or alteration of, or adjustment to the Product's control components, or mounting and installation hardware;
 - Disassembly of the Product and Product controls, including any attempt to diagnose or repair any problem, without prior written authorization from MacroAir's Technical Support Department;
 - Misuse, abuse, accidents, unreasonable use, or Acts of God;
 - Incorrect electric current, voltage, phase protection, or supply;
 - Failure to use the Product controls supplied by MacroAir unless the Customer has received pre-installation written permission from MacroAir and the controls are built, operated, and maintained according to specifications provided to and approved by MacroAir.
8. Failure to provide reasonable and necessary maintenance, which shall include, but not be limited to failure to perform periodic prescribed Product maintenance as detailed on the MacroAir website.
9. Consequential⁴ or incidental⁵ damages sustained by any person, entity, or structure and arising from any breach by Customer of any provision of this Warranty, except where such damages are not excludable by law.
10. Claims made for Products that have not been paid for in full.
11. Damage caused to the Product by structural defects, structural movement or settlement of the premises in which the Product is installed.
12. Normal changes to the Product's exterior finish caused by ordinary use.
13. Damage to any finish applied by someone other than MacroAir.
14. Damage or failure caused by use of the Product in conditions or environments outside its design limitations as specified in the Product's Owner's Manual.
15. Untimely reporting of defects. A report of a defect is untimely where Customer reports the defect to MacroAir more than ninety (90) days from when the defect was or should have been discovered.

⁴"Consequential damages" include but are not limited to the cost of repairing or replacing other property which was damaged if this product does not work properly.

⁵"Incidental damages" include but are not limited to such damages as loss of time and loss of use.

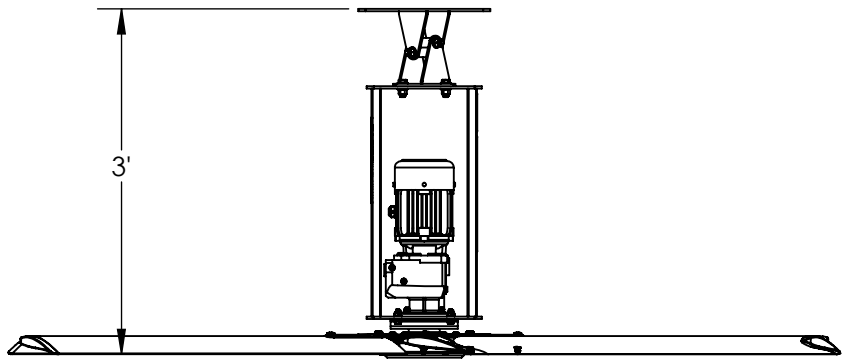
MacroAir Warranty

16. When MacroAir evaluates electrical and electronic components of a Product in response to a Warranty claim, MacroAir will rely on the original manufacturer to determine whether the failure of the component was the result of a defect. Where the manufacturer of the component determines there was no defect and refuses to cover it under its own warranty, MacroAir will not provide Warranty service, repair, or replacement of the component unless MacroAir determines the failure of the component was the result of a defect of design, workmanship, or material within some other part of the Product.
17. Additional labor or equipment costs resulting from third party installations and/or parts of the fan being inaccessible (including, but not limited to fans above pools or specialty flooring, proximity to other equipment, cabling or electronic drive equipment housed within drywall, limited hours of accessibility, or remote geographic location).
18. When MacroAir evaluates electrical and electronic components of a Product in response to a Warranty claim, MacroAir will rely on the original manufacturer to determine whether the failure of the component was the result of a defect. Where the manufacturer of the component determines there was no defect and refuses to cover it under its own warranty, MacroAir will not provide Warranty service, repair, or replacement of the component unless MacroAir determines the failure of the component was the result of a defect of design, workmanship, or material within some other part of the Product.
19. No warranty or guarantee, unless and except by separate written agreement, is made regarding the volume of air movement generated by any Product or the effectiveness, fitness, or appropriateness of any Product for its intended purpose or for the Customer's particular application.
20. MacroAir will not reimburse Labor costs related to residential installations; installations to where a Product has been relocated after its original installation; or where any of the other Warranty Exclusion applies.
21. Replacement of functioning products in the vicinity of defective product when MacroAir replaces the defective product with similar or like product of equal or better performance.

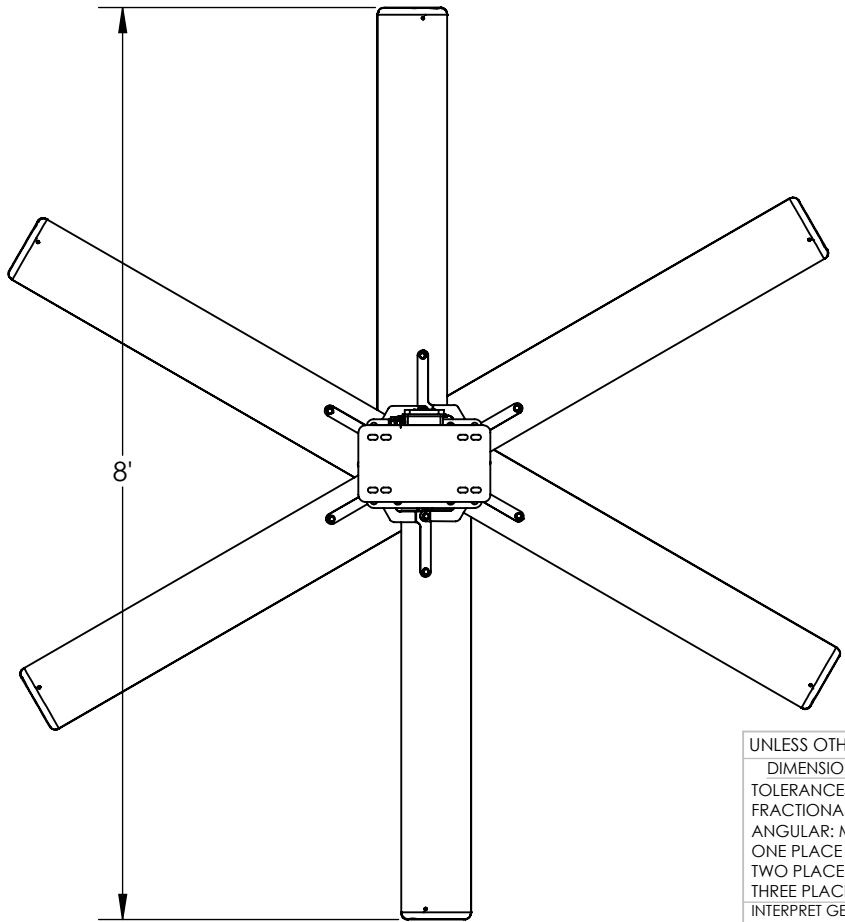
THIS WARRANTY IS EXPRESSLY IN LIEU OF ALL OTHER WARRANTIES, EXPRESSED OR IMPLIED, INCLUDING WARRANTIES OF MERCHANTABILITY OR FITNESS FOR PARTICULAR PURPOSE, AND OF ALL OTHER OBLIGATIONS AND LIABILITIES ON MACROAIR'S PART, AND MACROAIR NEITHER ASSUMES NOR AUTHORIZES ANY PERSON TO ASSUME FOR IT ANY OTHER LIABILITY IN CONNECTION WITH THE SALE OF THE PRODUCTS COVERED BY THIS WARRANTY. NO OTHER WARRANTY EXPRESSED OR IMPLIED, WHETHER OF FITNESS FOR A PARTICULAR PURPOSE OR OF MERCHANTABILITY OR OF ANY OTHER KIND, WHETHER OR NOT SIMILAR IN NATURE TO ANY PREVIOUSLY SPECIFIED, SHALL EXIST WITH RESPECT TO SUCH PRODUCTS, ALL SUCH WARRANTIES BEING HEREBY EXPRESSLY DISCLAIMED BY MACROAIR AND WAIVED BY YOU, THE CUSTOMER. IN NO EVENT SHALL MACROAIR BE LIABLE FOR DAMAGES IN EXCESS OF THE PURCHASE PRICE OF THE PRODUCTS OR FOR, WITHOUT LIMITATION, COMMERCIAL LOSS OF ANY SORT; LOSS OF USE, TIME, REPUTATION, OPPORTUNITY, GOODWILL, PROFITS OR SAVINGS; INCONVENIENCE; INCIDENTAL, SPECIAL, CONSEQUENTIAL OR PUNITIVE DAMAGES; OR DAMAGES ARISING FROM THE USE OR INABILITY TO USE THE PRODUCTS, UNLESS SUCH DAMAGES CANNOT BE EXCLUDED BY LAW.

5 4 3 2 1

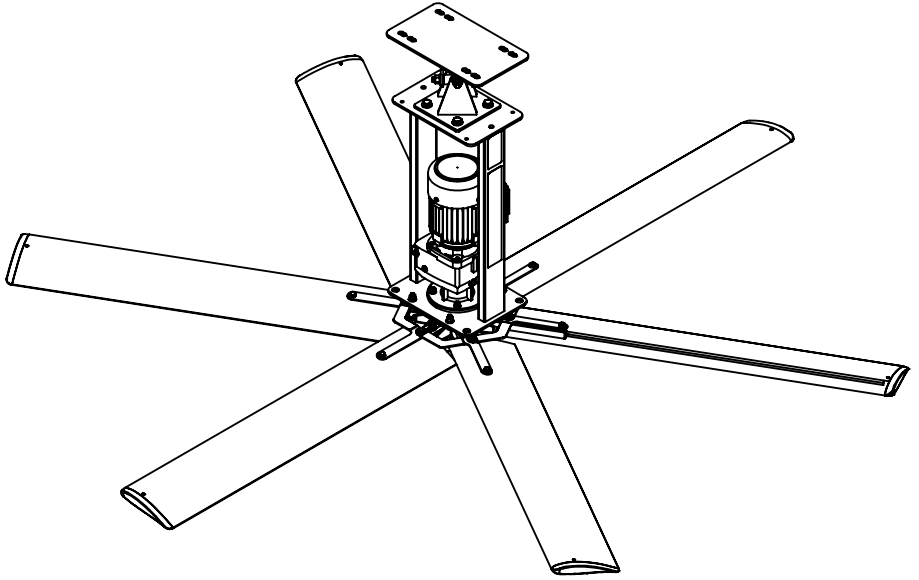
D



C



B



D

C

B

A

A

5

4

3

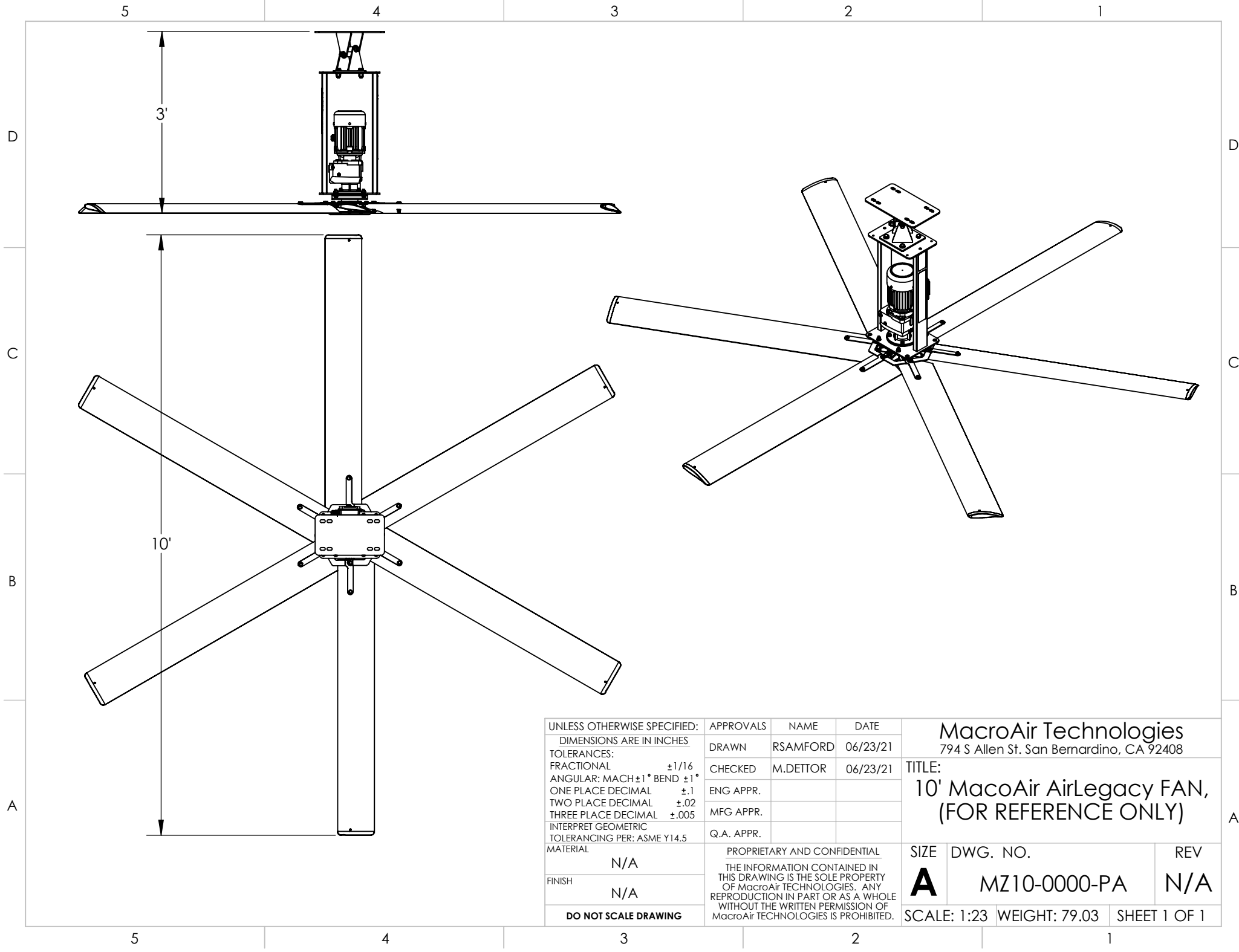
2

1

UNLESS OTHERWISE SPECIFIED: DIMENSIONS ARE IN INCHES	APPROVALS	NAME	DATE
TOLERANCES:	DRAWN	RSAMFORD	06/23/21
FRACTIONAL ±1/16	CHECKED	M.DEITOR	06/23/21
ANGULAR: MACH ±1° BEND ±1°	ENG APPR.		
ONE PLACE DECIMAL ±.1	MFG APPR.		
TWO PLACE DECIMAL ±.02	Q.A. APPR.		
THREE PLACE DECIMAL ±.005			
INTERPRET GEOMETRIC TOLERANCING PER: ASME Y14.5			
MATERIAL	PROPRIETARY AND CONFIDENTIAL		
N/A	THE INFORMATION CONTAINED IN THIS DRAWING IS THE SOLE PROPERTY OF MacroAir TECHNOLOGIES. ANY REPRODUCTION IN PART OR AS A WHOLE WITHOUT THE WRITTEN PERMISSION OF MacroAir TECHNOLOGIES IS PROHIBITED.		
FINISH	SIZE DWG. NO. REV		
N/A	A MZ08-0000-PA N/A		
DO NOT SCALE DRAWING	SCALE: 1:20 WEIGHT: 95.23 SHEET 1 OF 1		

MacroAir Technologies
794 S Allen St. San Bernardino, CA 92408

TITLE:
**8' MacoAir AirLegacy FAN,
(FOR REFERENCE ONLY)**



UNLESS OTHERWISE SPECIFIED: DIMENSIONS ARE IN INCHES	APPROVALS	NAME	DATE
TOLERANCES:	DRAWN	RSAMFORD	06/23/21
FRACTIONAL ±1/16	CHECKED	M.DETTOR	06/23/21
ANGULAR: MACH ±1° BEND ±1°	ENG APPR.		
ONE PLACE DECIMAL ±.1	MFG APPR.		
TWO PLACE DECIMAL ±.02	Q.A. APPR.		
THREE PLACE DECIMAL ±.005			
INTERPRET GEOMETRIC TOLERANCING PER: ASME Y14.5			
MATERIAL	PROPRIETARY AND CONFIDENTIAL		
N/A	THE INFORMATION CONTAINED IN THIS DRAWING IS THE SOLE PROPERTY OF MacroAir TECHNOLOGIES. ANY REPRODUCTION IN PART OR AS A WHOLE WITHOUT THE WRITTEN PERMISSION OF MacroAir TECHNOLOGIES IS PROHIBITED.		
FINISH	SCALE: 1:23 WEIGHT: 79.03 SHEET 1 OF 1		
N/A			
DO NOT SCALE DRAWING			

MacroAir Technologies 794 S Allen St. San Bernardino, CA 92408		
TITLE: 10' MacoAir AirLegacy FAN, (FOR REFERENCE ONLY)		
SIZE	DWG. NO.	REV
A	MZ10-0000-PA	N/A

5

4

3

2

1

D

D

C

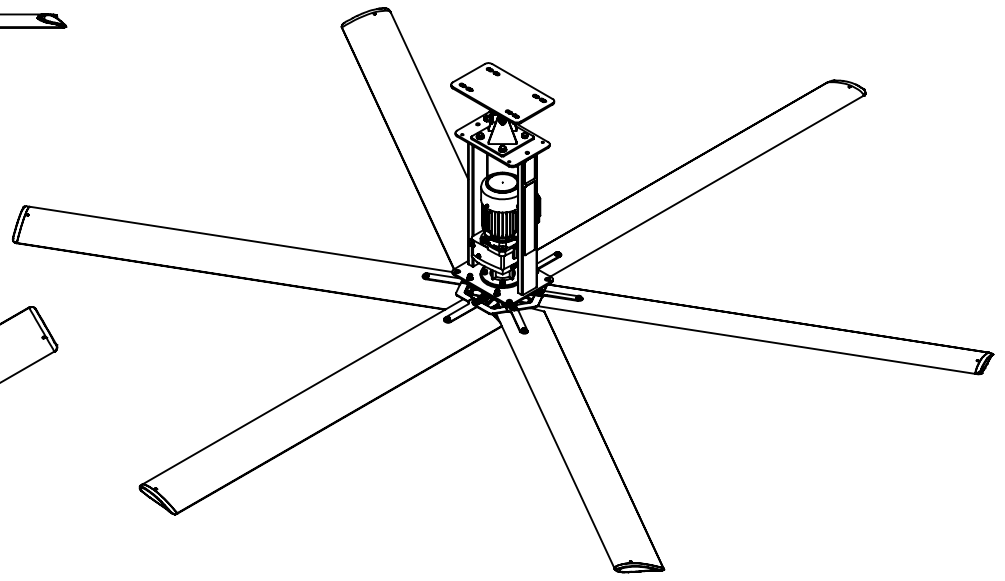
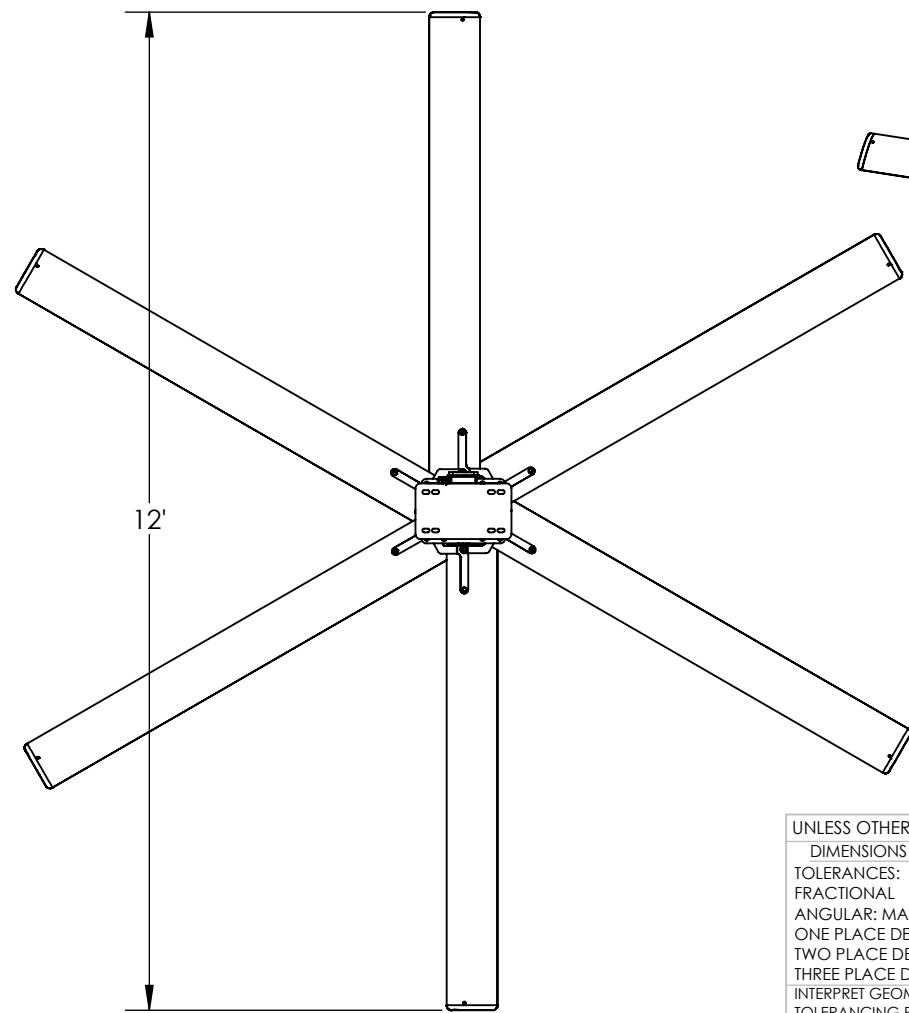
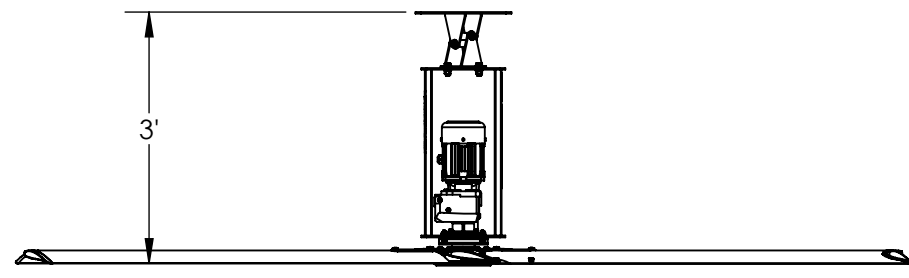
C

B

B

A

A



UNLESS OTHERWISE SPECIFIED: DIMENSIONS ARE IN INCHES	APPROVALS	NAME	DATE
TOLERANCES:	DRAWN	RSAMFORD	06/23/21
FRACTIONAL ±1/16	CHECKED	M.DETTOR	06/23/21
ANGULAR: MACH ±1° BEND ±1°	ENG APPR.		
ONE PLACE DECIMAL ±.1	MFG APPR.		
TWO PLACE DECIMAL ±.02	Q.A. APPR.		
THREE PLACE DECIMAL ±.005			
INTERPRET GEOMETRIC TOLERANCING PER: ASME Y14.5			
MATERIAL	PROPRIETARY AND CONFIDENTIAL		
N/A	THE INFORMATION CONTAINED IN THIS DRAWING IS THE SOLE PROPERTY OF MacroAir TECHNOLOGIES. ANY REPRODUCTION IN PART OR AS A WHOLE WITHOUT THE WRITTEN PERMISSION OF MacroAir TECHNOLOGIES IS PROHIBITED.		
FINISH			
N/A			
DO NOT SCALE DRAWING			

MacroAir Technologies 794 S Allen St. San Bernardino, CA 92408		
TITLE: 12' MacoAir AirLegacy FAN, (FOR REFERENCE ONLY)		
SIZE	DWG. NO.	REV
A	MZ12-0000-PA	N/A
SCALE: 1:27.5		WEIGHT: 82.37
		SHEET 1 OF 1

5

4

3

2

1

5

4

3

2

1

D

D

C

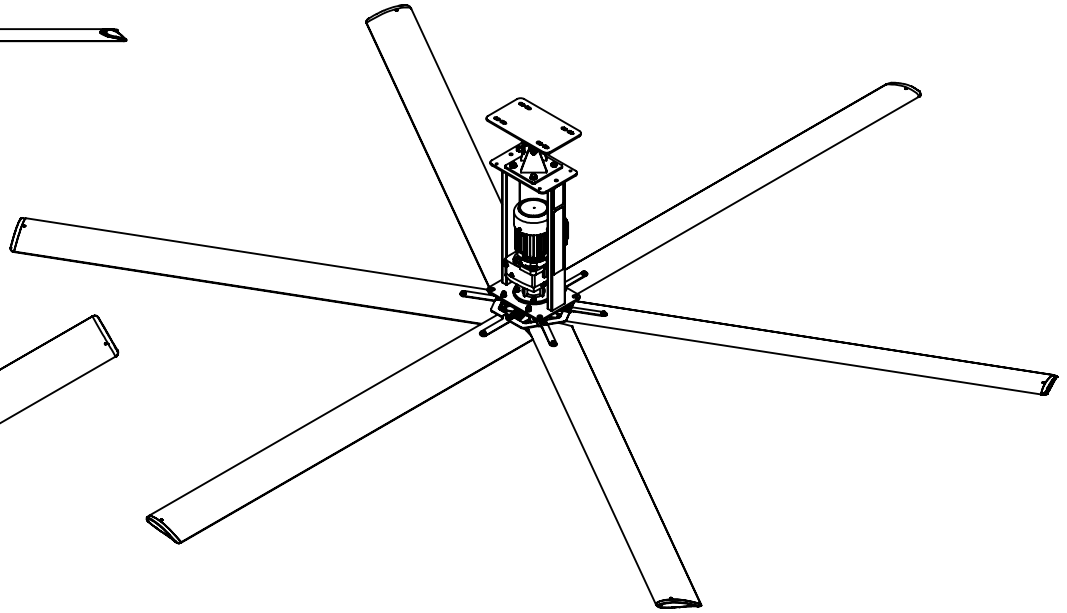
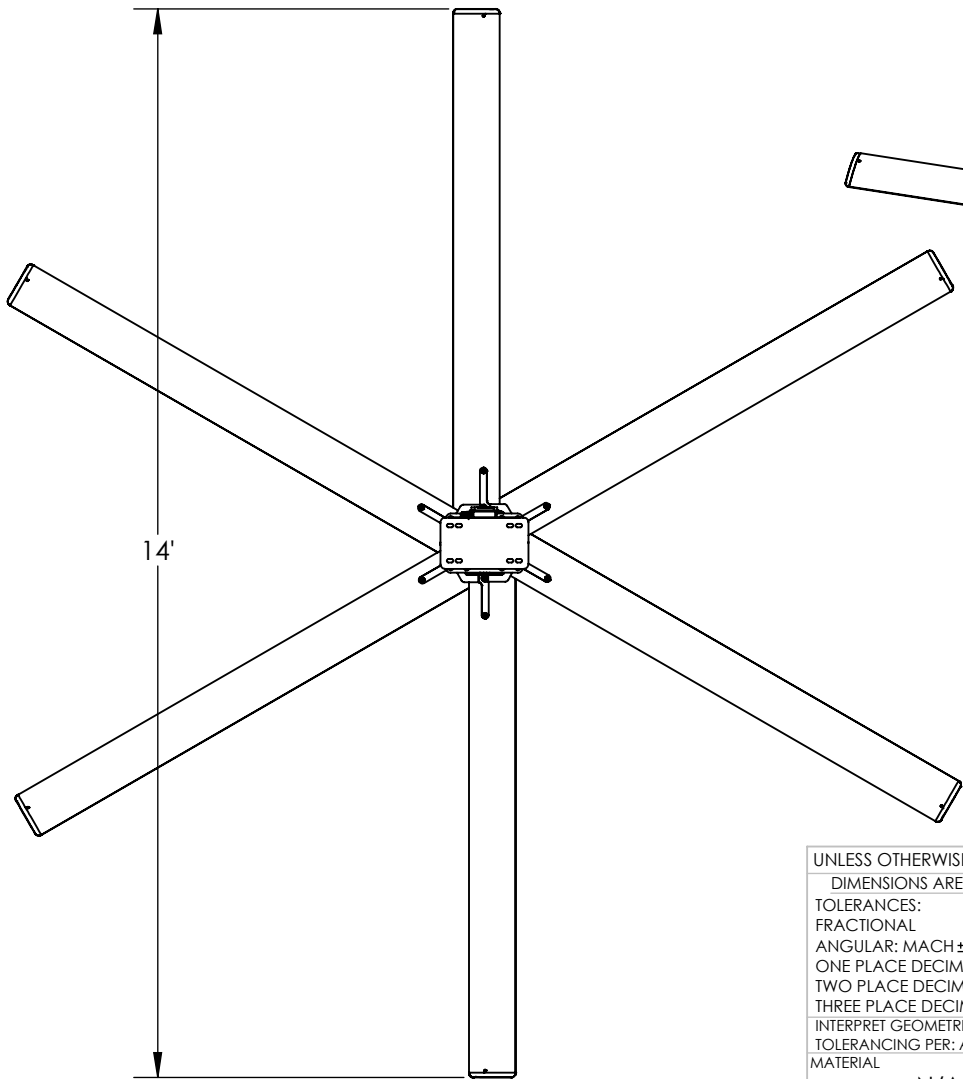
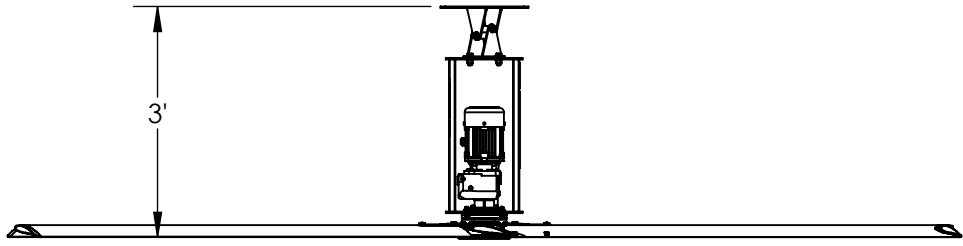
C

B

B

A

A



UNLESS OTHERWISE SPECIFIED: DIMENSIONS ARE IN INCHES	APPROVALS	NAME	DATE
TOLERANCES:	DRAWN	RSAMFORD	06/23/21
FRACTIONAL ±1/16	CHECKED	M.DETTOR	06/23/21
ANGULAR: MACH ±1° BEND ±1°	ENG APPR.		
ONE PLACE DECIMAL ±.1	MFG APPR.		
TWO PLACE DECIMAL ±.02	Q.A. APPR.		
THREE PLACE DECIMAL ±.005			
INTERPRET GEOMETRIC TOLERANCING PER: ASME Y14.5			
MATERIAL	PROPRIETARY AND CONFIDENTIAL		
N/A	THE INFORMATION CONTAINED IN THIS DRAWING IS THE SOLE PROPERTY OF MacroAir TECHNOLOGIES. ANY REPRODUCTION IN PART OR AS A WHOLE WITHOUT THE WRITTEN PERMISSION OF MacroAir TECHNOLOGIES IS PROHIBITED.		
FINISH			
N/A			
DO NOT SCALE DRAWING			

MacroAir Technologies 794 S Allen St. San Bernardino, CA 92408		
TITLE: 14' MacoAir AirLegacy FAN, (FOR REFERENCE ONLY)		
SIZE	DWG. NO.	REV
A	MZ14-0000-PA	N/A
SCALE: 1:30	WEIGHT: 85.64	SHEET 1 OF 1

5

4

3

2

1

5

4

3

2

1

D

D

C

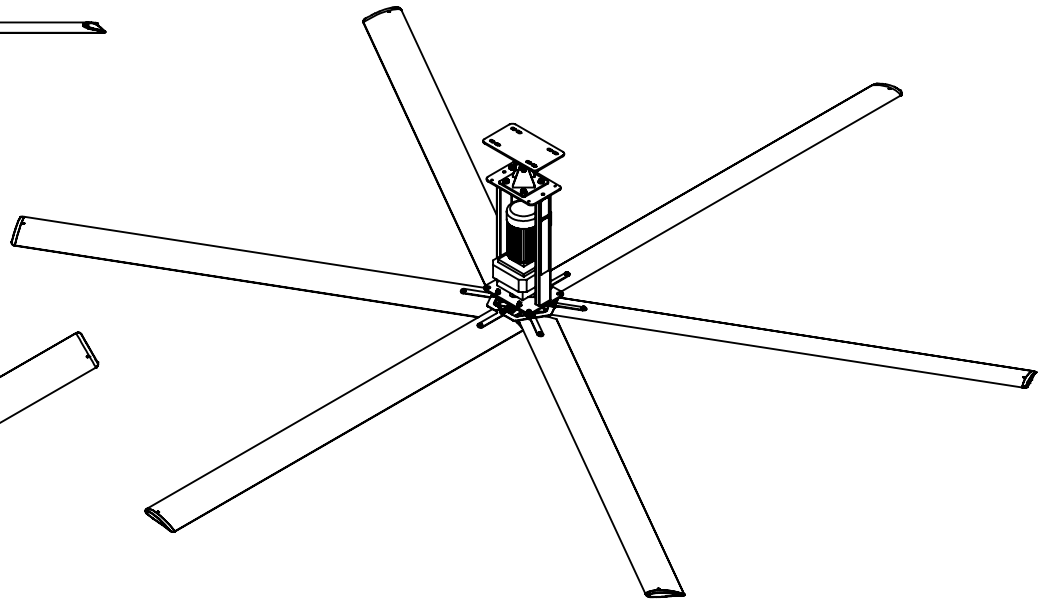
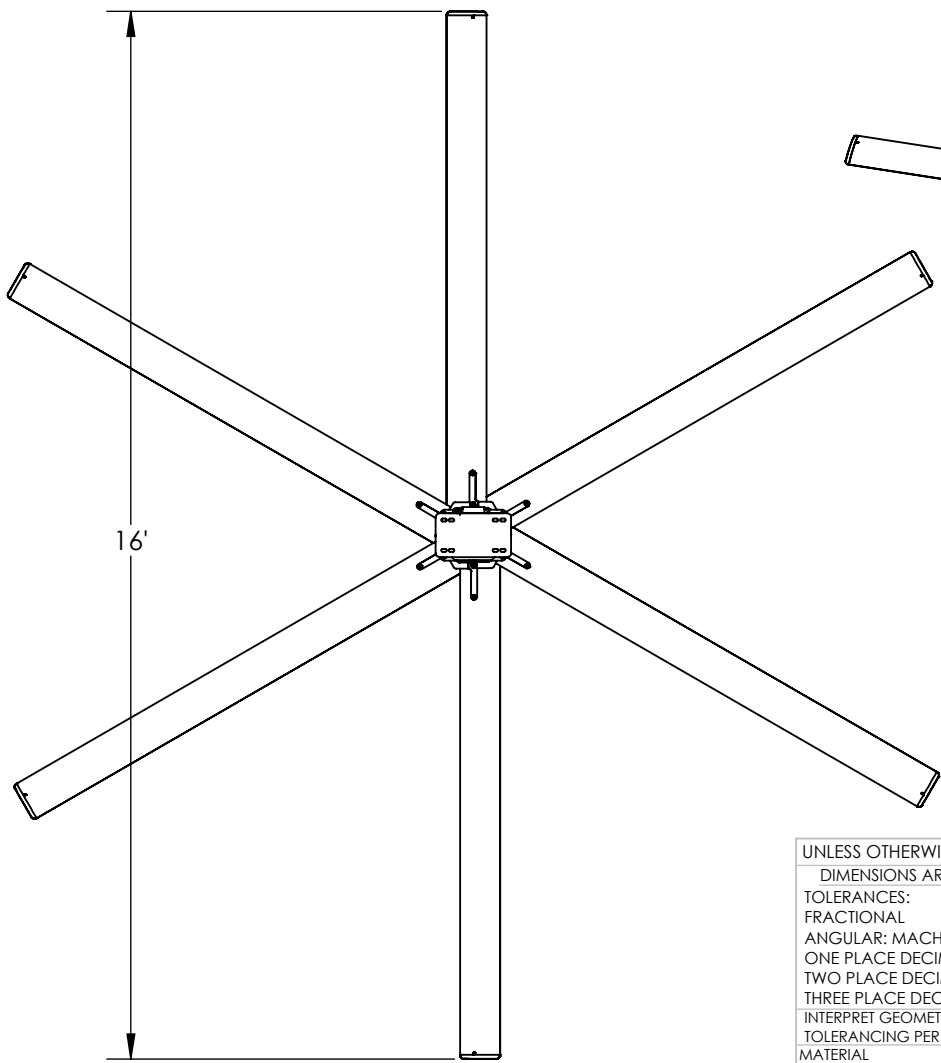
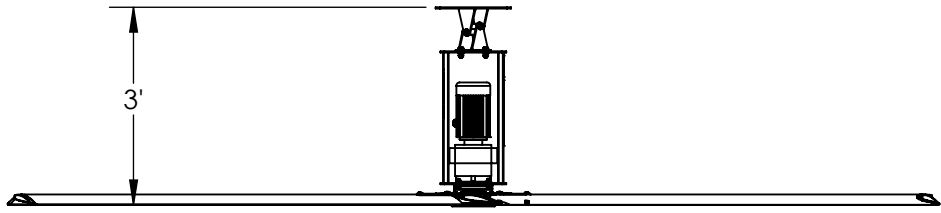
C

B

B

A

A



UNLESS OTHERWISE SPECIFIED: DIMENSIONS ARE IN INCHES	APPROVALS	NAME	DATE
TOLERANCES:	DRAWN	RSAMFORD	06/23/21
FRACTIONAL ±1/16	CHECKED	M.DETTOR	06/23/21
ANGULAR: MACH ±1° BEND ±1°	ENG APPR.		
ONE PLACE DECIMAL ±.1	MFG APPR.		
TWO PLACE DECIMAL ±.02	Q.A. APPR.		
THREE PLACE DECIMAL ±.005			
INTERPRET GEOMETRIC TOLERANCING PER: ASME Y14.5			
MATERIAL	PROPRIETARY AND CONFIDENTIAL		
N/A	THE INFORMATION CONTAINED IN THIS DRAWING IS THE SOLE PROPERTY OF MacroAir TECHNOLOGIES. ANY REPRODUCTION IN PART OR AS A WHOLE WITHOUT THE WRITTEN PERMISSION OF MacroAir TECHNOLOGIES IS PROHIBITED.		
FINISH			
N/A			
DO NOT SCALE DRAWING			

MacroAir Technologies 794 S Allen St. San Bernardino, CA 92408		
TITLE: 16' MacoAir AirLegacy FAN, (FOR REFERENCE ONLY)		
SIZE	DWG. NO.	REV
A	MZ16-0000-PA	N/A
SCALE: 1:35	WEIGHT: 96.30	SHEET 1 OF 1

5

4

3

2

1

5

4

3

2

1

D

D

C

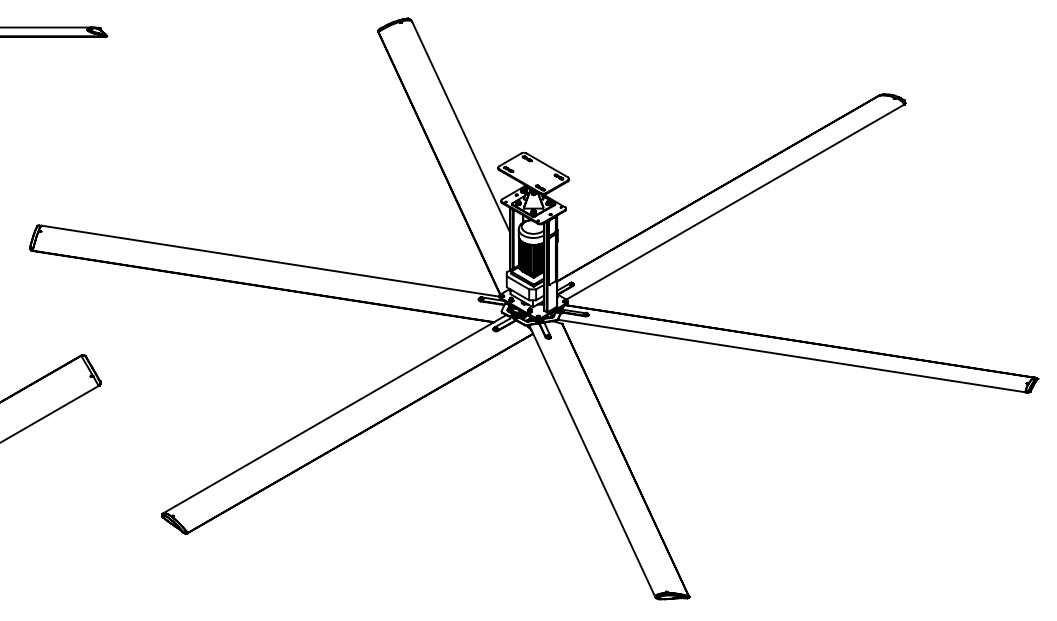
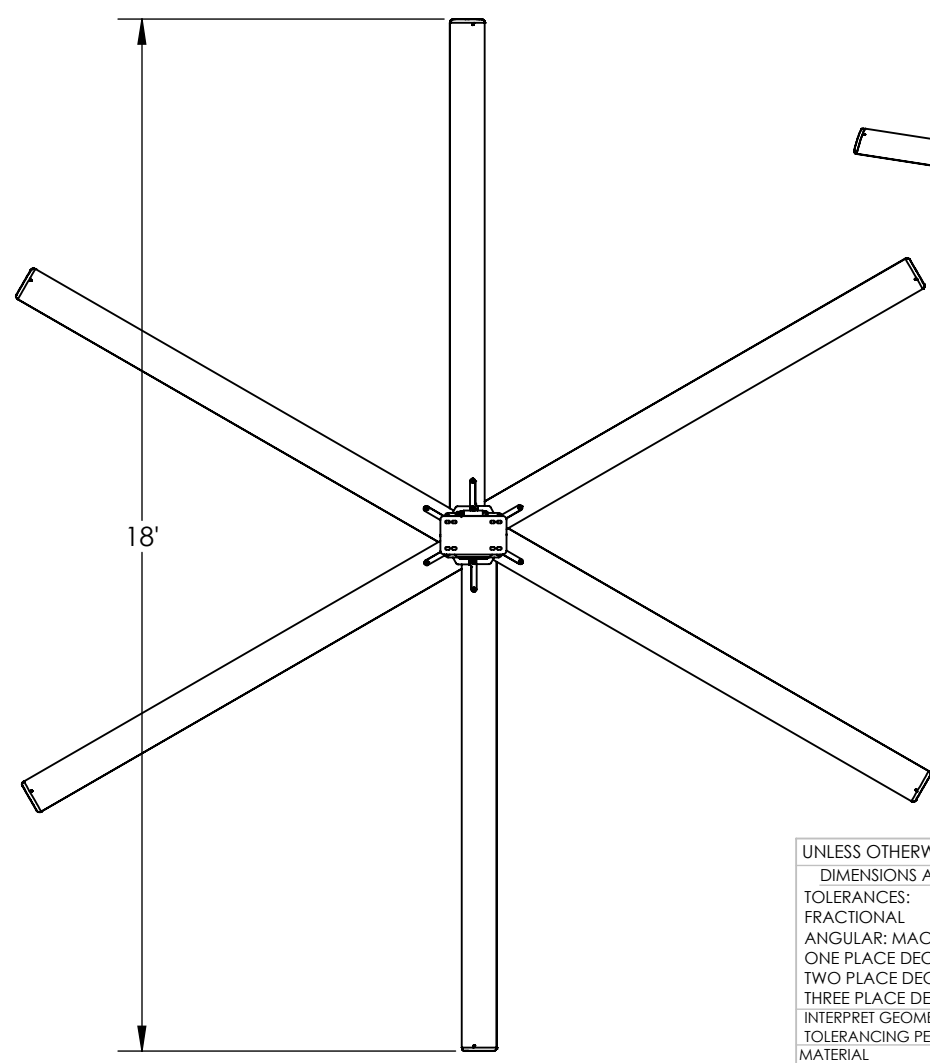
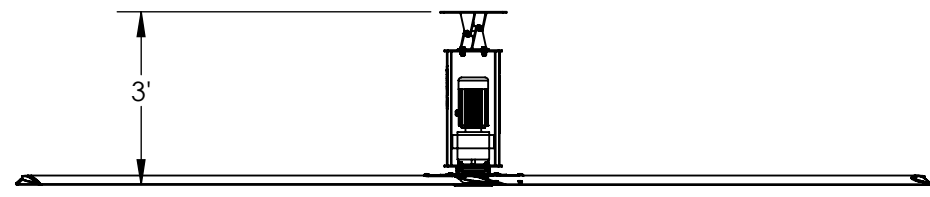
C

B

B

A

A



UNLESS OTHERWISE SPECIFIED: DIMENSIONS ARE IN INCHES TOLERANCES: FRACTIONAL ±1/16 ANGULAR: MACH ±1° BEND ±1° ONE PLACE DECIMAL ±.1 TWO PLACE DECIMAL ±.02 THREE PLACE DECIMAL ±.005 INTERPRET GEOMETRIC TOLERANCING PER: ASME Y14.5 MATERIAL N/A FINISH N/A DO NOT SCALE DRAWING	APPROVALS	NAME	DATE	MacroAir Technologies 794 S Allen St. San Bernardino, CA 92408 TITLE: 18' MacoAir AirLegacy FAN, (FOR REFERENCE ONLY)		
	DRAWN	RSAMFORD	06/23/21			
	CHECKED	M.DETTOR	06/23/21			
	ENG APPR.					
	MFG APPR.			SIZE	DWG. NO.	REV
	Q.A. APPR.			A	MZ18-0000-PA	N/A
PROPRIETARY AND CONFIDENTIAL THE INFORMATION CONTAINED IN THIS DRAWING IS THE SOLE PROPERTY OF MacroAir TECHNOLOGIES. ANY REPRODUCTION IN PART OR AS A WHOLE WITHOUT THE WRITTEN PERMISSION OF MacroAir TECHNOLOGIES IS PROHIBITED.				SCALE: 1:40	WEIGHT: 99.57	SHEET 1 OF 1

5

4

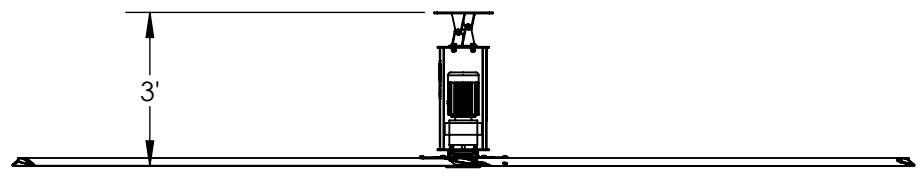
3

2

1

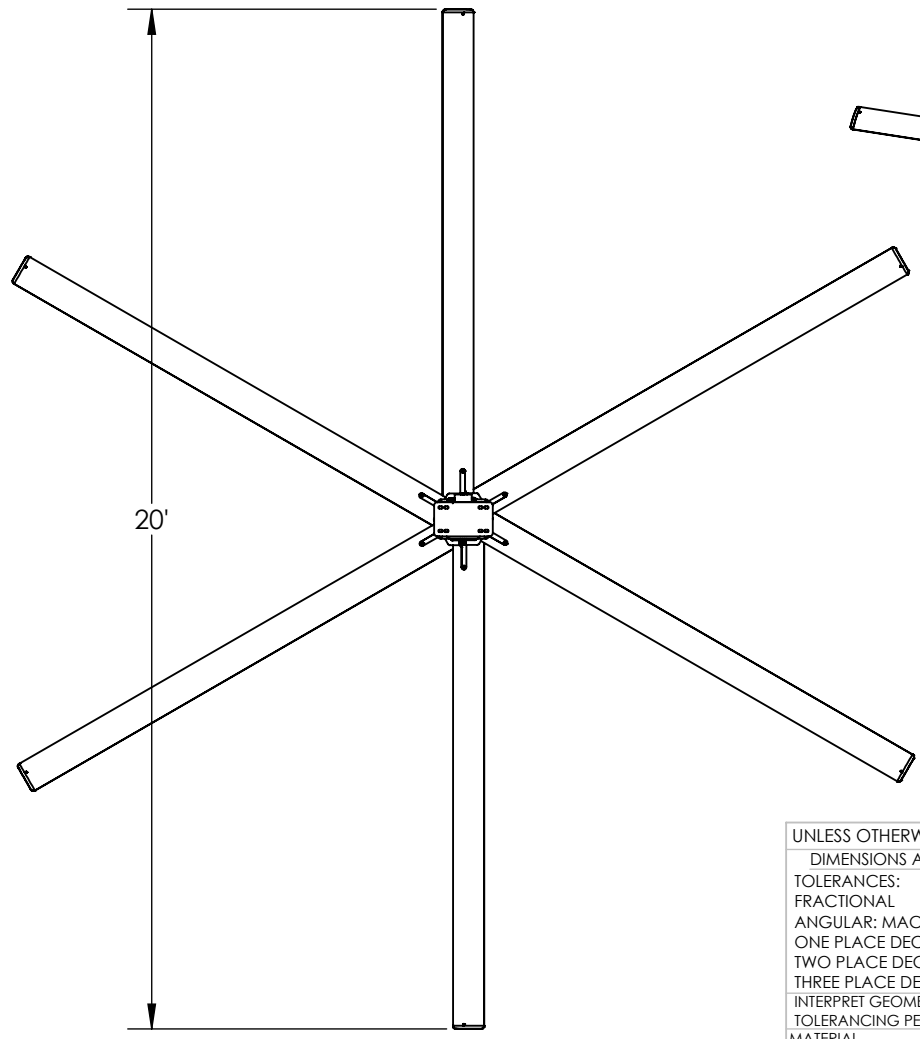
5 4 3 2 1

D



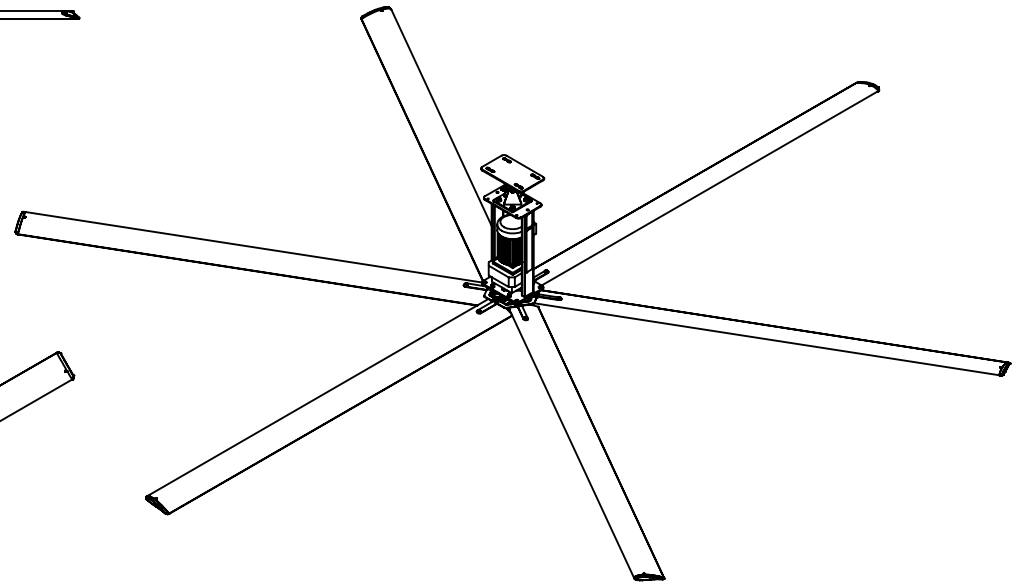
D

C



C

B



B

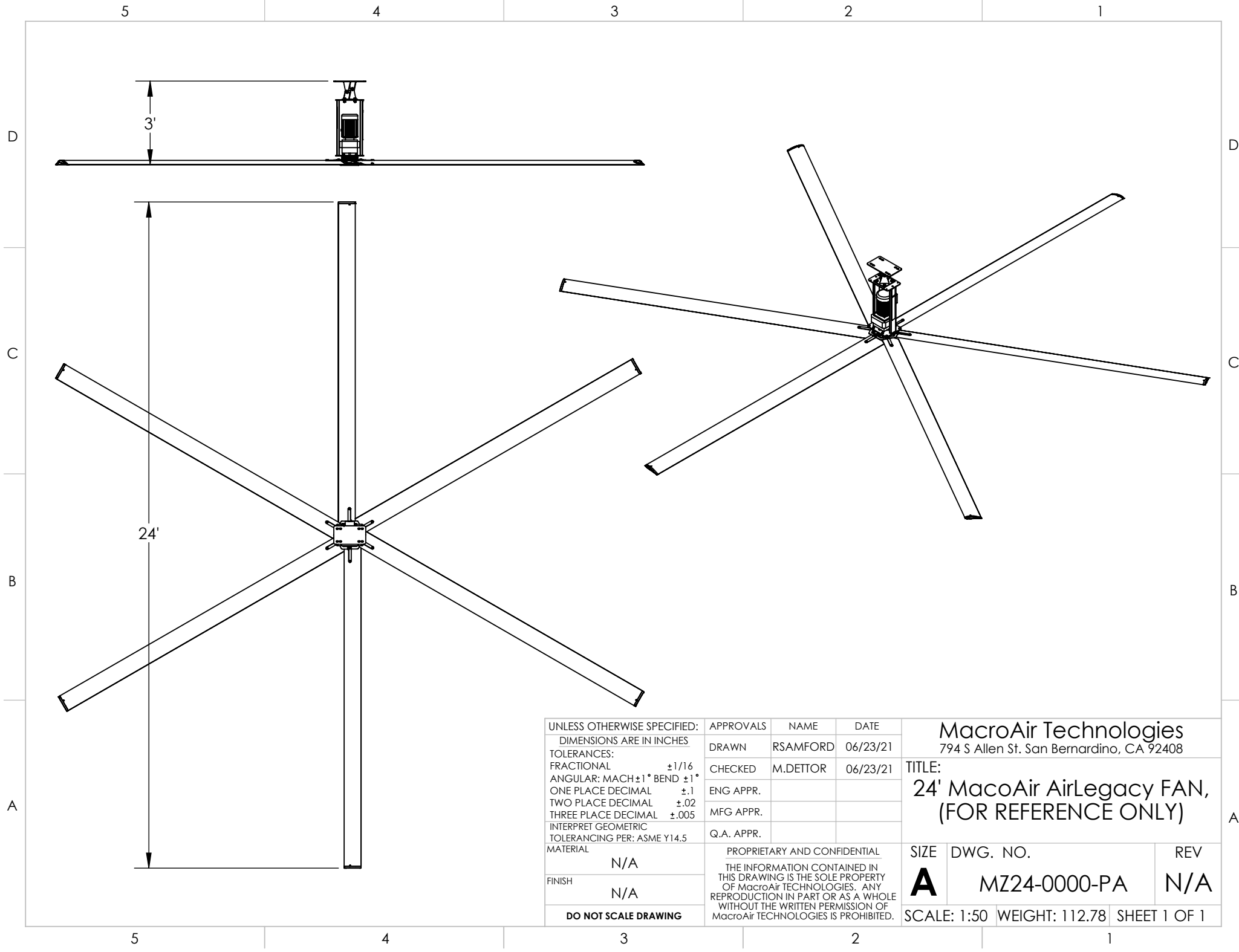
A

UNLESS OTHERWISE SPECIFIED: DIMENSIONS ARE IN INCHES TOLERANCES: FRACTIONAL ±1/16 ANGULAR: MACH ±1° BEND ±1° ONE PLACE DECIMAL ±.1 TWO PLACE DECIMAL ±.02 THREE PLACE DECIMAL ±.005 INTERPRET GEOMETRIC TOLERANCING PER: ASME Y14.5 MATERIAL N/A FINISH N/A DO NOT SCALE DRAWING	APPROVALS	NAME	DATE
	DRAWN	RSAMFORD	06/23/21
	CHECKED	M.DETTOR	06/23/21
	ENG APPR.		
	MFG APPR.		
	Q.A. APPR.		

MacroAir Technologies 794 S Allen St. San Bernardino, CA 92408		
TITLE: 20' MacoAir AirLegacy FAN, (FOR REFERENCE ONLY)		
SIZE	DWG. NO.	REV
A	MZ20-0000-PA	N/A
SCALE: 1:45	WEIGHT: 106.13	SHEET 1 OF 1

A

5 4 3 2 1



UNLESS OTHERWISE SPECIFIED: DIMENSIONS ARE IN INCHES TOLERANCES: FRACTIONAL ±1/16 ANGULAR: MACH ±1° BEND ±1° ONE PLACE DECIMAL ±.1 TWO PLACE DECIMAL ±.02 THREE PLACE DECIMAL ±.005 INTERPRET GEOMETRIC TOLERANCING PER: ASME Y14.5 MATERIAL FINISH DO NOT SCALE DRAWING	APPROVALS	NAME	DATE
	DRAWN	RSAMFORD	06/23/21
	CHECKED	M.DETTOR	06/23/21
	ENG APPR.		
	MFG APPR.		
	Q.A. APPR.		
	PROPRIETARY AND CONFIDENTIAL THE INFORMATION CONTAINED IN THIS DRAWING IS THE SOLE PROPERTY OF MacroAir TECHNOLOGIES. ANY REPRODUCTION IN PART OR AS A WHOLE WITHOUT THE WRITTEN PERMISSION OF MacroAir TECHNOLOGIES IS PROHIBITED.		

MacroAir Technologies 794 S Allen St. San Bernardino, CA 92408		
TITLE: 24' MacoAir AirLegacy FAN, (FOR REFERENCE ONLY)		
SIZE	DWG. NO.	REV
A	MZ24-0000-PA	N/A
SCALE: 1:50	WEIGHT: 112.78	SHEET 1 OF 1

Installation Manual

MacroAir AirLegacy



Pre-Installation Checklist	Pre-Installation Checklist 2
Introduction	Caution & Safety 3
	Fan Clearance and Placement 6
Pre-Installation	I-Beam/Glulam Chart, Max Amp Draw 8
	Fan Dimensions & Components 9
	Universal Mount & Components 10
	Control Panel & Components 12
	Tools Required 13
Installation Overview	I-Beam 14
	Glulam 15
Installing the Fan	UMH I-Beam Mounting 16
	UMH Glulam Mounting 19
	UMH Unistrut Mounting 22
	Mounting an Extension, Torque spec for Extension or UMH 24
	Safety Cable Installation 25
Installing Guy Wires	Guy Wire Installation 26
	Guy Wire Band Installation 28
Installing Fan Blades	Blade & Safety Link Assembly 30
After Hanging the Fan	Remove the Gearmotor Breather Plug, Remove the Sensor Plug (if Present) 32
Wiring the Fan	Electrical & Safety Cable Installation 33
	Control Panel Overview 34
	Control Panel Schematic 35
Information	UMH Mounting 37
	Maintenance 38
	Troubleshooting 39
	Warranty 40

Literature (Pg. 3)

- Order Verification.** I have verified the order information. All components are accounted for.
- Read.** I have read this Installation Manual and all other instructions before installing this fan

Power (Pg. 3-4)

- Power Requirements.** I have verified the incoming power supply is sufficient for the fan.

Safety (Pg. 4-5)

- Safety Familiarity.** I am familiar with the safety components and features of the fan. I have verified the presence of a safety cable, safety retainer links and guy wires.
- Corrosive Environments.** I have verified the fan purchased is suitable for the environment in which it is to be installed.

Airfoils (Pg. 5-7)

- Height from Floor.** I have verified the airfoils will be at least 10ft (3.05 m) above the floor.
- Application Clearance.** I have consulted the manual to determine that the airfoils will meet or exceed the clearance requirements regarding obstructions, or other fans.
- Airfoil Reach.** I have verified the airfoils will be mounted such that they are at least 3 feet away from any area where someone can extend outward and reach them.
- High Winds.** I have verified the fan will not be subjected to high winds from any outside influences, such as large garage door openings or HVAC systems.
- Diffuser Interference.** If diffusers are present, I will ensure that the fan is mounted at least 1.5X the diameter of the fan away from any source of airflow.
- Airfoil Compatibility.** I have verified the Airfoils and other fan components are those that shipped with the motor unit.
- Installing Multiple Fans.** I will not mix and match any hardware or blades.

Structure (Pg. 6-8)

- Application Suitability.** I have verified the application was approved by a structural engineer. I have checked the hanging weight and torque specs in the installation manual to ensure that the mounting structure can withstand the forces generated by the fan.
- Structural Suitability.** I have verified the building structure is suitable for this fan mounting. The fan will be mounted to an I-beam or Glulam or similar. I will not mount the fan to a single purlin, truss, or bar joist. I will consult a structural engineer for mounting not covered herein.
- Mount Suitability.** I have the appropriate mount for this application. I have verified in the installation manual that the mounting option provided is suitable for this application. I will consult a structural engineer for applications and mounting methods not covered herein.

Caution and Safety

This appliance can be used by children aged from 8 years and above and persons with reduced physical, sensory or mental capabilities or lack of experience and knowledge if they have been given supervision or instruction concerning use of the appliance in a safe way and understand the hazards involved.

Children shall not play with the appliance. Cleaning and user maintenance shall not be made by children without supervision.

⚠ ATTENTION: Safety. READ AND SAVE THE ENTIRE MANUAL BEFORE OPERATING THE FAN. Ensure that all safety procedures and instructions are followed during the installation, operation, and servicing of the fan. Failure to apply these safety practices could result in death or serious injury. If you do not understand the instructions, please call our Technical Department for guidance.

⚠ ATTENTION: Damp and Corrosive Environments. MacroAir provides a stainless-steel fan alternative especially for excessively damp, caustic, or corrosive environments. It is recommended that the environmental conditions acting on a fan installation be reviewed to insure the proper choice of a fan purchase and special warranty considerations.

⚠ CAUTION: Non-Compliance. The fan installation should follow the recommendations outlined in this manual. MacroAir is not responsible for any injury or damage to persons or property because of 'not complying' with the recommendations outlined in the manual.

Electrical Guidelines

⚠ WARNING: Electrical Damage. Improper electrical installation can cause damage to the fan and interfere with other electronic equipment. In addition to standard electrical safety considerations, please observe the following:

- **MacroAir Cables.** The wiring from the control panel to the fan MUST be by MacroAir supplied shielded cable.
- **Electrical Interference.** Separate incoming power and CAT5 motor control cables by a minimum of six (6) inches to avoid communication issues.
- **Individual Fan Wiring.** Run wiring for each fan separately.
- **Multiple Fans.** Do not attempt to control multiple fans from one (1) control panel.
- **ALWAYS GROUND PROPERLY.** Connect the supplied cable glands to each end of the motor cable and tighten them securely at both the fan motor and control panel ends. Connect the ground bar in the control panel to ground at the main breaker and test.
- **Read.** Please refer to the installation instructions for more information.

⚠ ATTENTION: Qualified Technicians. All fan controls should only be installed by qualified technicians familiar with the requirements of the National Electrical Code (NEC) and local codes. Refer to appropriate portions of this manual for other important requirements. Failure to follow these guidelines will void the manufacturer's warranty.

Electrical Guidelines cont.

⚠ ATTENTION: Factory Configured. All electrical controls are configured at the factory and are ready to use. No user adjustments are available. Follow the included wiring schematics and installation instructions when installing this device to ensure proper operation. Do not make any changes to any part of the motor control panel without first consulting MacroAir.

⚠ ATTENTION: Code Compliance. Installation is to be in accordance with the NEC, ANDSI/NFPA 70-1999 and local codes.

Hazard of Electrical Shock, Explosion or Arc Flash:

⚠ ATTENTION: Read. Read and understand this manual before installing or operating a fan unit. Installation, adjustment, repair, and maintenance must be performed by qualified personnel.

⚠ ATTENTION: Code Compliance. The user is responsible for compliance with all international and National Electrical Code requirements with respect to grounding of all equipment.

⚠ WARNING: Do Not Touch. Many of the parts of this unit operate at line voltage. DO NOT TOUCH.

⚠ WARNING: Covers. Install all covers before applying power or starting and stopping the unit.

Installation and Service

⚠ WARNING: Damage. Do not operate or install any fans or fan accessories that appear to be damaged.

⚠ WARNING: Death and Injury. Failure to follow this instruction can result in death, serious injury, or equipment damage.

⚠ WARNING: Disconnect Power. If the fan does not operate properly using the procedures in this manual BE CERTAIN TO REMOVE ALL POWER TO THE UNIT and contact our technical department for further assistance.

⚠ CAUTION: Moving Parts. Keep all body parts clear of moving parts at all times.

⚠ ATTENTION: Qualified Technicians. All electrical troubleshooting and repair must be done by a qualified technician and meet all applicable codes.

⚠ WARNING: Anti-Seize Lubricant. In all instances where stainless steel hardware is used, anti-seize lubricant must be applied to hardware prior to installing and tightening to specified torque.

Key Safety Systems

⚠ ATTENTION: Safety. MacroAir fans are engineered with key safety features to prevent pieces of the fan from falling in the unlikely event of a catastrophic failure. Used together, these systems and devices provide comprehensive protection to people, equipment and property.

Key Safety Systems, cont.

⚠ WARNING: Safety Cable and Guy Wires. Install safety cable on EVERY fan. Install guy wires on every fan, unless otherwise specified. Properly installing the guy wires will keep the fan stable in case of earthquake or in “outdoor” installations where high wind conditions may occur. The safety cable, if installed per MacroAir specifications, will prevent the fan from falling in the unlikely event that the mounting system should fail.

⚠ WARNING: Safety Cable. A MacroAir fan should never be run without a properly installed safety cable, which is supplied with every fan along with all required hardware. You must install a safety cable for the warranty to be in effect.

⚠ WARNING: Blade Safety Links. Install the complete set of extended blade safety links, which connect each blade to the adjacent blades and reinforce the area between the mounting holes. This is an important precautionary measure which will help prevent a blade from falling should one break off at the hub for any reason.

⚠ ATTENTION: Mark the Floor to Alert Personnel. When mounting a fan in an area where materials may be elevated into its path, MacroAir recommends marking or painting the floor with a large, crosshatched circle to alert personnel of the overhead location of fans.

Mounting Guidelines

⚠ WARNING: Weight Considerations. We recommend that a building structure be capable of holding approximately twice the stated hanging weight of the fan. If there is some doubt of this, a professional contractor or architect should perform a thorough evaluation of the building prior to purchasing the fans. MacroAir provides guidelines for mounting fans; however, it is the sole responsibility of the building owner and installer to ensure the safety of the mounting system, that the building structure is sound, and that the installation complies with all federal, state, and local codes.

⚠ WARNING: Torque. The maximum torque (twisting force) that must be handled by the mounting system, including the building structure, occurs at fan startup. For a 24-foot fan, maximum potential starting torque is 300 Ft-Lbs. When standard electrical controls are installed, the fan will never begin to approach this maximum because the standard variable-speed control system uses the soft-start fail, or when a fan is installed as a single-speed model without the variable speed control system (rare), full torque might be applied to the mounting system, so it is important that it be adequate to withstand 300 Ft-Lbs. torque.

⚠ ATTENTION: Check Federal, State, and Local Codes. Check all relevant codes to make sure that all product certifications, product listings, and building regulations are met. Code compliance is the responsibility of the installer.

⚠ WARNING: Welding. DO NOT attach the fan or fan mounting components to the building structure by welding that component to the structure. DO NOT cement the fan to the structure.

Clearance Guidelines

⚠ ATTENTION: Sprinkler Systems and Fan Placement. In any installation where fire sprinklers are in place, do not interfere with their correct operation. Fans should be located no less than 3 feet below a sprinkler and placed central to each sprinkler quadrant. Our standard variable-speed control system can be connected to a fire suppression control system, which will emergency-stop the fans in case of fire. (Reference p36, Digital Control Wiring Diagram)

⚠ ATTENTION: Sprinkler Systems and Code Compliance. Prior to installing fans, review all codes applicable to sprinkler systems and fans to ensure code compliance. Refer to the wiring diagrams packaged inside the control panel for proper installation. If further advice is needed, you may contact our support staff. However, it is your sole responsibility to see that the installation is completed to code and is correct.

General Information on Fan Placement and Spacing

⚠ ATTENTION: Strobe and Performance. If possible, avoid mounting fans directly below lights or skylights to avoid any strobe effect caused by moving blades. A large fan, 20-24 feet in diameter, performs best at 20 to 30 feet above the floor, but acceptable performance has been demonstrated as low as 10 feet and as high as 50 feet.

⚠ WARNING: Mezzanine Placement. If the building has a mezzanine, fans should be mounted so a person cannot reach a fan in any way from the upper level/deck. Make certain that fans are positioned so that blade tips are at least 3 feet away from any area where a person may be able to extend outward to reach them.

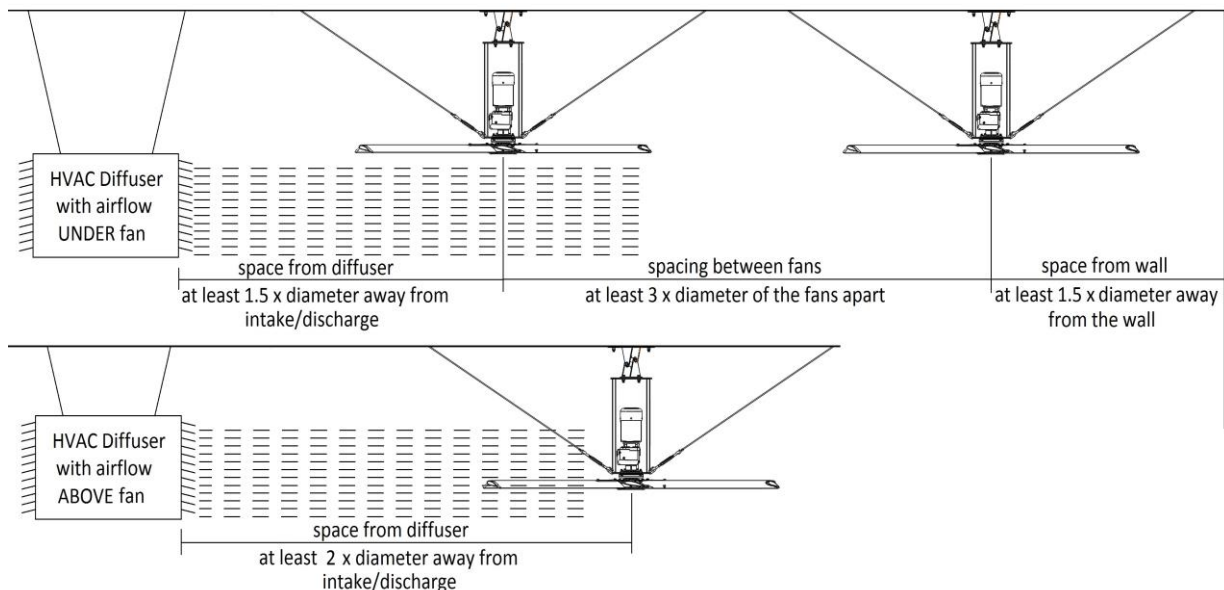


Figure 1: Fan Clearance and Placement

⚠ ATTENTION: The minimum distance of a fan to a wall or similar obstruction should be no less than 1.5 times the diameter of the fan. Reference Figure 1.

General Information on Fan Placement and Spacing, cont.

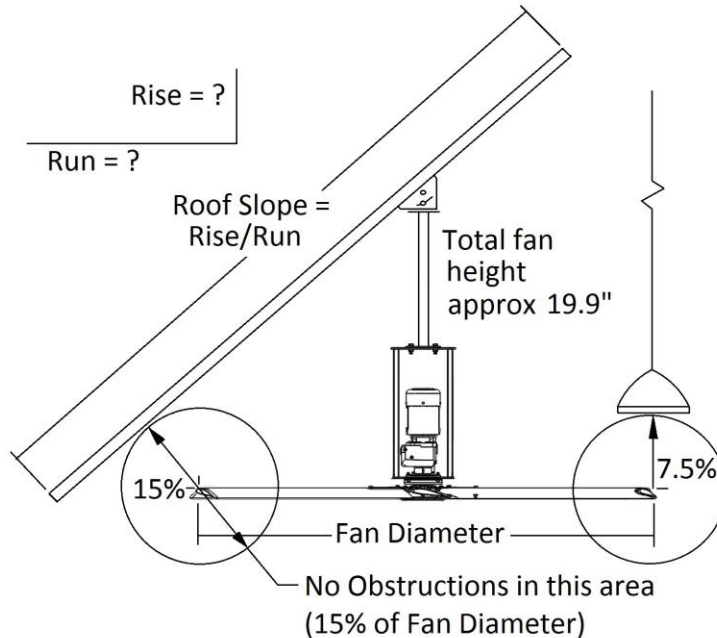


Figure 2: Roof Slope and Fan Clearance

Slope (in)	2/12	4/12	6/12	8/12	10/12	
Roof Angle	9.5°	18.4°	26.6°	33.7°	39.8°	
Diameter	Recommended Extension Length					Clearance Radius
8 feet	N/A	N/A	1	1	2	7"
10 feet	N/A	1	1	2	3	9"
12 feet	N/A	1	2	3	4	11"
14 feet	1	2	3	4	5	13"
16 feet	1	3	4	5	7	14"
18 feet	2	3	5	6	8	16"
20 feet	2	4	5	7	9	18"
24 feet	3	5	7	9	11	22"

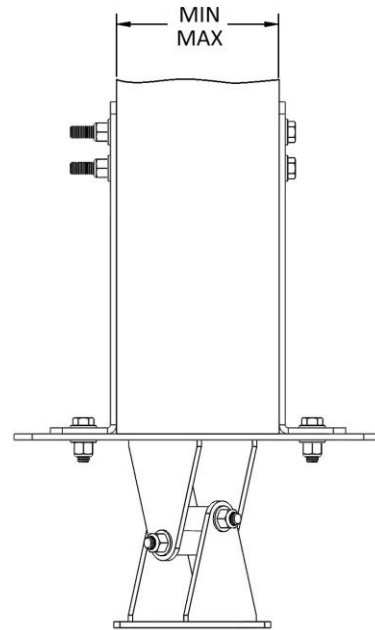
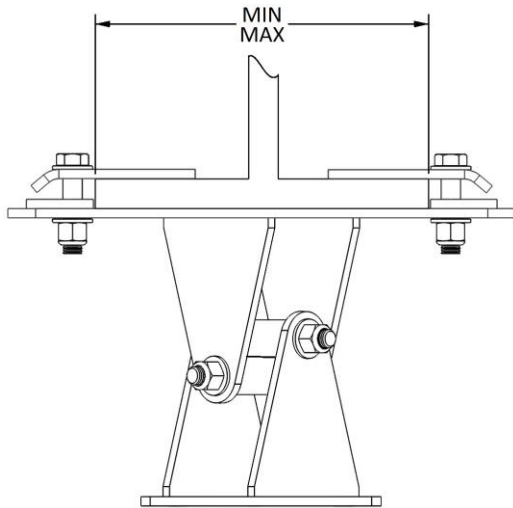
Figure 3: Roof Slope Table

⚠ WARNING: FANS ARE NOT MEANT TO BE OPERATED IN WINDY CONDITIONS.

The goal of Figures 2 and 3 are to determine the proper extension length to maintain a minimum blade clearance of 3 feet for optimal performance. The extension lengths above are minimum recommendations only, based solely on roof pitch and fan diameter. Other factors must be evaluated when determining extension requirements.

⚠ ATTENTION: Minimum Height. MacroAir requires that the fan blades must be a minimum of 10 feet (3.05 meters) above the floor. Contact MacroAir for assistance with fan placement and extension selection.

I-Beam/Glulam Chart



Std UMH/I-Beam Size Chart					
Range		Range		Range	
Min	Max	Min	Max	Min	Max
6.50	7.50"	7.88	8.88"	9.25	10.25"
Extra-Wide UMH/I-Beam					
11.76	13.26"	13.39	14.89"	15.02	16.52"
Rapid Mount/I-Beam					
6.50	7.50"	7.88	9.38"	10.25	11.25"

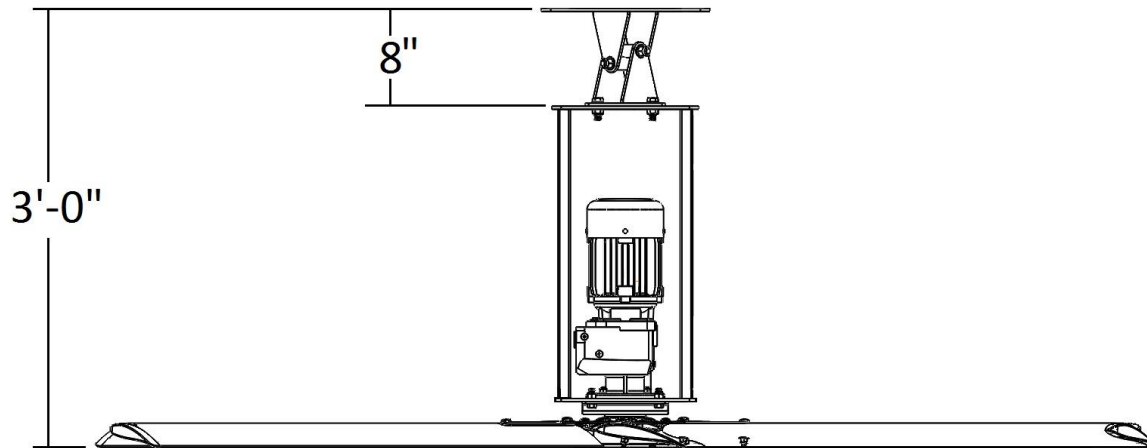
Std UMH/Glulam Size Chart					
Min Range		Mid Range		Max Range	
Min	Max	Min	Max	Min	Max
4.25	5.75"	5.63	7.13"	7.00	8.50"
Extra-Wide UMH/Glulam					
9.51	11.51"	11.14	13.14"	13.77	14.77"
Rapid Mount/Glulam					
5.13	5.75"	5.63	7.63"	8.00	9.50"

The Min Range dimension is determined by using the inside slots of the UMH Bracket. The Max Range by using the outside slots of the UMH bracket. The Mid Range by using a combination of Inside slots on one side and the outside slots on the other.

Max Amp Draw

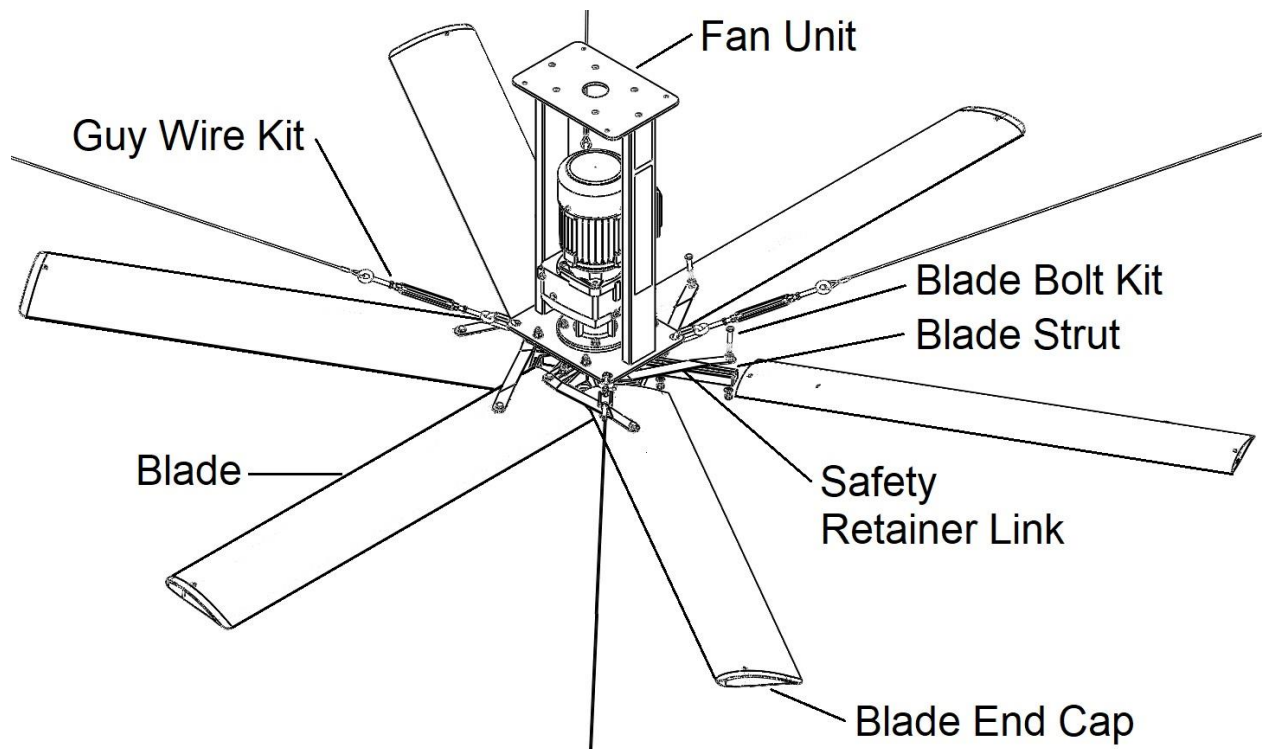
VOLTAGE AND PHASE	VFD MAX AMP DRAW
120VAC / 1 PHASE	16.6A
208-240VAC / 1 PHASE	20.2A
208-240VAC / 3 PHASE	10.8A
480VAC / 3 PHASE	4.3A
600VAC / 3 PHASE	2A

Fan Dimensions

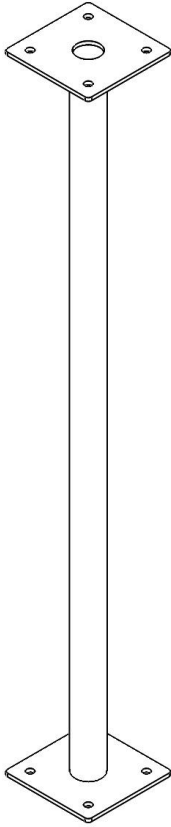


Dimensions listed above are applicable to all MacroAir AirLegacy fans.

Fan Components

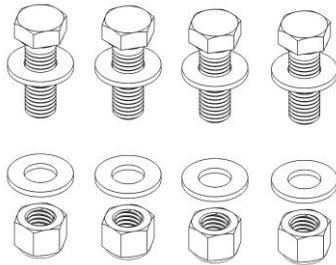


Universal Mount & Components



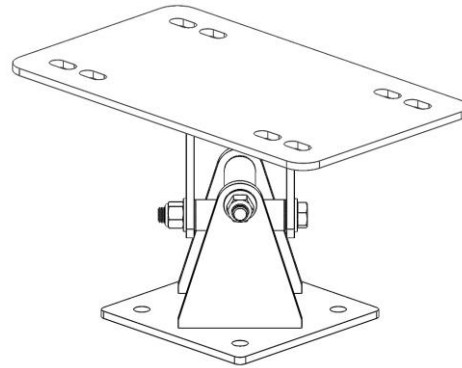
Universal Mount Extension
(optional)

Images are not to scale

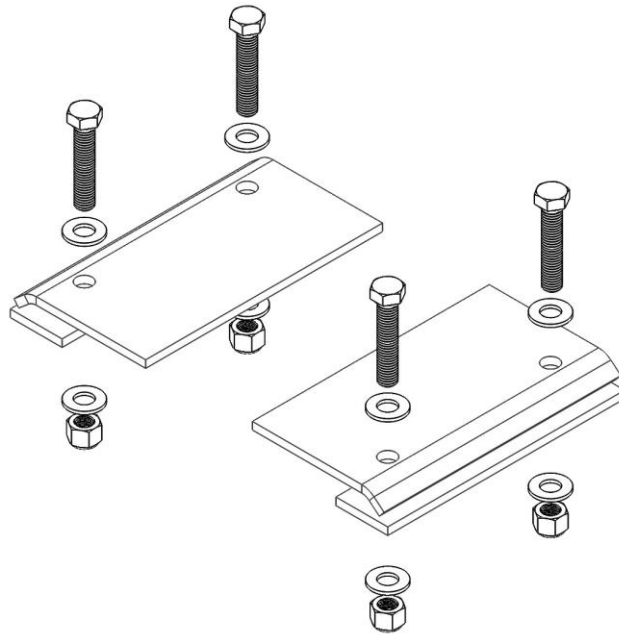


Universal Mount Bolt Kit

- (4) Hex Bolts 1/2"-13x1-1/2"
- (8) Washers, 1/2" Flat
- (4) Hex Nuts 1/2"-13, Nylon Lock



Universal Mount



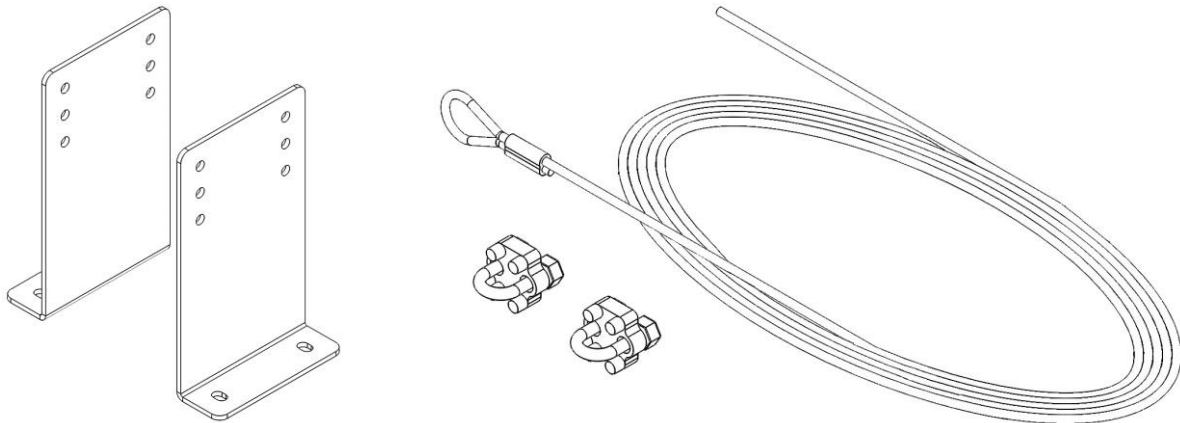
I-Beam Clamps & I-Beam Bolt Kit

- (2) I-Beam Clamps
- (2) I-Beam Shims
- (4) Hex Bolts 1/2"-13x2-1/2"
- (8) Washers, 1/2" Flat
- (4) Hex Nuts 1/2"-13, Nylon Lock

Unistrut Mount Bolt Kit (optional)

- Hardware Required but Not Provided:
- (4) 1/2"-13 x 1-1/2" Hex Bolts
 - (4) 1/2" Flat Washer
 - (4) 1/2" Unistrut Spring Nut

Universal Mount & Components (cont.)



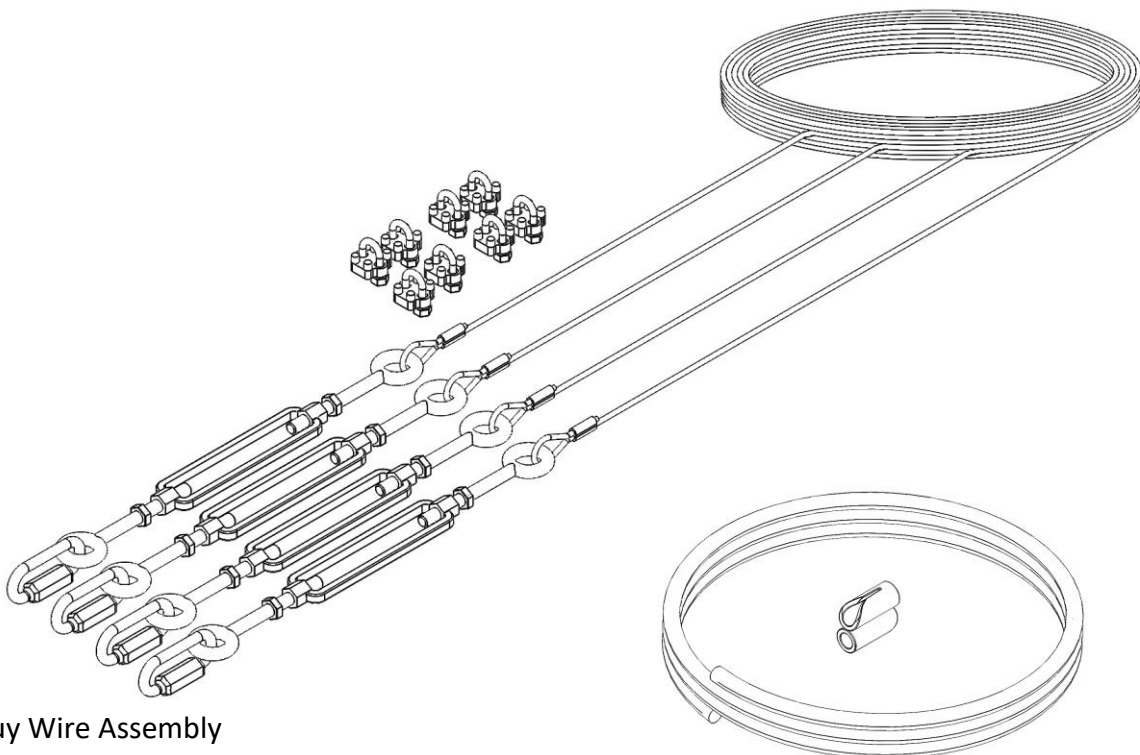
Glulam Brackets (optional)

Hardware Required but Not Provided:

- (4) 1/2"-13 Grade 5 Hex Bolts (at least 2-1/2" longer than Glulam)
- (8) 1/2" Flat Washers
- (4) 1/2" Nylon Lock Nuts

Safety Cable Kit

- (1) Wire Rope 3/16"
- (2) Wire Rope Clamps



Guy Wire Assembly

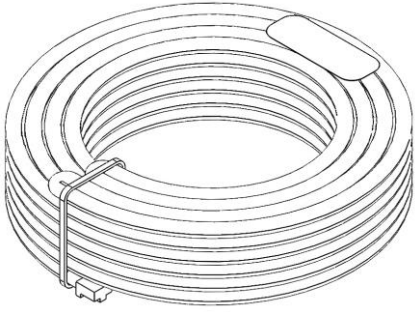
- (4) Wire Rope, 19ft (A), 23ft (B), 33ft (C)
- (4) Turn Buckles
- (4) 1/4" Quick Links
- (8) Wire Rope Clamps

Guy Wire Band Kit

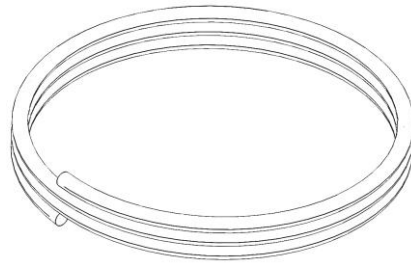
- (1) Elastic Cord
- (1) Cord Clip

Images are not to scale

Control Panel & Components

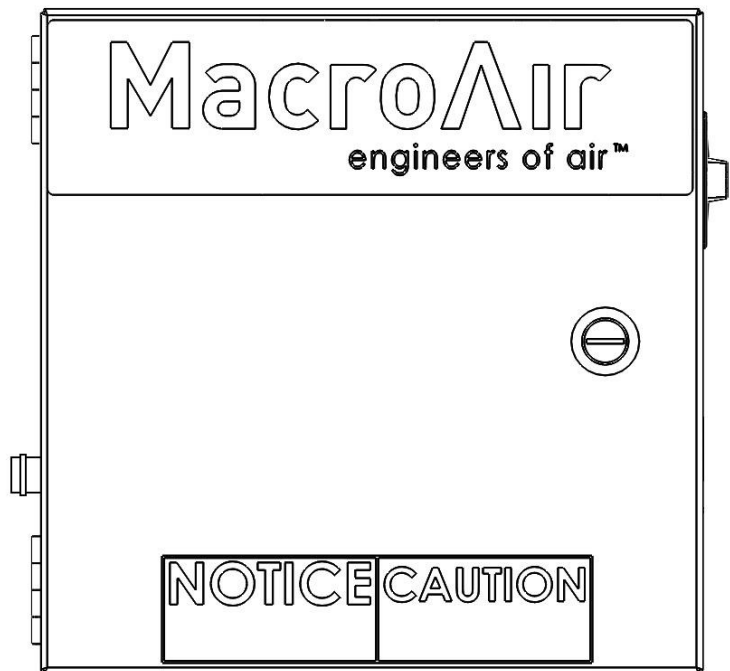


CAT5E Stranded Shielded Cable

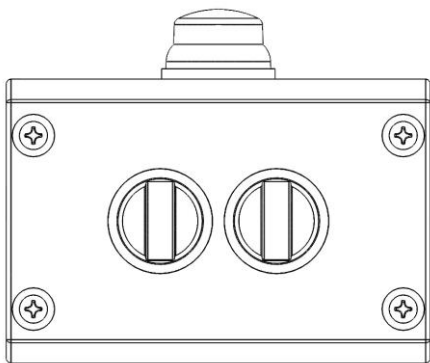


Motor Cable

Control Panel -----
(Physical Enclosure 12"x12"x8")



Motor Cable Gland -----
(installed by customer)



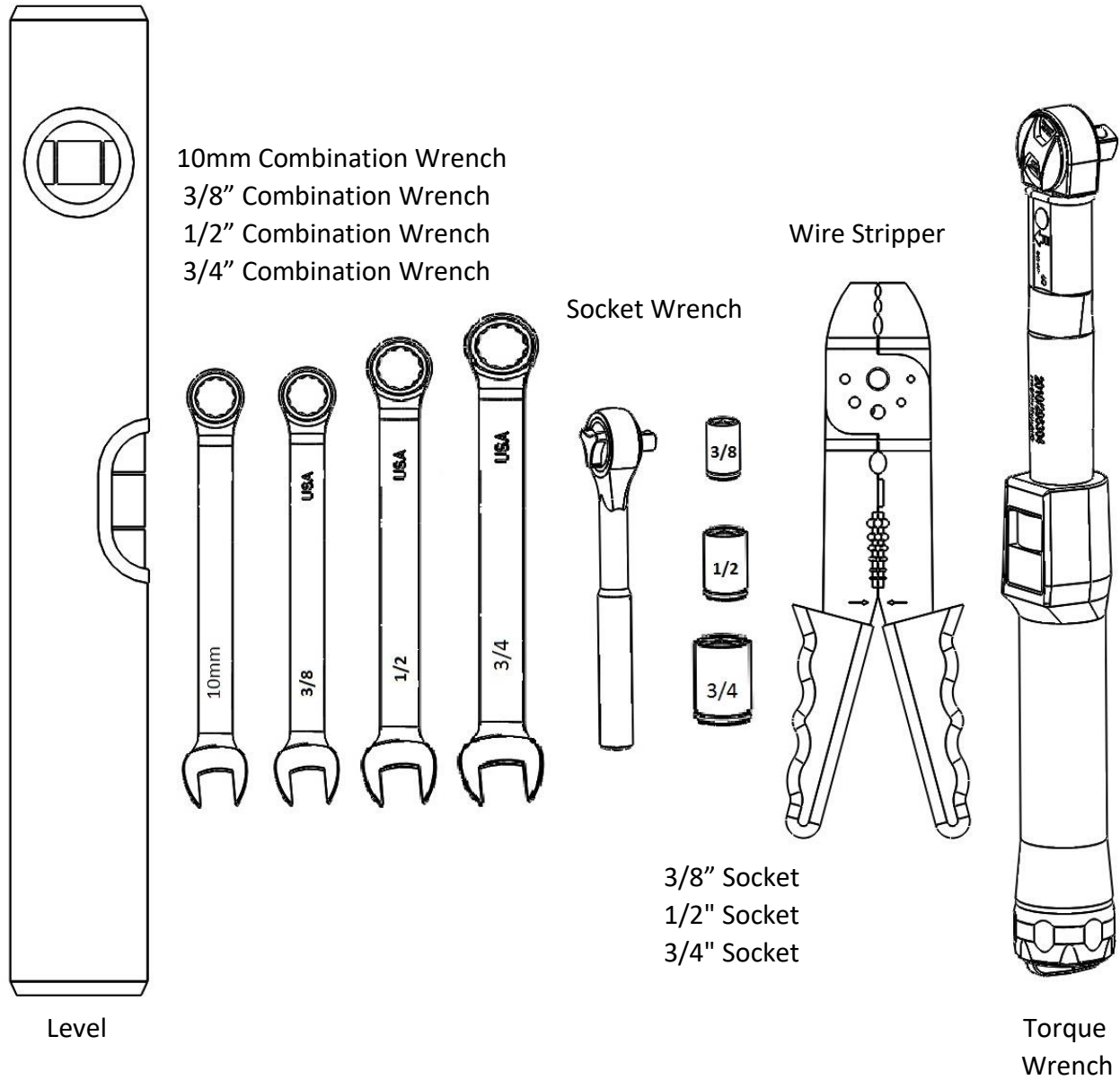
Analog Remote



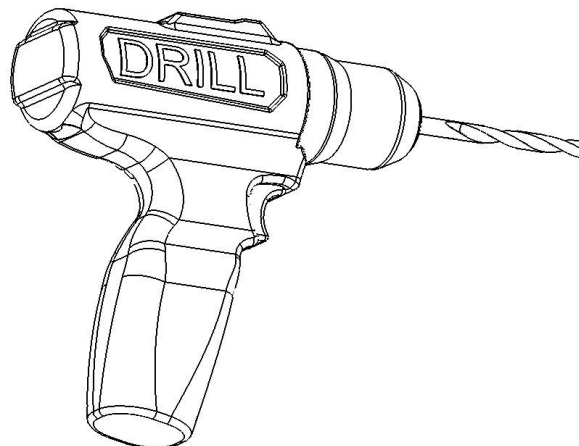
(6) Safety Retainer Link

Images are not to scale

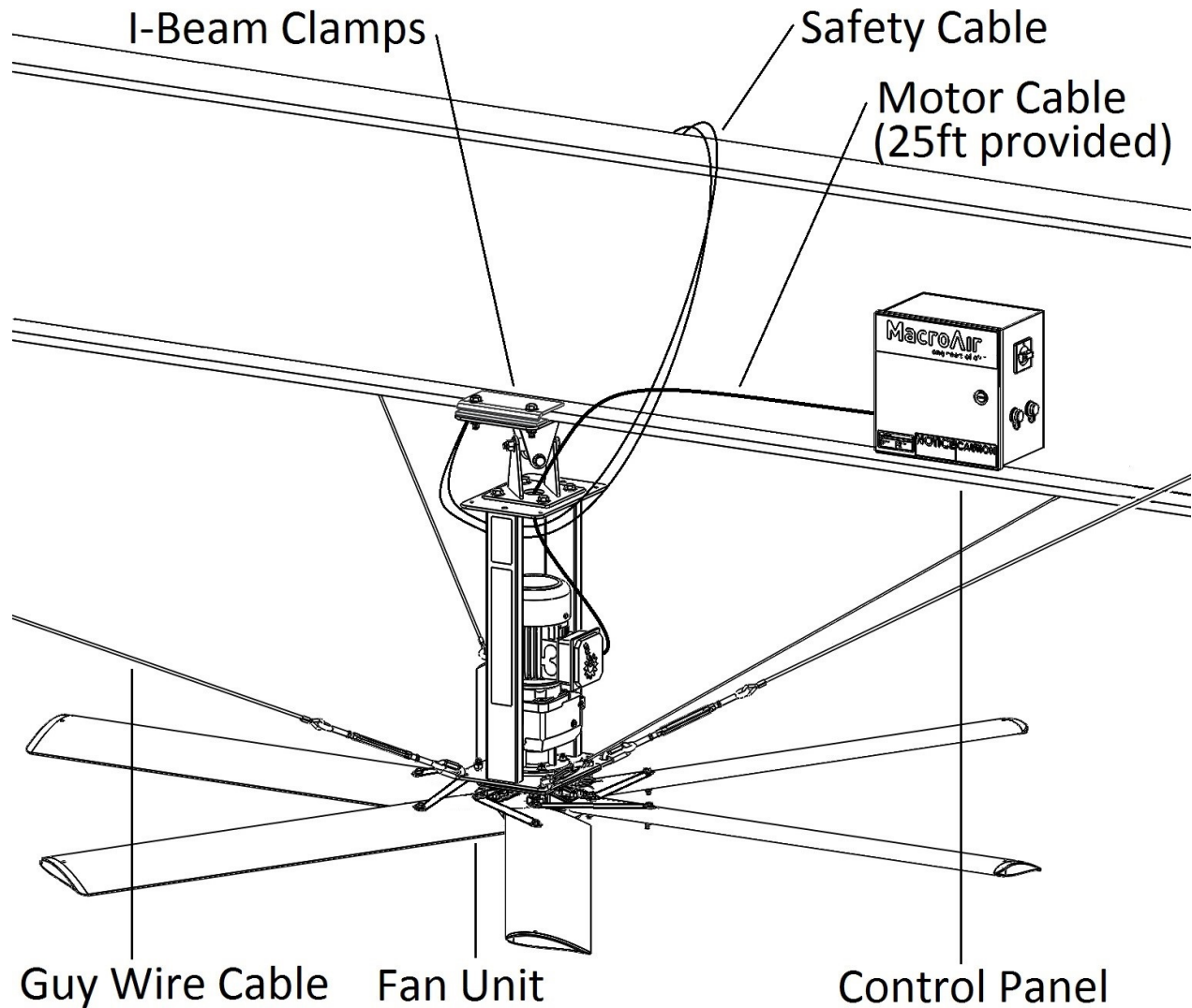
Tools Required



Note: A drill and drill bits will also be required when mounting brackets and control panel to Glulam.



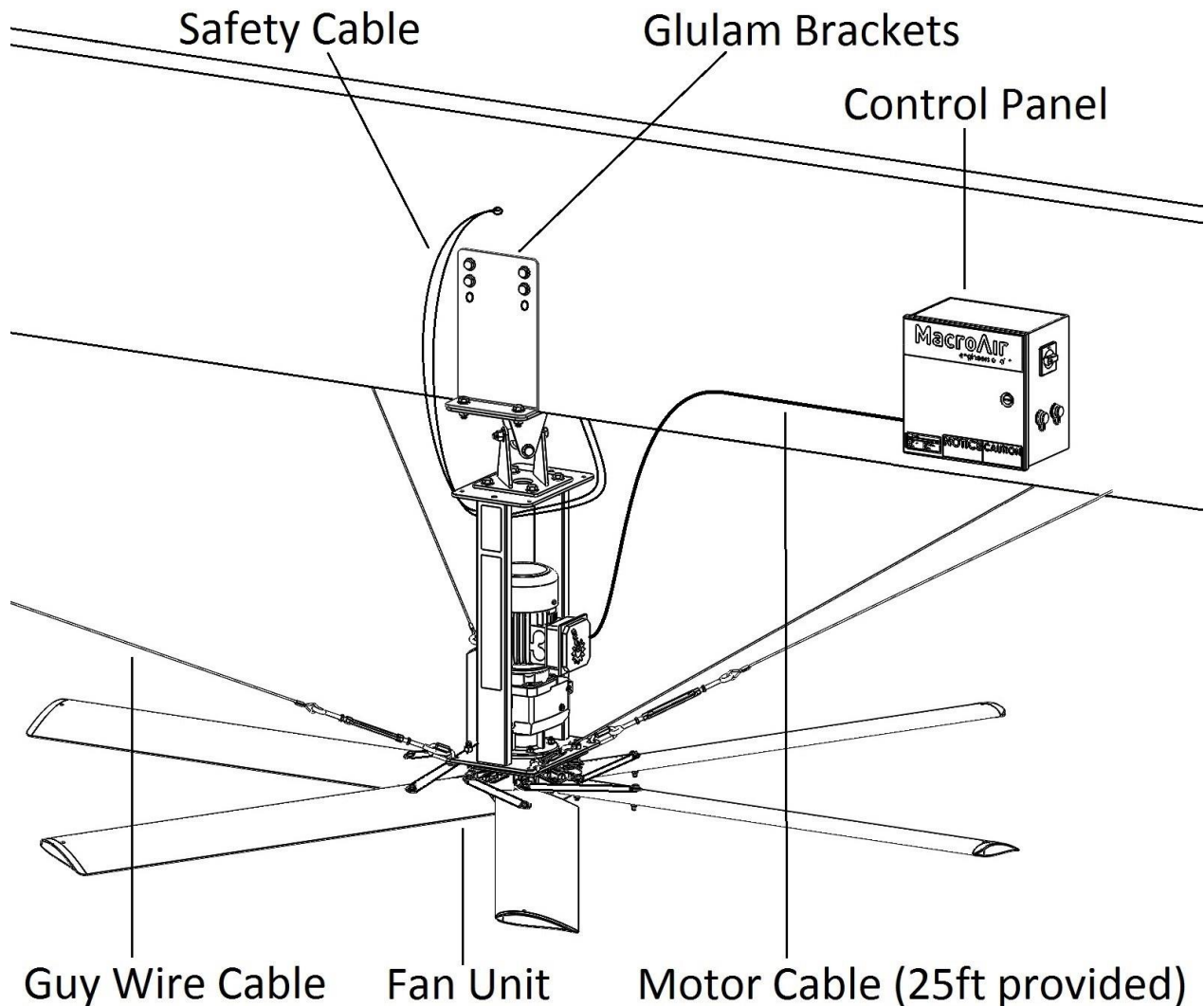
I-Beam



1. Mount Fan Unit to base of Universal Mount (UMH) using hardware pack, combination wrench, and socket wrench.
2. The Safety Cable needs to be fed around I-Beam and through fan unit frame.
3. The Control Panel must be secured to the I-Beam within 25 feet of the fan, 5 feet outside of the swept area.

⚠ WARNING: Anti-Seize Lubricant. In all instances where stainless steel hardware is used, anti-seize lubricant must be applied to hardware prior to installing and tightening to specified torque.

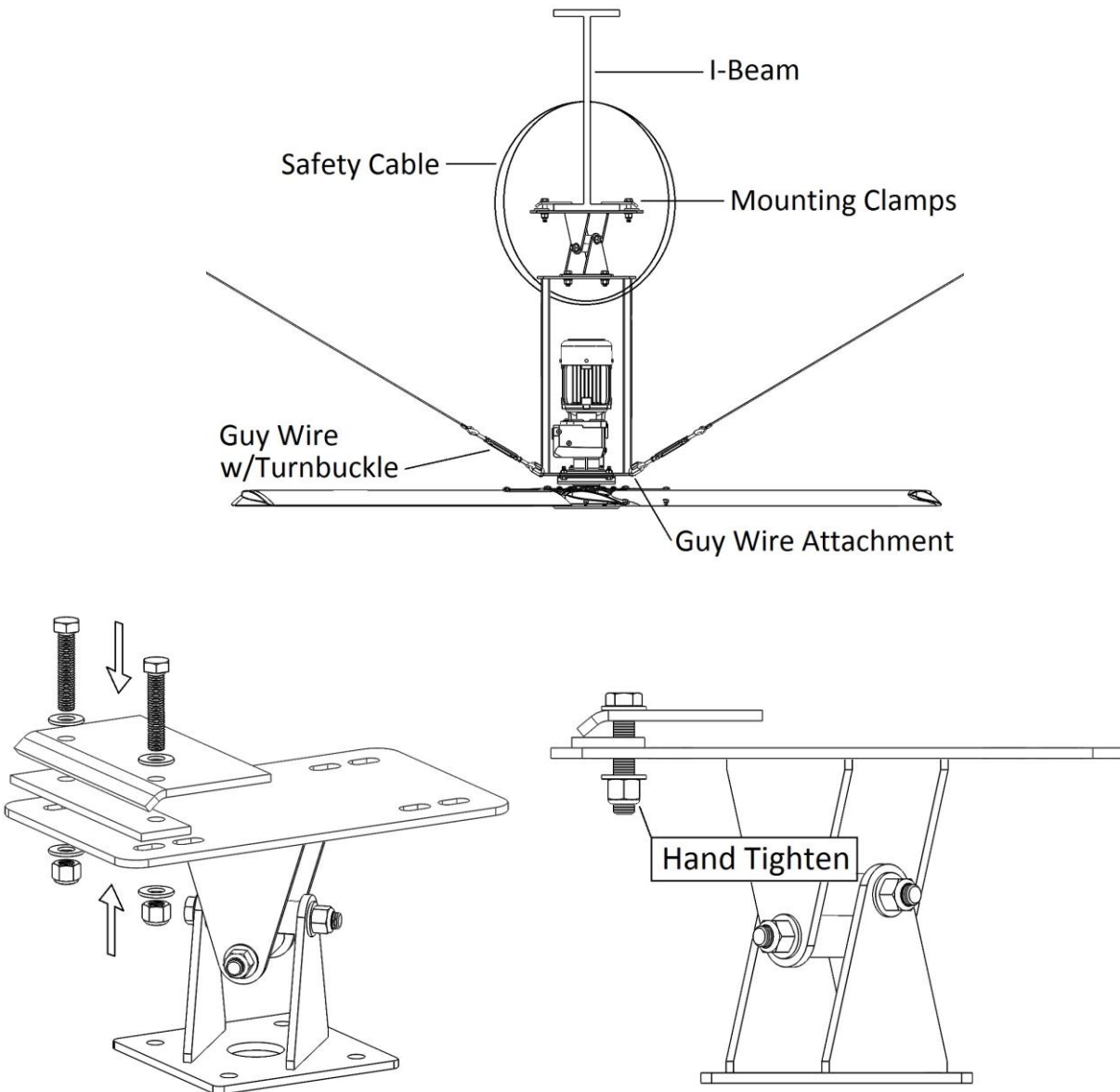
Glulam



1. The Safety Cable needs to be fed through a hole in the Glulam, preferably above the center line of the Glulam.
2. The Control Panel must be secured to the Glulam via wood screws within 25 feet of the fan, 5 feet outside of the swept area.
3. The Glulam brackets need to be through-bolted to the Glulam as high as possible.
4. Attach fan frame to the bottom of the Universal Mount with the provided hardware, combination wrench, and socket wrench.

⚠ WARNING: Anti-Seize Lubricant. In all instances where stainless steel hardware is used, anti-seize lubricant must be applied to hardware prior to installing and tightening to specified torque.

UMH I-Beam Mounting



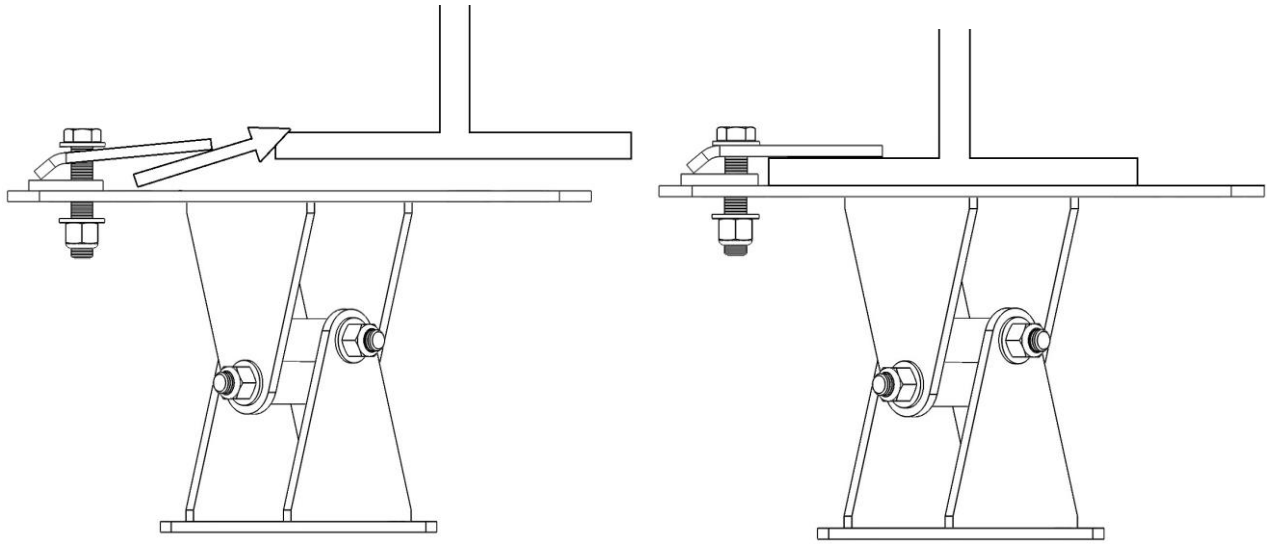
1.) Hand tighten Nuts to secure Clamp and Shim in place.

2.) Assemble one side of I-Beam Mount with (1) Clamp, (1) Shim and Hardware.

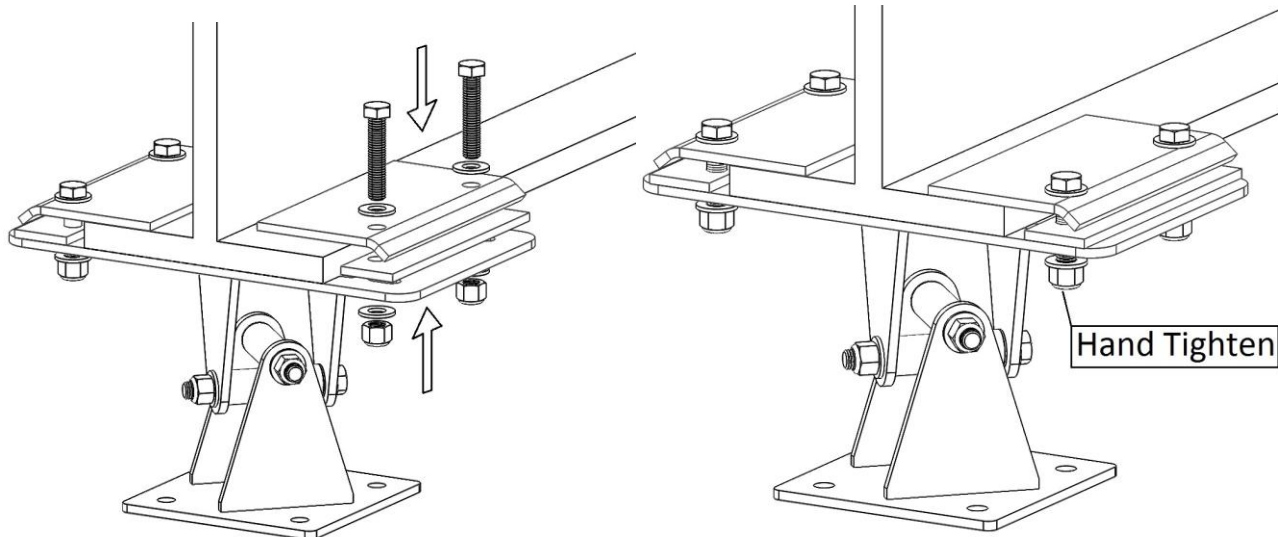
I-Beam Clamps & I-Beam Bolt Kit

- (2) I-Beam Clamps
- (2) I-Beam Shims
- (4) Hex Bolts 1/2" -13x2-1/2"
- (8) Washers, 1/2" Flat
- (4) Hex Nuts 1/2"-13, Nylon Lock

UMH I-Beam Mounting (cont.)



3. Position the UMH under the I-Beam so that one side of the beam is between the clamp and UMH.

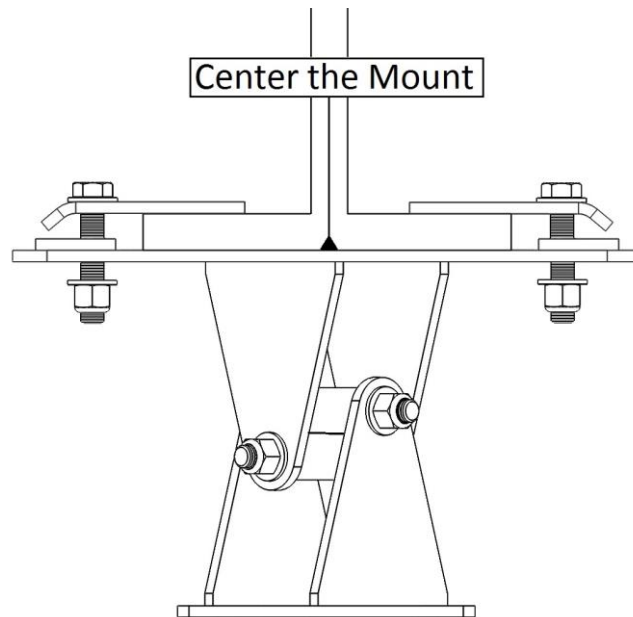


4. Assemble other side of I-Beam Mount with (1) Clamp, (1) Shim and Hardware.

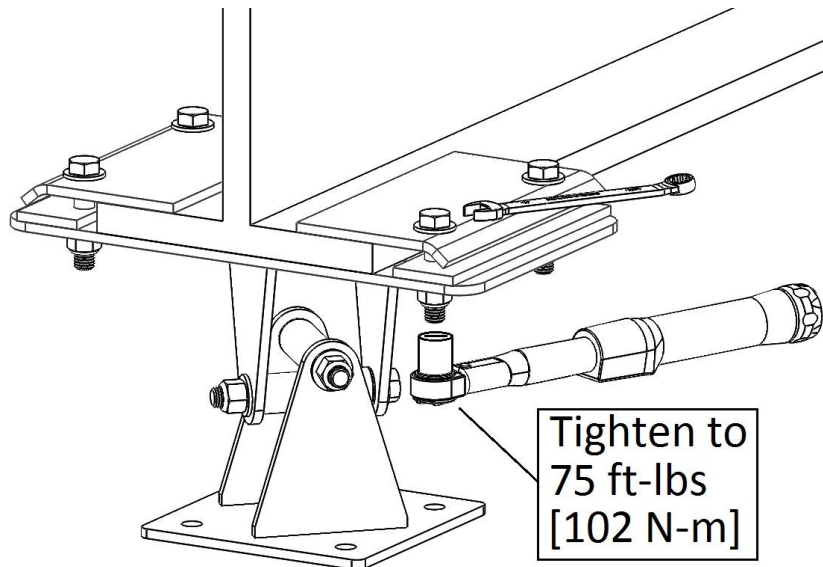
5. Hand tighten nuts to secure Clamp and Shim in place.

⚠ WARNING: Anti-Seize Lubricant. In all instances where stainless steel hardware is used, anti-seize lubricant must be applied to hardware prior to installing and tightening to specified torque.

UMH I-Beam Mounting (cont.)



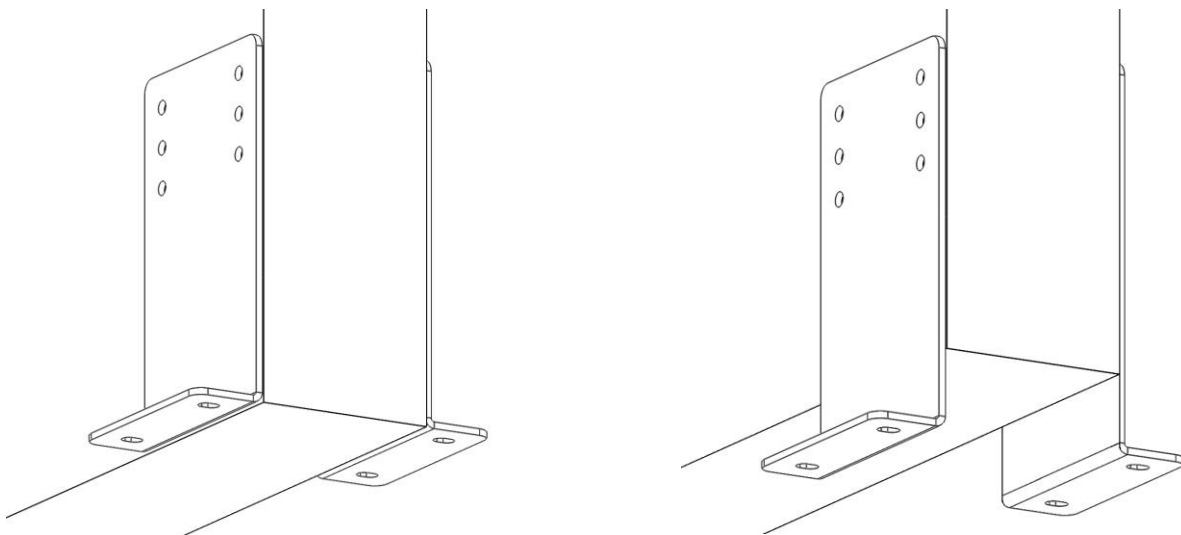
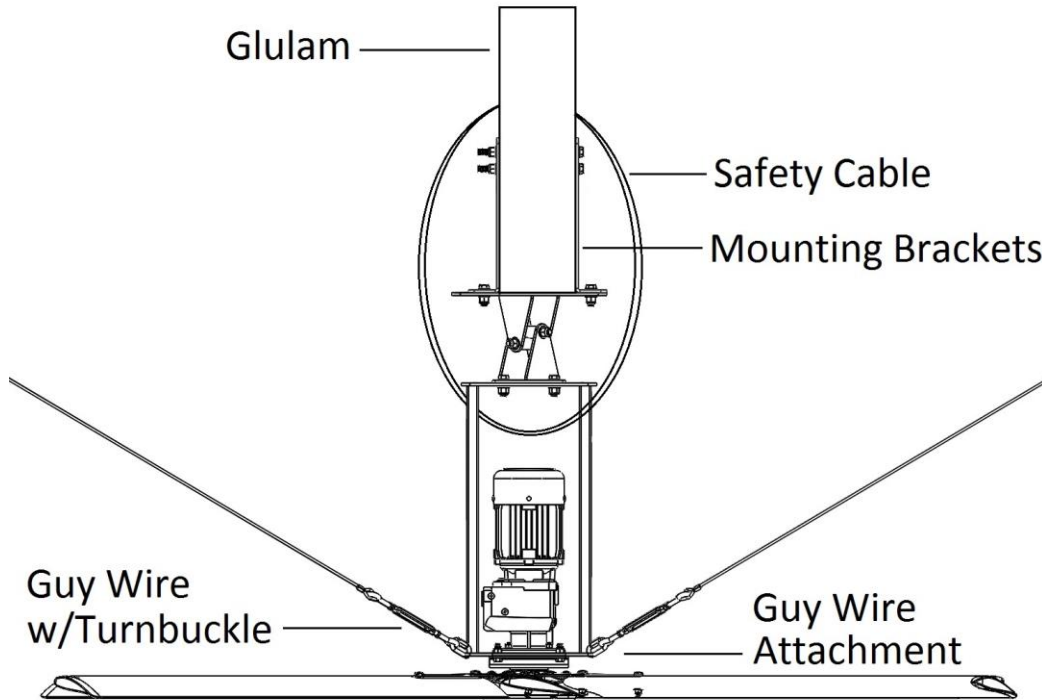
6. Center the UMH on the I-Beam.



7. Using a 3/4" combination wrench and a 3/4" socket and torque wrench tighten all hardware to 75 ft-lbs. [102 N-m].

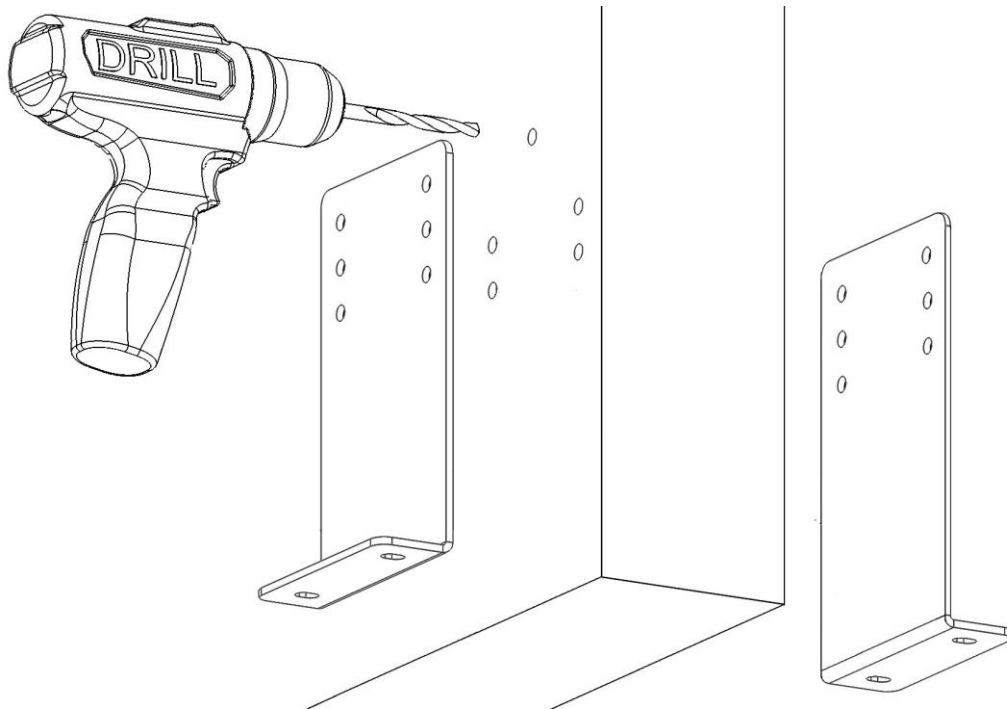
UMH Glulam Mounting

This method is recommended for Glulams or wood beams 5-1/8" or wider. For narrower beams, span across two or more beams using the Unistrut mounting method. (Refer to page 23)

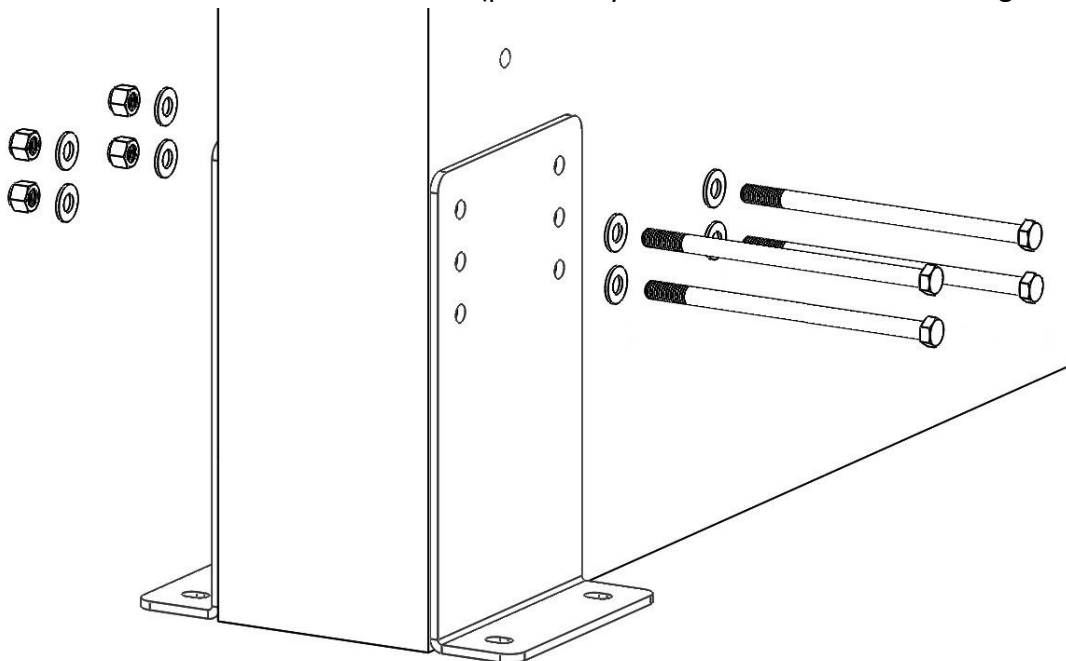


1. The Brackets can be located below the glulam if necessary but is not recommended. Locate brackets even with bottom of glulam.

UMH Glulam Mounting (cont.)

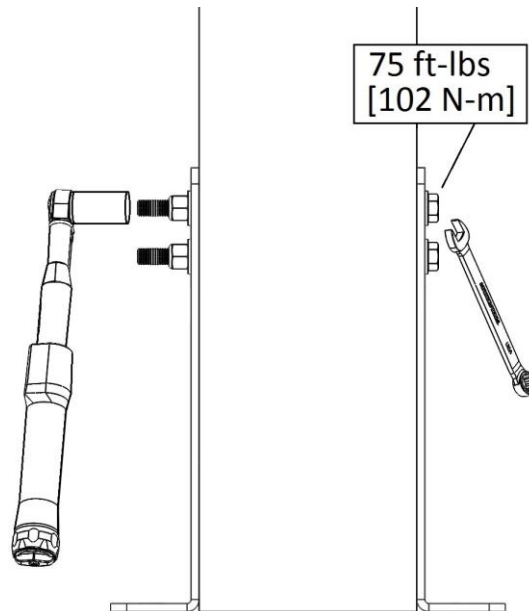


2. Drill maximum 5/8" diameter clearance holes through the glulam for (4) 1/2"-32 mounting bolts and (1) hole for the 3/16" diameter safety cable. The highest bolt hole should not be below the beam's center line unless the glulam is too tall. The hole for the safety cable should be centered above the brackets (preferably above the center line of the glulam).



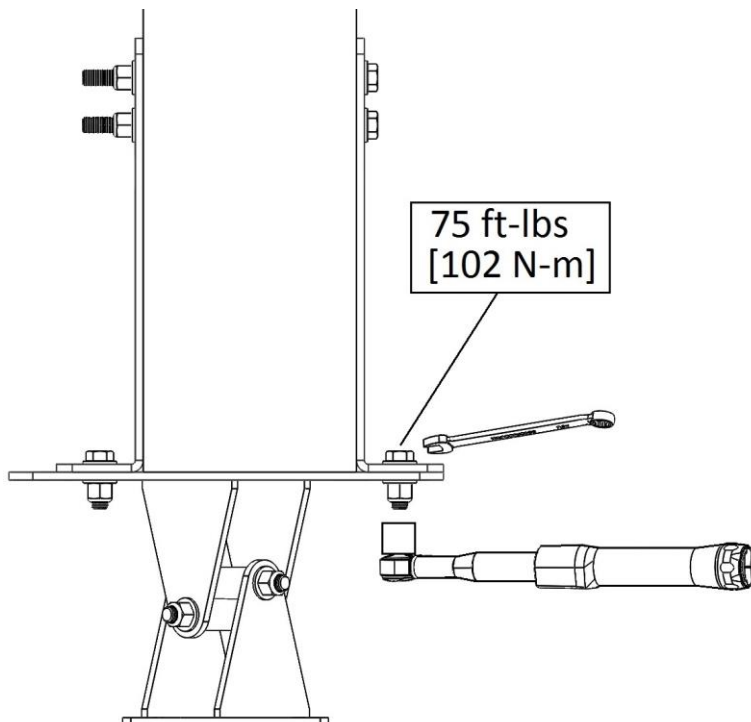
3. Secure the Glulam brackets to the Glulam via (4) 1/2"-13 grade 5 bolts (long enough to go through the entire beam with nylon lock nuts). Stack the Bolt, washer, washer, nut as shown above.

UMH Glulam Mounting (cont.)



4. Using a 3/4" combination wrench and a 3/4" socket and torque wrench tighten all hardware to 75 ft-lbs.[102 N-m].
5. Mount the UMH to the glulam brackets using the Universal Mount Bolt Kit which contains (4) 1/2"-13 x 1.50" Hex Bolts, (8) 1/2" Washers and (4) 1/2"-13 Nylon Lock Nuts. Using a 3/4" combination wrench and a 3/4" socket and torque wrench tighten all hardware to 75 ft-lbs. [102 N-m].

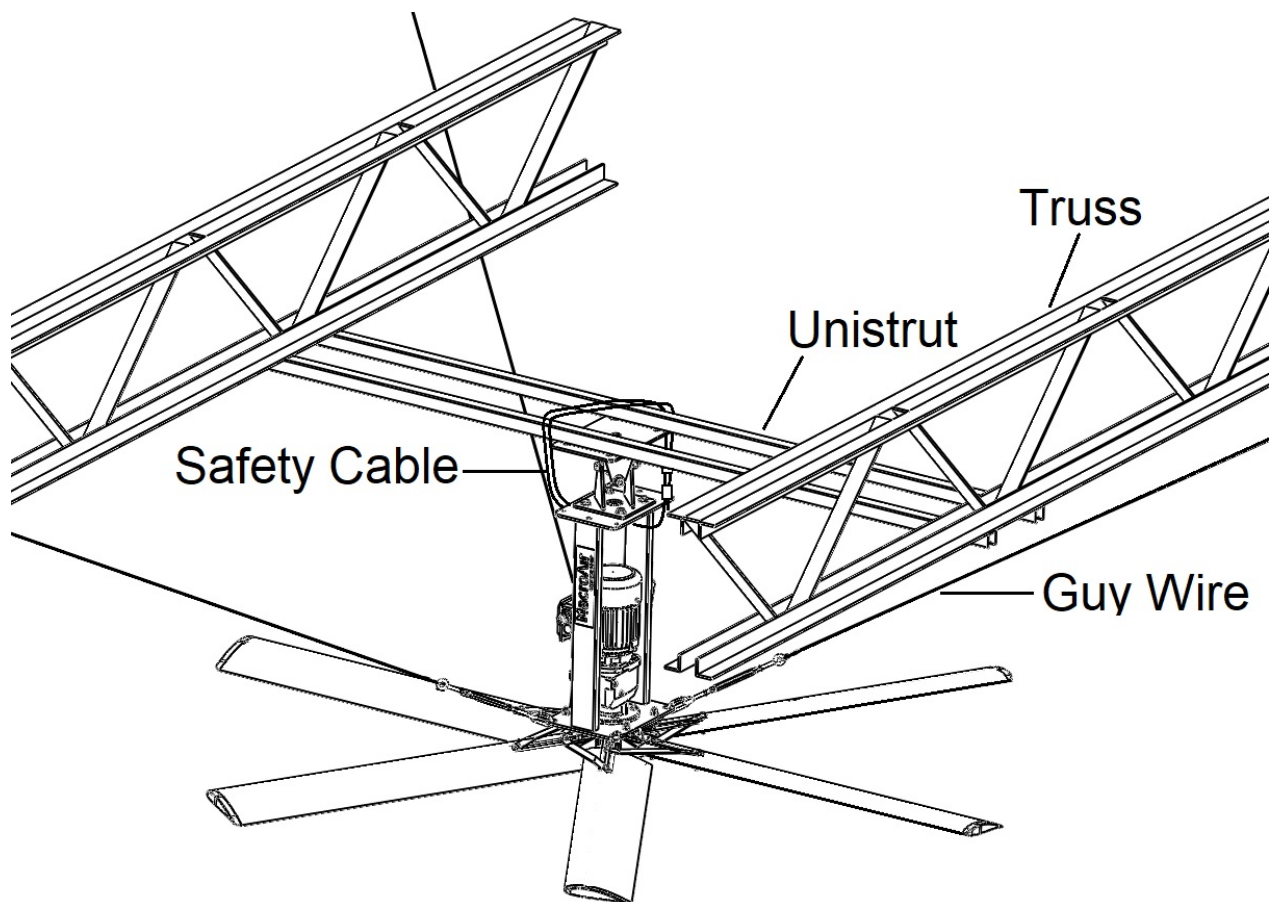
⚠ WARNING: Anti-Seize Lubricant. In all instances where stainless steel hardware is used, anti-seize lubricant must be applied to hardware prior to installing and tightening to specified torque.



UMH Unistrut Mounting

This method is used to span components of a building structure. Attachment points to the building structure can vary greatly, so we recommend contacting Unistrut, so they can recommend the best method for attaching the Unistrut (www.unistrut.us).

1. Two (2) pieces of 1-5/8" x 1-5/8" 12-gauge Unistrut need to span the trusses. Distance apart to be centered over the widest hole pattern in the UMH being used (see step 2). An "Extra Wide" UMH may be desired for this application. Maximum allowable distance between trusses is 8 ft. If the spanning distance is greater than 8 feet, please consult a Structural Engineer. Please refer to page 5 for the maximum torque and weight values.

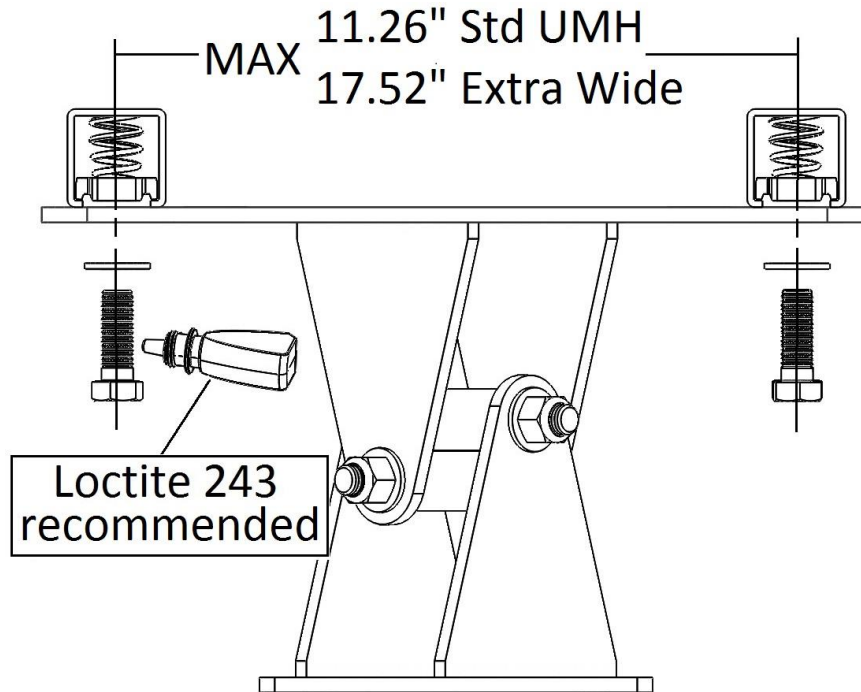


Hardware Required but Not Provided:

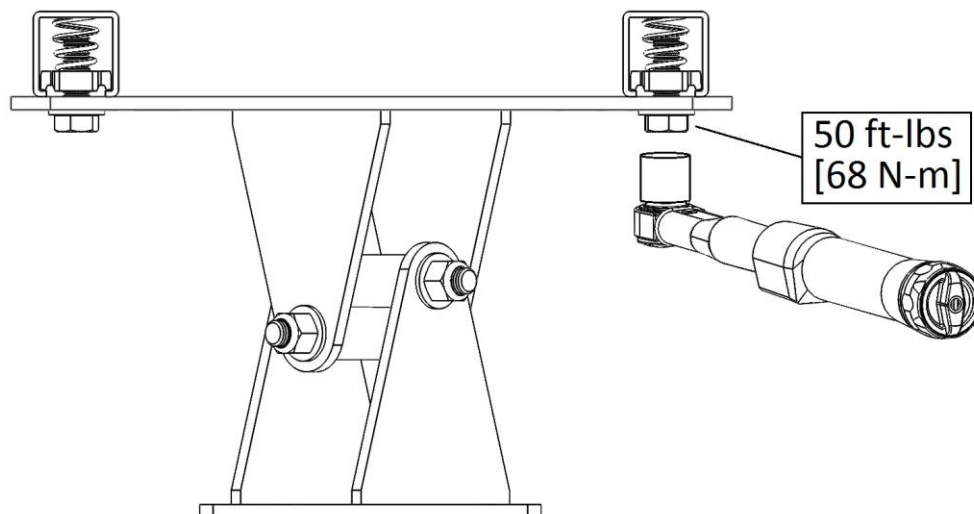
- (4) 1/2"-13 x 1-1/2" Hex Bolts
- (4) 1/2" Flat Washer
- (4) 1/2" Unistrut Spring Nut
- (1) Loctite 243
- (1) Extra Wide UMH (optional)

UMH Unistrut Mounting (cont.)

- Attach the UMH in the most desired position between the trusses using hardware indicated (not provided). Apply Loctite 243 to the 1/2"-13 bolts prior to mounting. Unistrut clamps are not permitted in this mounting method.

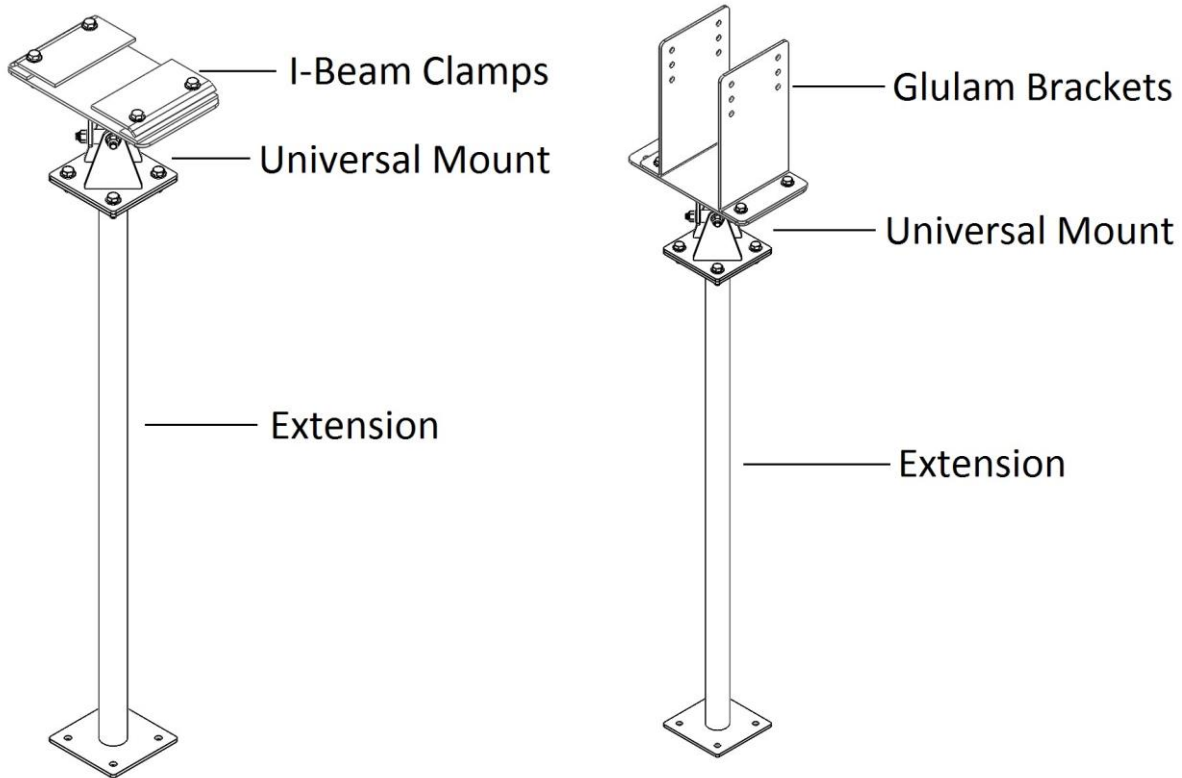


- Using a Torque wrench, tighten hardware to 50 ft-lbs.



NOTE: Mounting to C- and Z-purlins requires Unistrut span mounting. Mounting to trusses under three (3) inches in width requires two or more trusses to be linked with Unistrut. We recommend contacting Unistrut, so they can recommend the best method for attaching the Unistrut (www.unistrut.us).

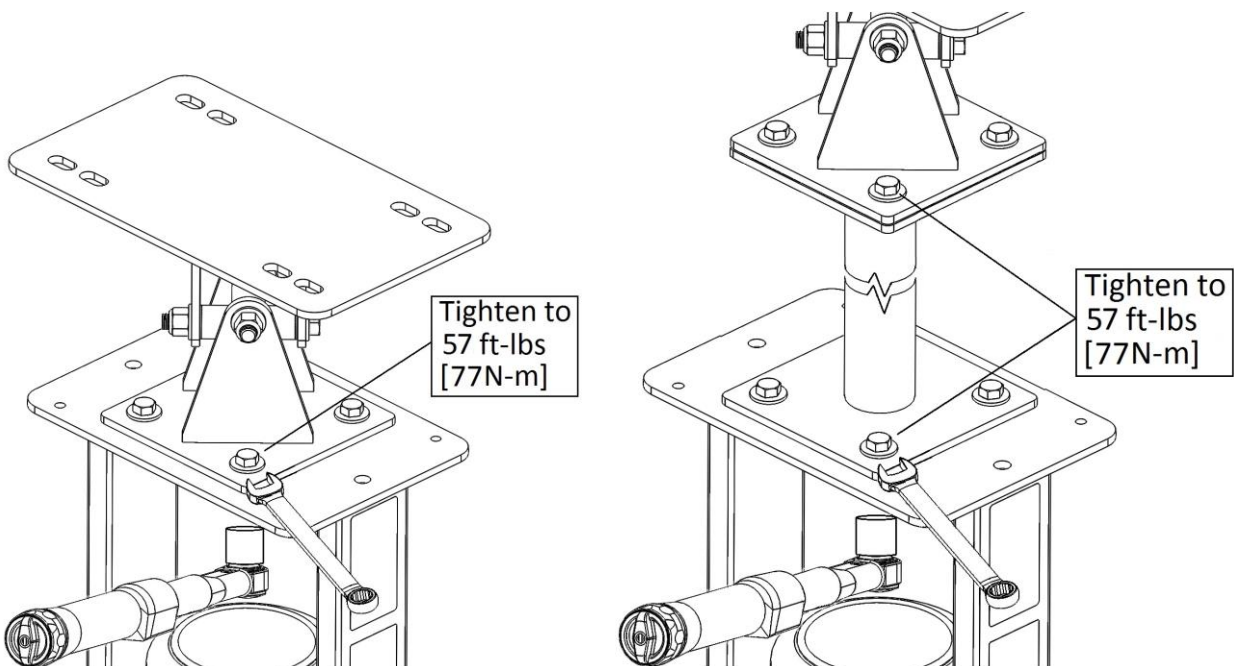
Mounting an Extension



When an extension is used, attach the extension to the bottom of the Universal Mount and attach the top of the fan unit to the bottom of the extension with the provided hardware pack.

Torque spec for Extension or UMH

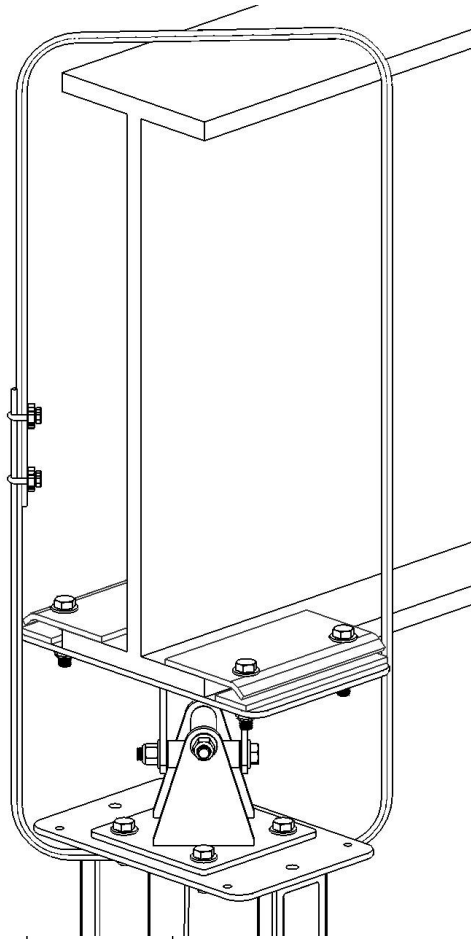
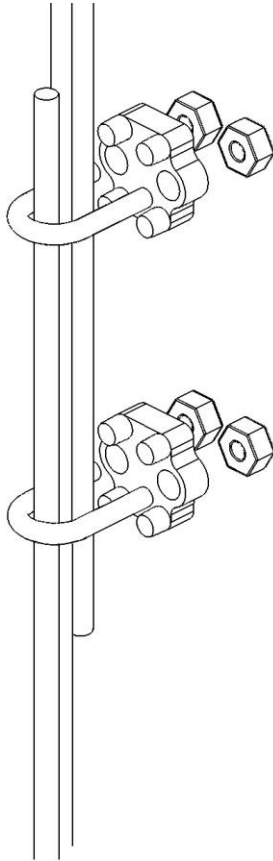
⚠ WARNING: Anti-Seize Lubricant. In all instances where stainless steel hardware is used, anti-seize lubricant must be applied to hardware prior to installing and tightening to specified torque.



Safety Cable Installation

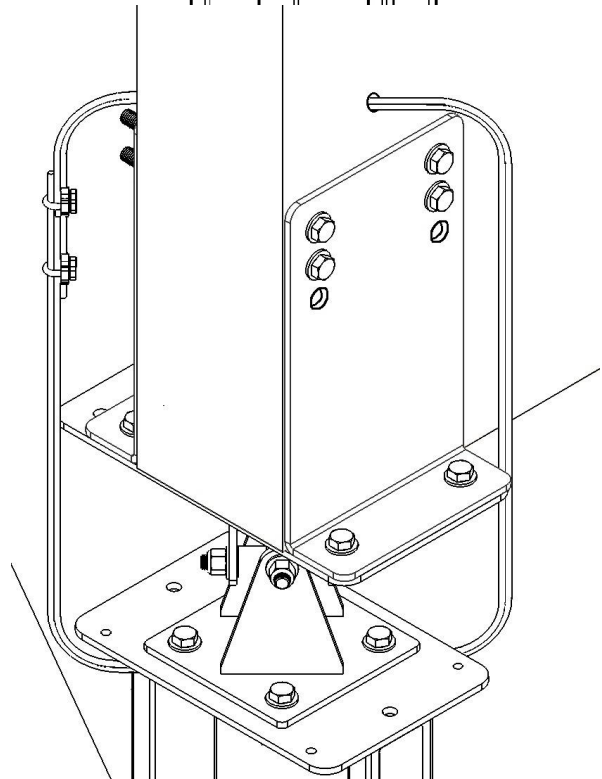
I-Beam

1. Wrap safety cable through fan unit frame and around I-beam .
2. Secure two (2) safety cable clamps around the wire. Pull the cable taut and tighten both nuts using 3/8" combination wrench.

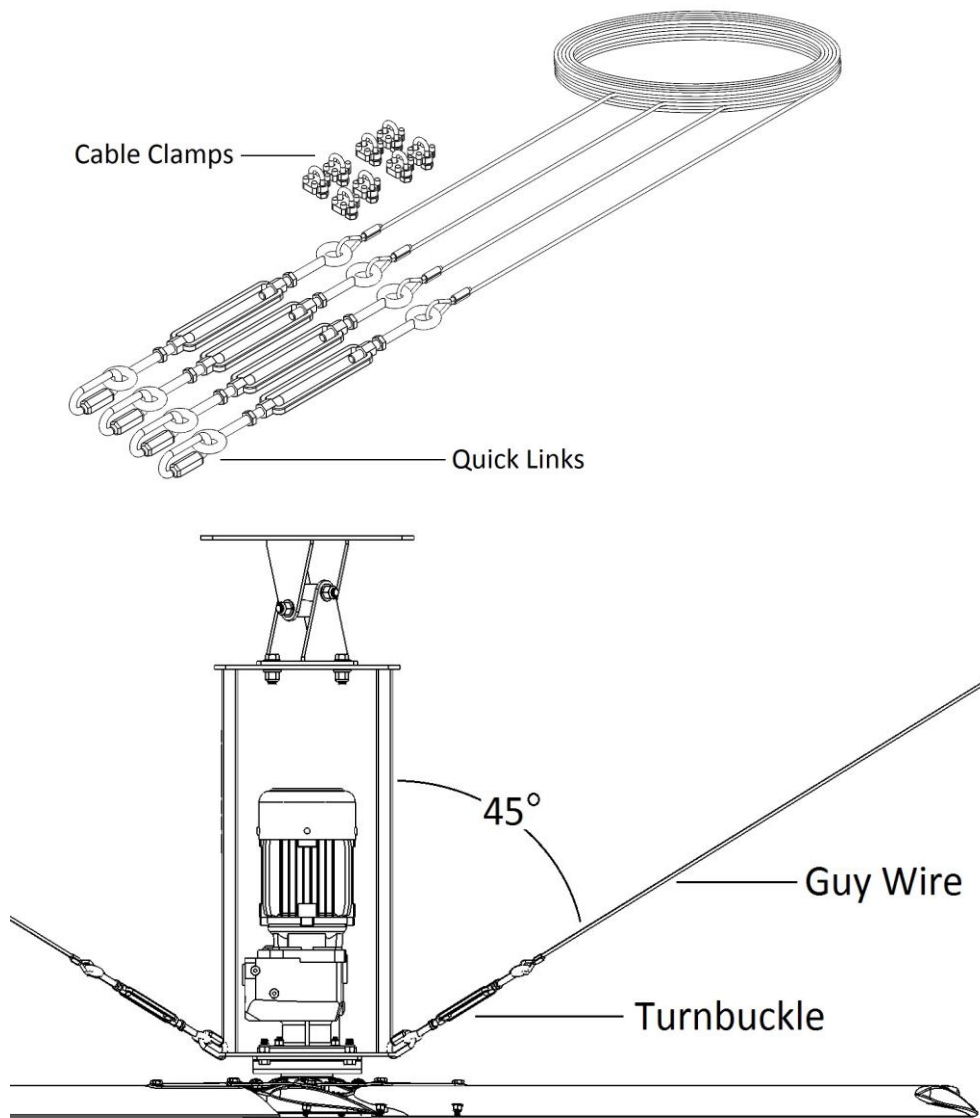


Glulam

1. Wrap safety cable through fan unit frame and through hole drilled in Glulam above brackets.
2. Secure two (2) safety cable clamps around the wire. Pull the cable taut and tighten both nuts using 3/8" combination wrench.



Guy Wire Installation

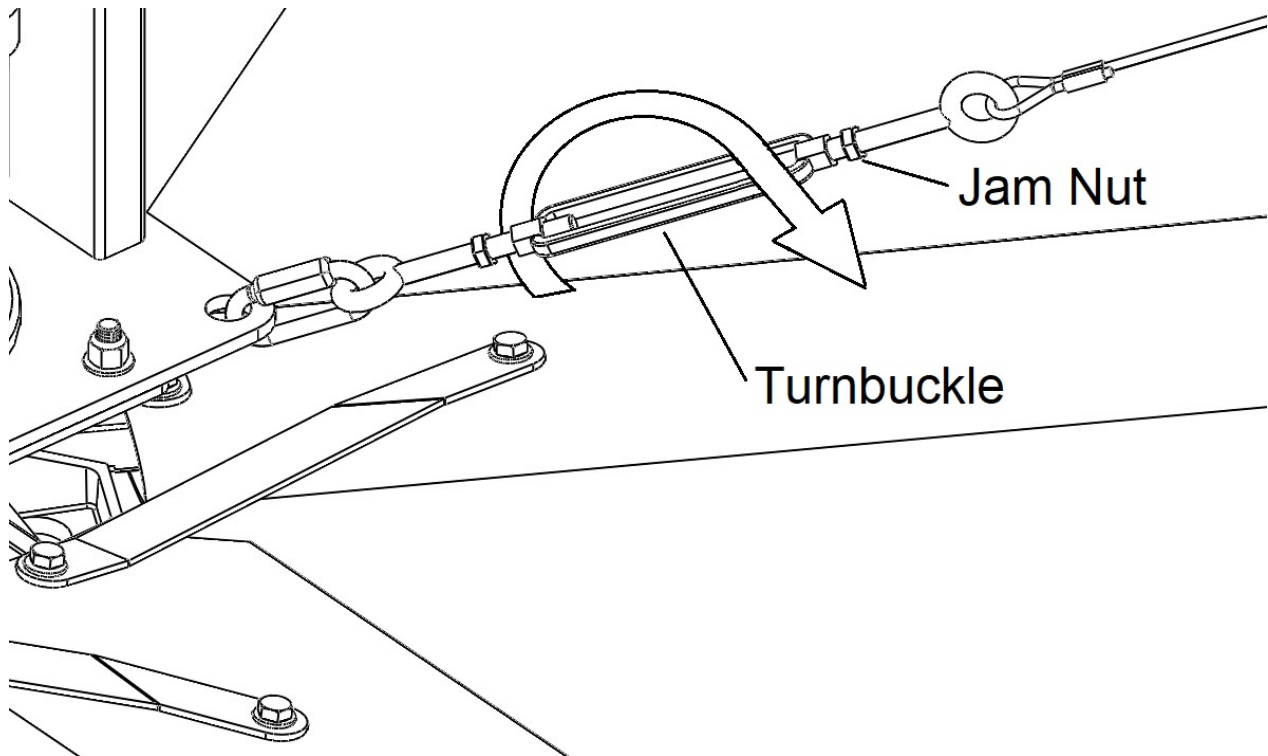


1. Attach the turnbuckle end of the guy wires to the four corners of the base of the frame through the hole provided at each corner.
2. When laying out the locations of the guy wire mounting points, **attempt to maintain a 45-degree angle** between the ceiling and the guy wires.
3. Avoid any sharp edges that may contact the guy wire. Guy wires need to be attached to the building structure via 1/2" eye lags or bolts with the provided cable clamps. Eye Lags or bolts are not supplied by MacroAir.

⚠ WARNING: DO NOT wrap the guy wires around the building structure.

4. Tighten down cable clamp nuts with a 10mm socket wrench.

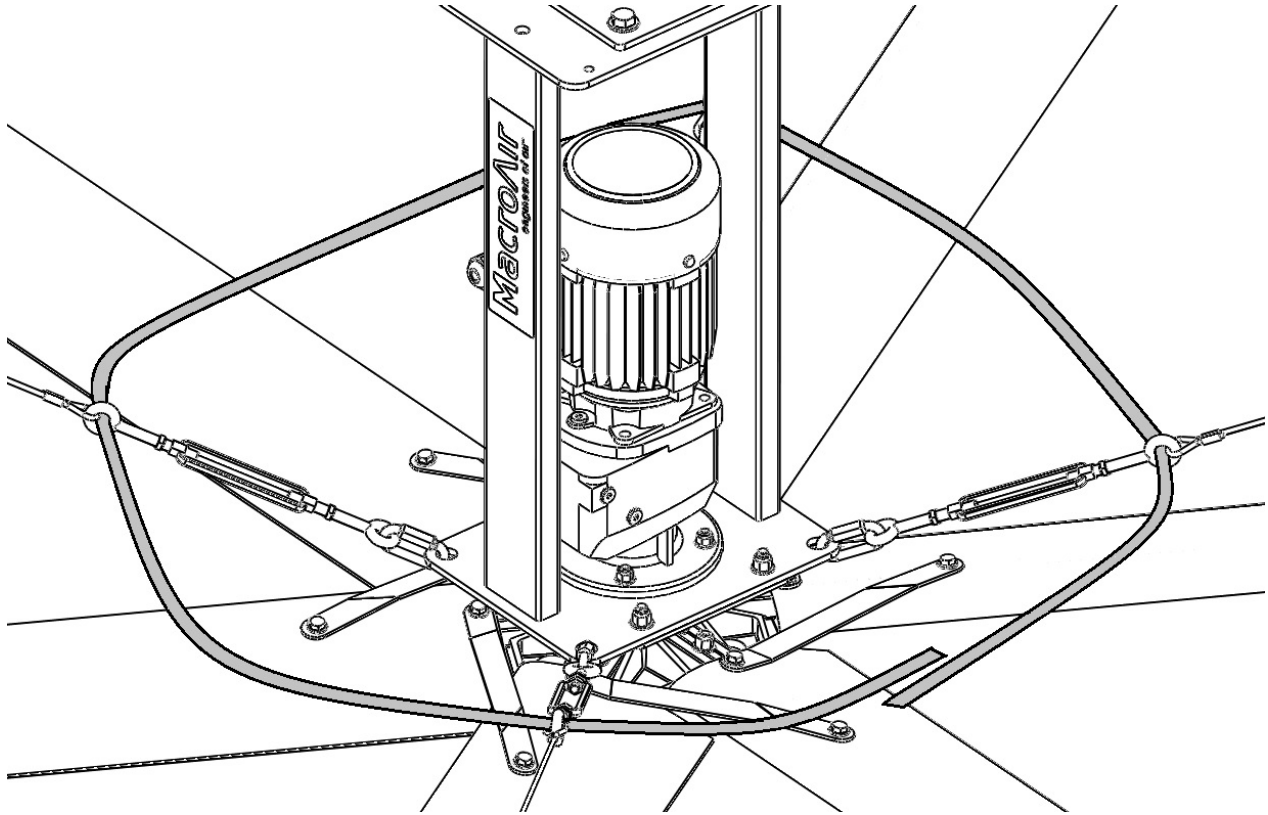
Guy Wire Tightening



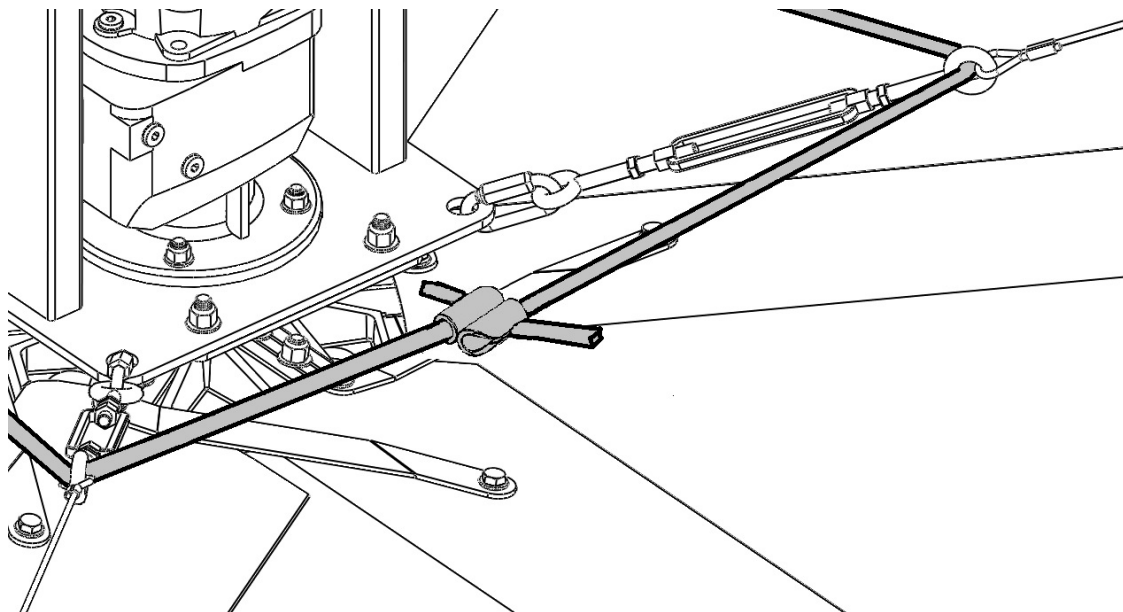
5. With the aid of a level placed against the fan unit, tighten the turnbuckles by hand in a crisscross pattern while periodically checking to ensure that the fan is level.
 6. Tighten the turnbuckles until the fan unit is stable in the level position.
- ⚠ WARNING: Make sure to not overtighten the turnbuckles.**
7. Once all the guy wires are taut (stretched or pulled tight with no slack) and the fan unit is stable and level, tighten the jam nuts on the turnbuckles with a 1/2" combination wrench.
- ⚠ WARNING: Do not use tools to tighten the turnbuckles; only use tools to tighten the jam nuts.**

Guy Wire Band Installation

1. Insert the elastic cord through the top eyelet of each of the 4 turnbuckles.

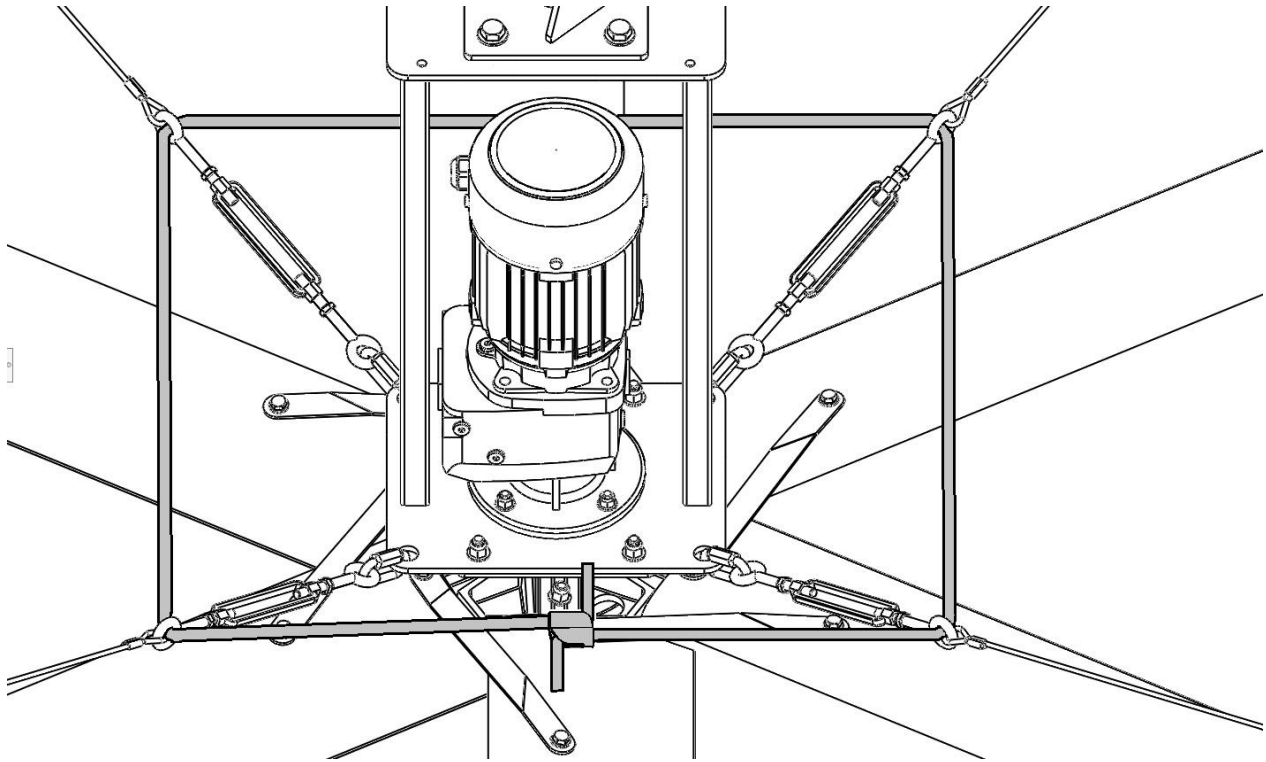


2. Pull one of the ends of the cord through one of the holes on the cable lock and then pull the end into the groove to lock it. Use pliers to properly secure the cord in the groove of the cable lock.
3. Repeat the previous instruction for the second end of the cord using the opposite hole and groove on the cable lock.



Guy Wire Band Installation (cont.)

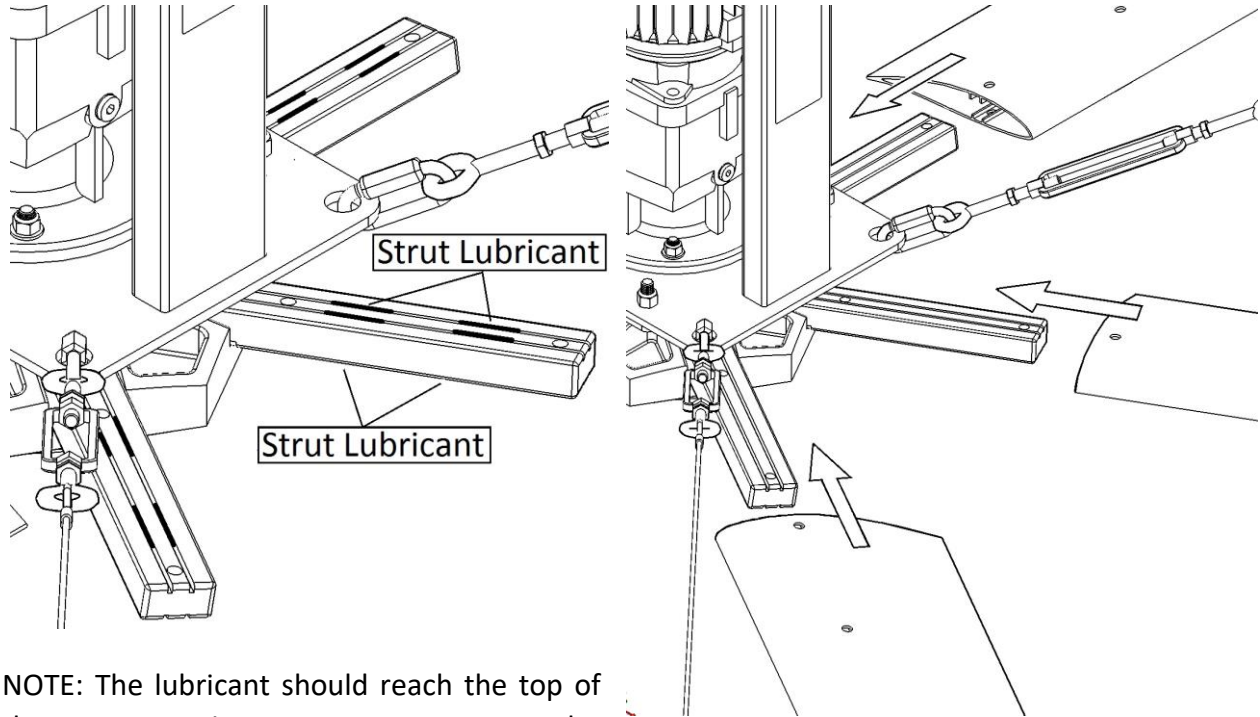
4. The safety cord should be pulled tight and fastened as shown below.



DO NOT EXCESSIVELY STRETCH THE ELASTIC CORD.

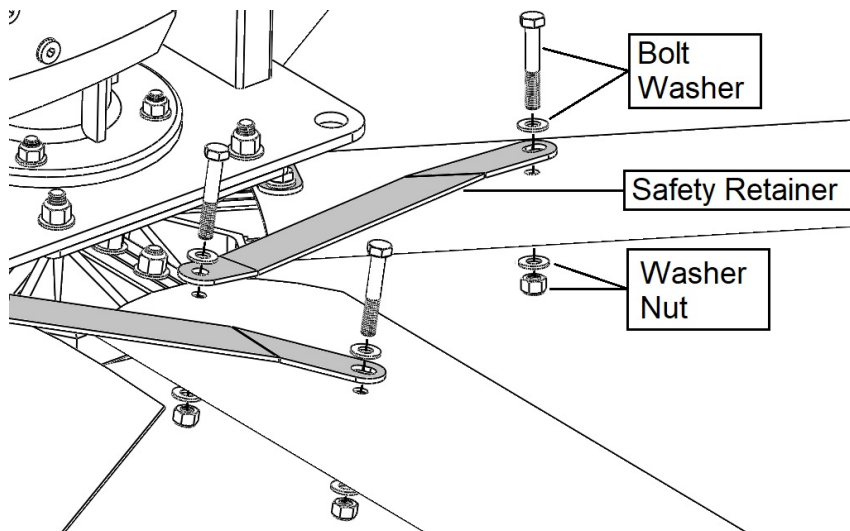
Blade & Safety Link Assembly

1. Apply the provided lubricant in 4 spots on the top and 4 spots on the bottom of each strut as indicated. Each line of lubricant should be in a groove of the strut, approximately 1"-1.5" long and spaced as indicated.



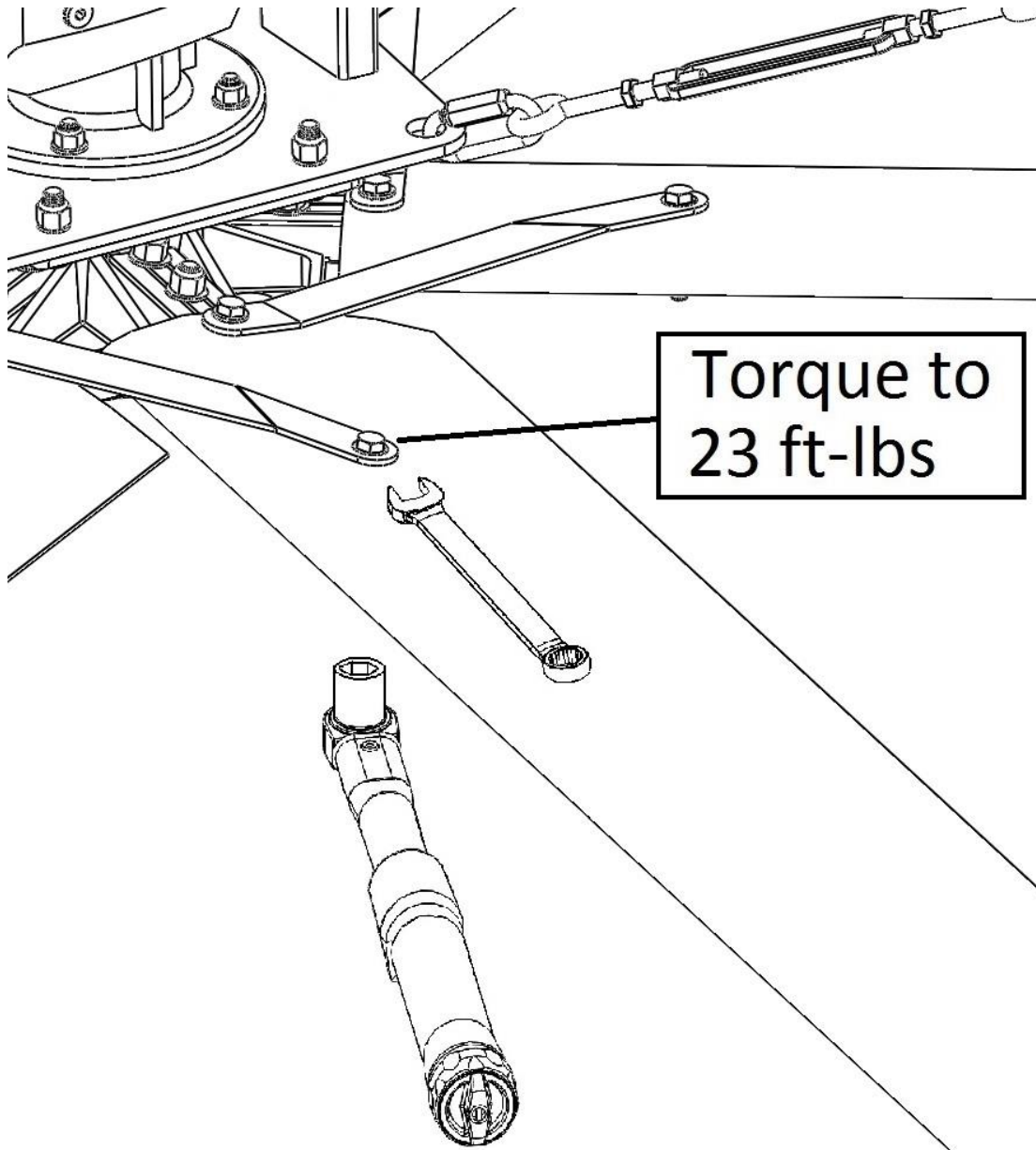
NOTE: The lubricant should reach the top of the groove. It is not necessary to use the entire tube.

2. Slide the blades onto the blade struts and align the mounting holes in the blade with the mounting holes in the blade struts.
3. Once all the blades are in place, install the safety retainer links and blade bolts, washers, and nuts in a clockwise or counterclockwise manner.



Blade & Safety Link Assembly (cont.)

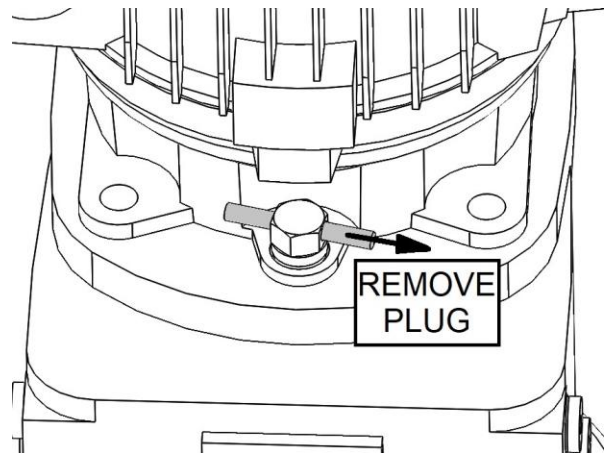
- Using a 1/2" combination wrench and a 1/2" socket and torque wrench tighten all blade hardware to 23 ft-lbs.



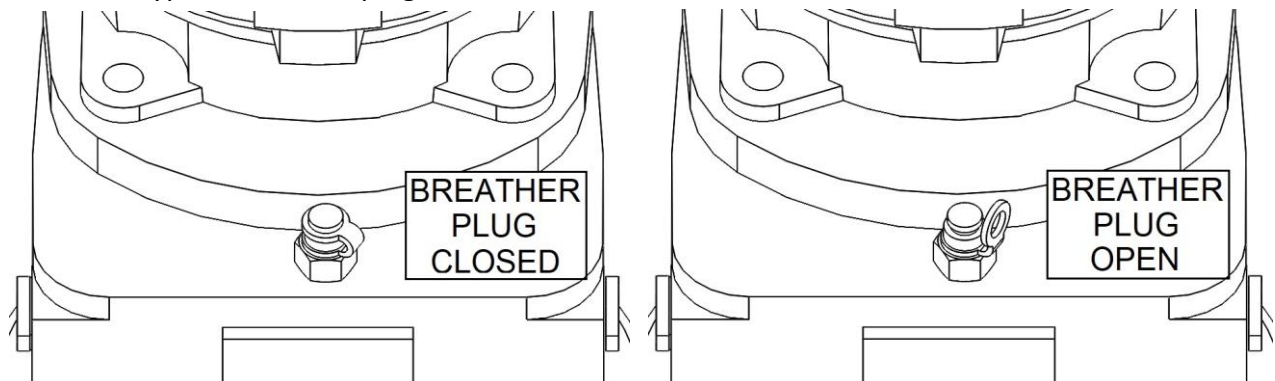
⚠ WARNING: Anti-Seize Lubricant. In all instances where stainless steel hardware is used, anti-seize lubricant must be applied to hardware prior to installing and tightening to specified torque.

Remove the Gearmotor Breather Plug

The breather plug must be removed from the gearbox before attempting to run the fan. There will be a label indicating this near the location of the plug to be removed.



Alternate type of breather plug shown below.

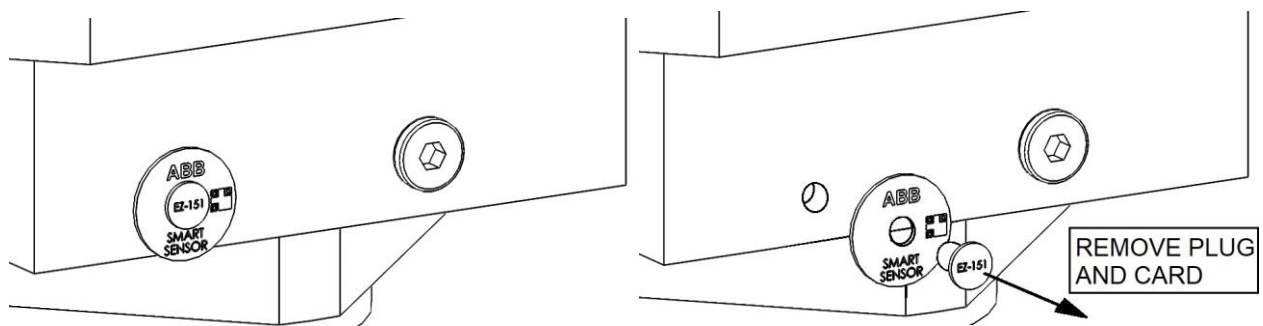


The top ring of the breather plug gasket covers the breather hole (breather plug closed). This gasket can be completely removed and discarded (breather plug open).

Once the breather plug is removed, any tag or sticker instruction illustrating the plug removal may be discarded also.

Remove the Sensor Plug

The sensor plug (if present on this model gearmotor) must be removed from the gearbox before attempting to run the fan.



Electrical & Safety Cable Installation

⚠ WARNING: MOTOR CABLES AND INCOMING POWER MUST NEVER BE RUN IN THE SAME CONDUIT. FAILURE TO INSTALL PER MACROAIR INSTRUCTIONS, INCLUDING WIRING, MAY BE HAZARDOUS, CAUSE PREMATURE FAILURE, AND VOID THE MANUFACTURE'S WARRANTY.

⚠ ATTENTION: Regulatory Notice, EMI (Electromagnetic Interference)

Electromagnetic Interference (EMI) is any signal or emission, radiated in free space or conducted along power or signal leads, that endangers the functioning of radio navigation or other safety services or seriously degrades, obstructs, or repeatedly interrupts a licensed radio communications service. Radio communications services include but are limited to AM/FM commercial broadcast, television, cellular services, radar, air-traffic control, pagers, and personal communications services (PCS). These licensed services, along with unintentional radiators such as digital devices, variable frequency drives (VFDs), and other equipment such as fans with VFDs, contribute to the electromagnetic environment.

Electromagnetic compatibility is the ability of items of electronic equipment to function properly together in the electronic environment. MacroAir Fans variable frequency drives, VFDs, are designed to be in compliance with regulatory agency limits for EMI. However, there is no guarantee that interference will not occur in a particular installation. If MacroAir's products (fans) do cause interference with radio communications services, which can be determined by turning the fans off and on, please notify MacroAir technical support.

MacroAir Technologies' products are designed, tested, and classified for their intended electromagnetic environment. These electromagnetic environment classifications generally refer to the following harmonized definitions:

Class A is typically for business or industrial environment.

Class B (MacroAir products are **NOT** designed for typical residential environments covered under this classification).

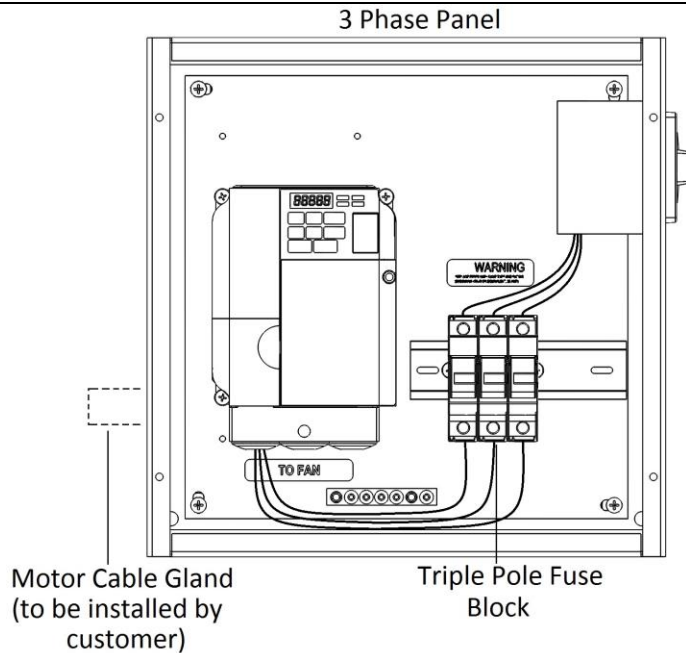
CODE COMPLIANCE IS THE RESPONSIBILITY OF THE INSTALLER, AND ULTIMATELY, THE END USER. All wiring should conform to the National Electric Code (NEC) 2005, ANSI/NFPA 70-1999, and all local codes. This fan control should only be installed by qualified technicians familiar with the requirements of the NEC and local codes.

Note: MacroAir Technologies has a policy of continuous product improvement and reserves the right to change design and specifications without notice.

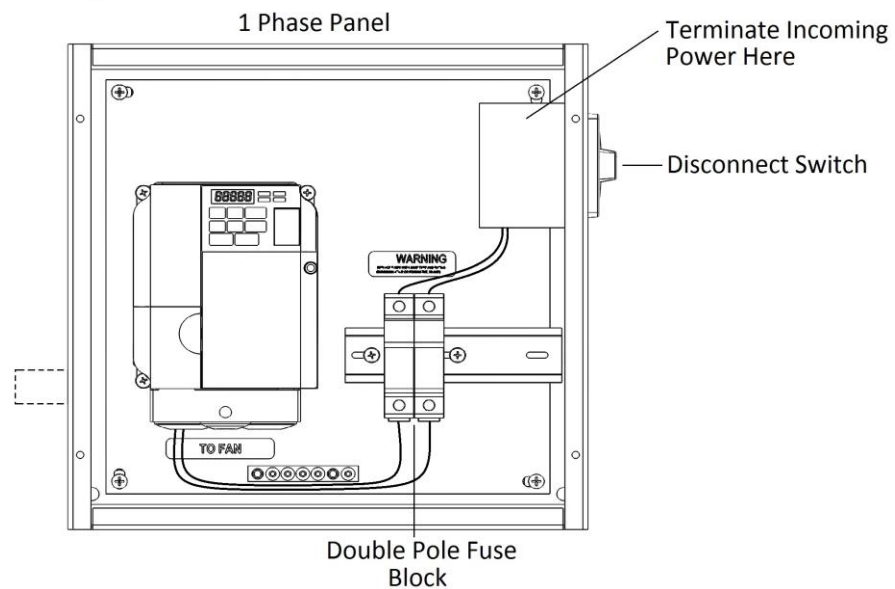
If you have any questions, please contact MacroAir technical support.

Control Panel Overview

3 Phase

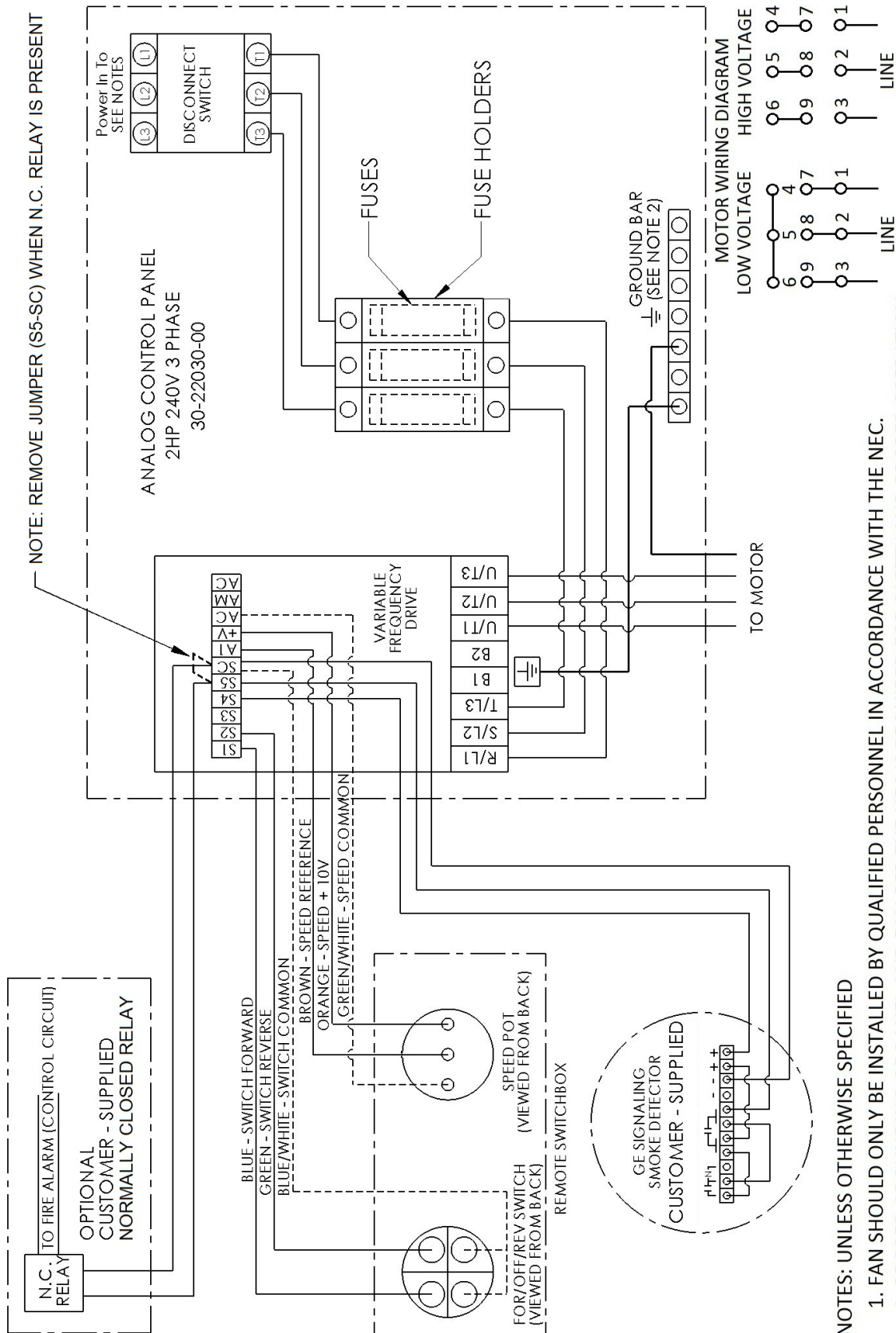


1 Phase



1. Control Panels come pre-wired, as illustrated above.
2. Make sure the control wiring is CAT5e shielded, stranded or greater.
3. The Motor Cable Gland does not come pre-installed. A unibit is required to drill the holes and install them.
4. **25 feet of shielded motor cable is provided and must be used with no additional cable to maintain factory warranty.**
5. Motors are shipped pre-wired for high voltage. For 120V and 208-240V applications, it is the responsibility of the installer to rewire motors for low voltage according to the wiring diagram on the motor.
6. Mounting hardware for mounting enclosure to an I-beam, Glulam or wall is not supplied by MacroAir. Physical enclosure of Control Panel is 12"x12"x8".

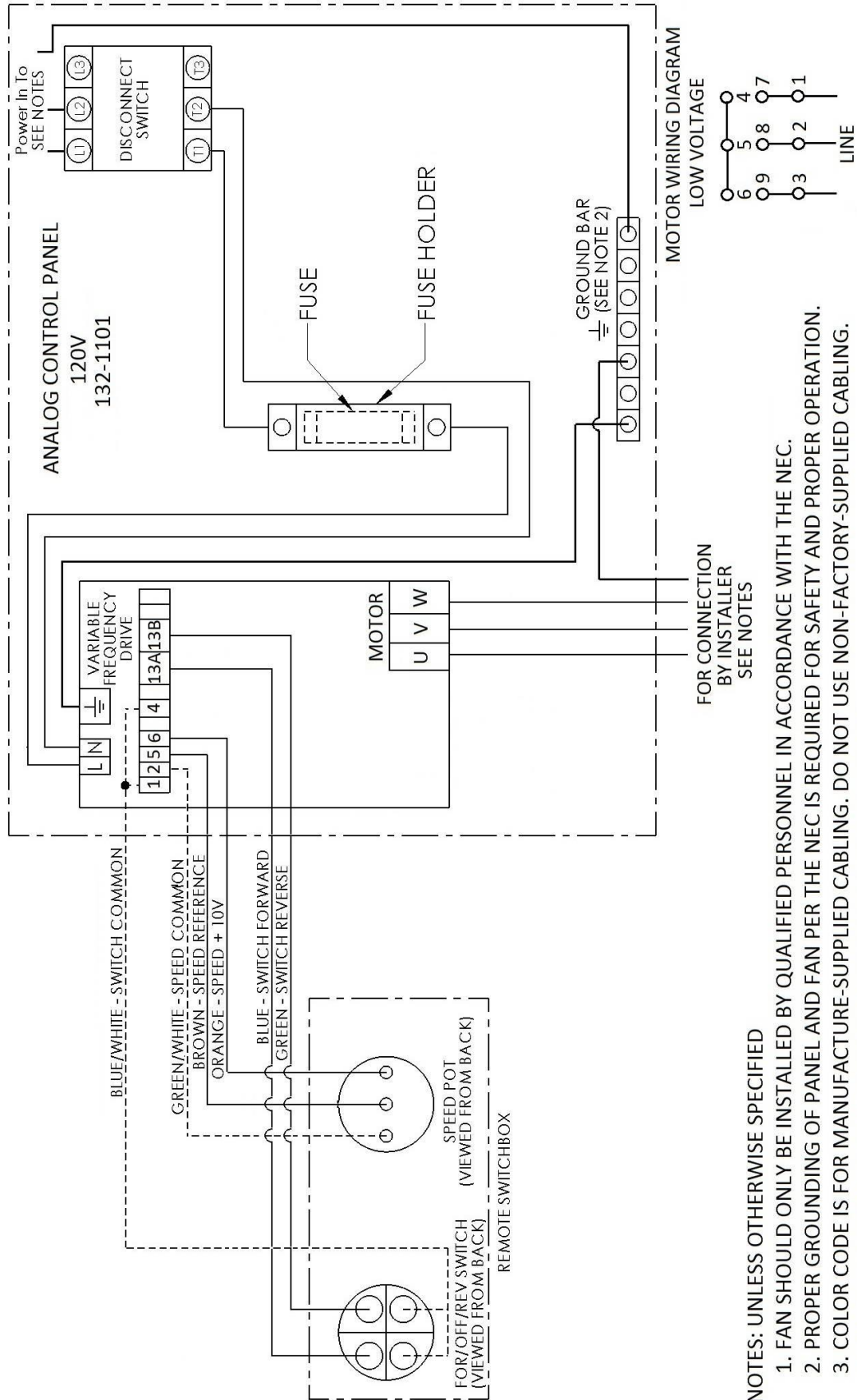
208V-480V Control Panel Schematic



NOTES: UNLESS OTHERWISE SPECIFIED

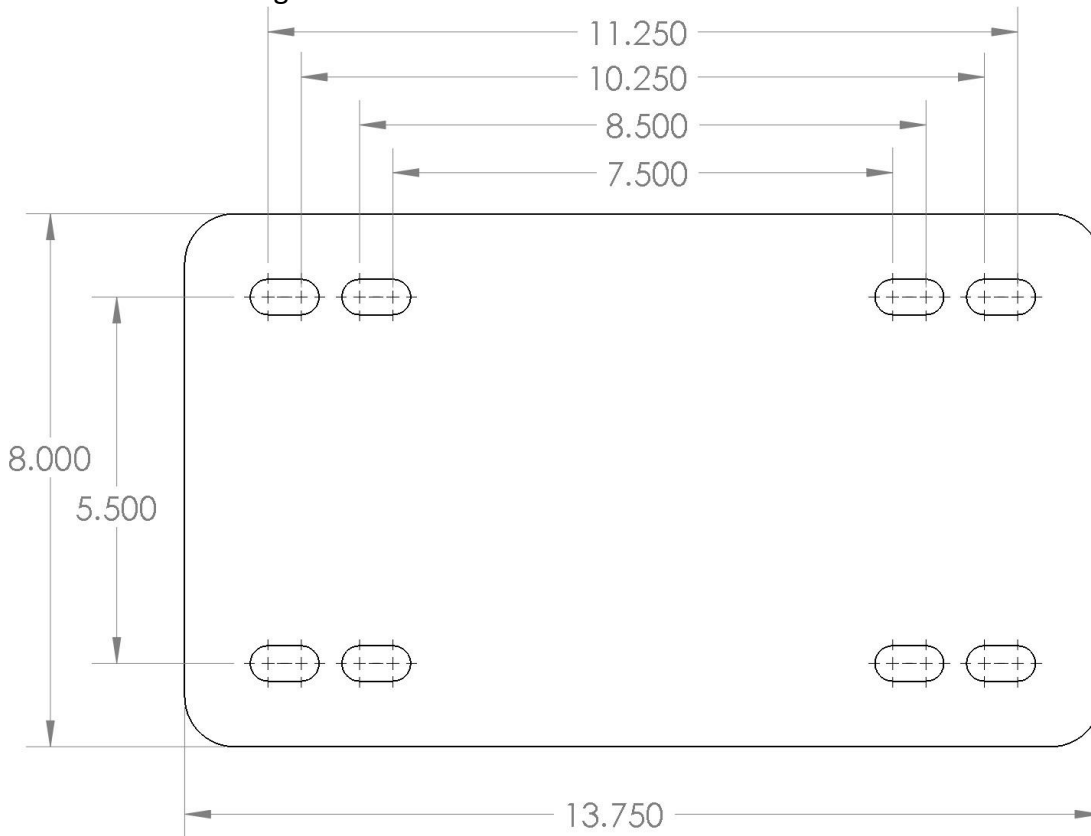
1. FAN SHOULD ONLY BE INSTALLED BY QUALIFIED PERSONNEL IN ACCORDANCE WITH THE NEC.
2. PROPER GROUNDING OF PANEL AND FAN PER THE NEC IS REQUIRED FOR SAFETY AND PROPER OPERATION.
3. COLOR CODE IS FOR MANUFACTURE-SUPPLIED CABLING. DO NOT USE NON-FACTORY-SUPPLIED CABLING.
4. LENGTH OF CABLE FROM DRIVE TO MOTOR TO BE 25 FEET OR LESS.

120V Control Panel Schematic

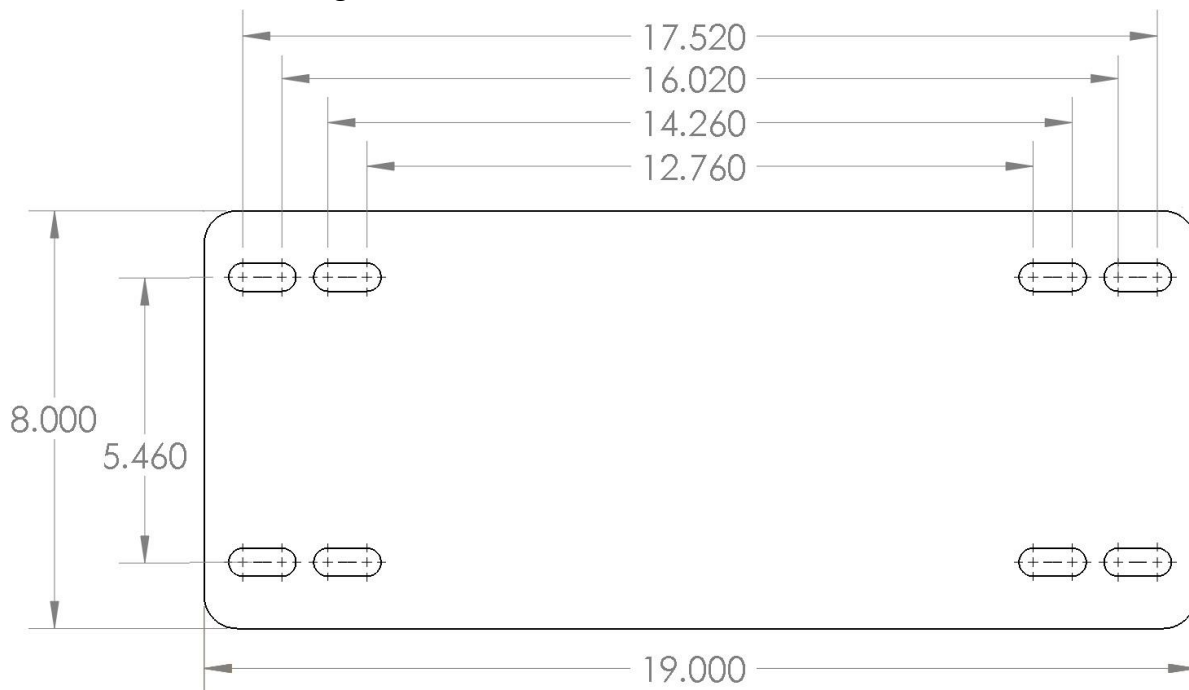


UMH Mounting

Standard UMH Mounting Pattern



Extra Wide UMH Mounting Pattern



Maintenance

Guy Wire Check (if applicable): Checking a MacroAir fan's guy wires for tension and inspecting for frayed sections could mitigate a problem before it occurs. The guy wires should be under enough tension to prevent any movement in the motor unit or the extension tube. If the motor unit can be moved by pushing on it, the guy wires need to be tightened. Fan owners should confirm that the guy wires are not wrapped around any sharp edges. MacroAir recommends attaching guy wires to the building with eyebolts or eye lags. If they are not already installed with eye bolts or lags, we urge fan owners to install these to help keep the guy wires from fraying. If guy wires are installed with turnbuckles, jam nuts should periodically be checked to ensure tightness. If they are loose, the guy wire cables may need to be re-tensioned.

Airfoil Cleaning: Depending on the type of commercial application the MacroAir fan is in, there can be quite a bit of dust or other particulates that cling to the fan's airfoils. While this may not affect fan performance, we recommend fan owners keep airfoils clean by having a maintenance person or skilled trade professional – who has experience using a lift – wipe the fan airfoils with a rag or sponge using hot water or mild cleaning solutions. Please do not use chlorine or any chemicals containing chlorine.

Safety Cable Check: Each MacroAir fan comes with a safety cable. Depending on the fan model, the safety cable either wraps around the building structure and the fan frame or comes out of the top of the fan and wraps around the building structure. The safety cable is an important part of the safety system and acts as a last resort should an earthquake, collision, or similar catastrophic event occur. As such, it's vital for fan owners to ensure that the safety cable is intact and properly secured.

Reverse Operation: The beauty of MacroAir HVLS fans is that they are built to run in forward and reverse mode. However, changing the direction of your fan can put initial stress on the fan if it has not been properly checked. It is a good idea to make sure guy wires, safety cables and all bolts and nuts are tight. Cleaning the fan before switching directions will prevent dust and other particles from falling off the fan airfoils when turning in the opposite direction.

Maintenance Plan: Things to look for include properly torqued fasteners, rust, cracked welds, unusual noise, hub migration/movement, guy wire loosening or movement.

Years 1-10: One inspection on lift per year.

Year 11 and beyond: Annual inspections from a lift and seasonal inspections both before and after the busy season from the ground.

NOTE: If there are issues or concern discovered during an inspection, please contact the service and technical support department at MacroAir for help.

CONTACT US: For installation assistance, application questions, technical sales support & any other inquiries, please contact us at **(866) 668-3247**.

Troubleshooting

Please refer to the table below if you experience issues with the fan operation.

Symptoms	Possible Solution
The fan is not turning and the lights on the VFD are lit.	Flip disconnect switch to "OFF" for 30 seconds and then flip to "ON". Ensure that the VFD is properly connected to the motor.
The fan is not turning and the lights on the VFD are NOT lit.	Confirm that there is power coming from the building.
The fan is making a loud "clicking" noise.	Ensure that the anti-seize was properly applied to every blade strut.
The fan is operating noisily.	Confirm that there is nothing interfering with any moving parts.
The fan is wobbling.	Confirm that the fan is level and the guy wires are properly installed and tightened.

If your issue cannot be resolved using the table above, please contact MacroAir technical support at **(866) 668-3247**.

Warranty

MacroAir warrants the Products listed in the table below will be free from defects in materials and workmanship under normal use and maintenance for the applicable Warranty Period. Other than the Warranty set forth in this document, no other written or oral warranties apply, and no employee, agent, dealer, or other person is authorized to give any other warranties on behalf of MacroAir.

START DATE OF WARRANTY COVERAGE

The Warranty Period begins fifteen (15) days following shipment of the Product, or on the date the Product is installed (not to exceed sixty (60) days Customer receives the Product), whichever date is later. Customer should retain necessary documentation to verify the date of receipt and installation of the Product. Customer will be required to produce this documentation in order to obtain Warranty services from MacroAir. The Warranty specified herein applies only to Products shipped on or after April 15, 2021.

PRODUCTS AND SYSTEMS COVERED BY THIS WARRANTY AND APPLICABLE WARRANTY PERIODS:

Fan Type	Mechanical: Blades, Hub & Frame	Standard Electrical ¹ : Motor, Electrical Controls, Remote	Labor
AVDX	15 Years	10 years *	1 Year
AirVolution	15 Years	7 years *	1 Year
AirLegacy	15 Years	5 Years *	1 Year
AirVolution-D3	10 years	7 years *	1 Year
AirVolution-D 370	10 years	5 Years *	1 Year

WARRANTY COVERAGE:

Subject to the exclusions herein, the MacroAir Warranty covers any defects in workmanship or materials of the covered Products under normal operation and prescribed maintenance when those defects adversely affect the ability of the Product to operate properly.² The Warranty only covers Products which have been installed in compliance with MacroAir's written installation instructions by a state-qualified or licensed electrical contractor and operated and maintained by the Customer in conformity with MacroAir's written instructions, and when the Product is purchased directly from MacroAir or a MacroAir Authorized Dealer.

This Warranty is subject to all provisions, conditions, limitations, and exclusions explained in this Warranty document.

*Scan QR code or visit macroairfans.com/warranty for full warranty information.



¹ "Standard Electrical" means any common electrical component that is utilized across more than one fan line will assume the higher warranty period.

² "Operate properly" applies only to mechanical, electrical, and structural systems of the Product.



Let's Stay Connected!



Social



Website

www.macroairfans.com

MacroAir
engineers of air™

794 South Allen Street
San Bernardino, CA 92408
(866) 668-3247
Macroairfans.com



MacroAir AirLegacy
is UL Listed