

Burglar Bar

Safety/Security Guard



KEY FEATURES

Designed for new and retrofit applications, for both metal and wood curbs.
Tested and complies with Fall Protection guidelines for the California Code of Regulation.

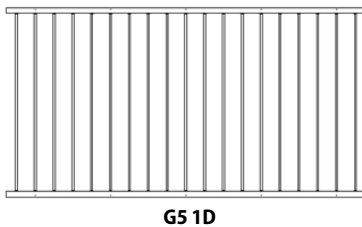
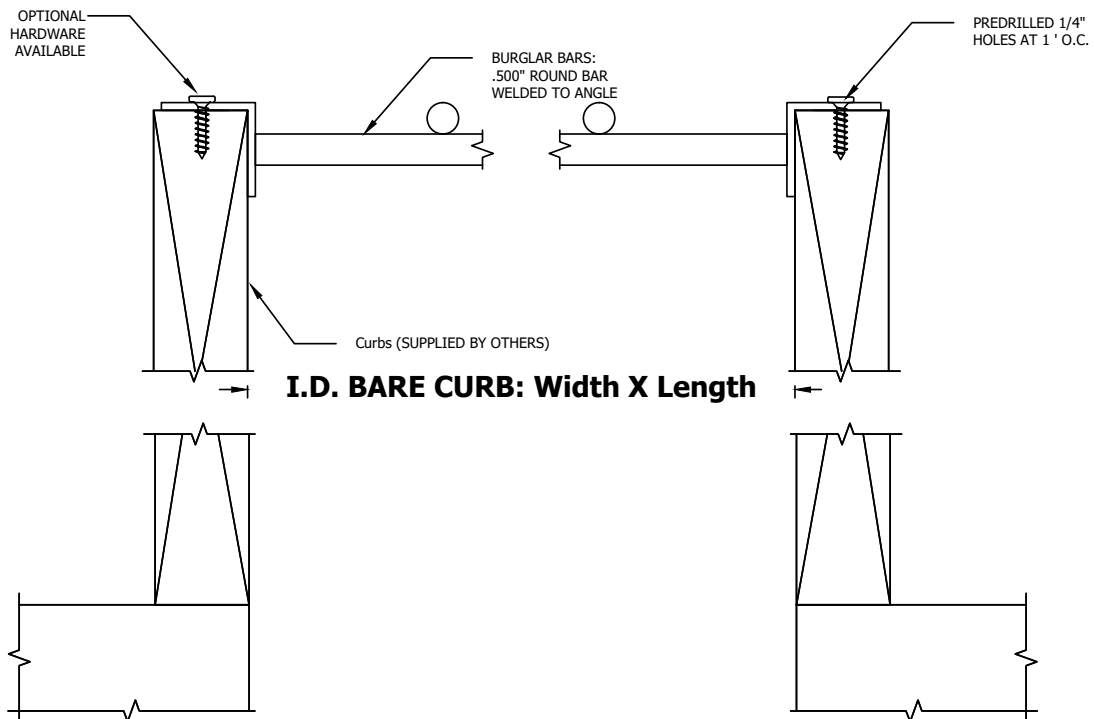
Warranty: 5-year limited warranty. Complete warranty terms located at: www.sunoptics.com

Note:

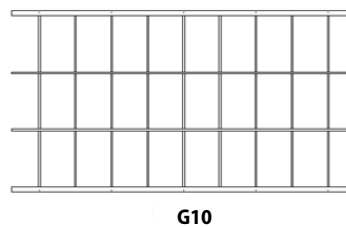
Actual performance may differ as a result of end-user environment and application. Specifications subject to change without notice.

PRODUCT PROFILE

Details Not To Scale



5" OC Option



10" x 12" Option

SPECIFICATIONS

Safety / Security Guards shall be manufactured by Sunoptics, Inc., Tallassee, AL | (800) 289-4700.

Burglar Bars shall be fabricated from 1/2" diameter steel rod, welded to a curb mounting angle frame. Mounting hardware not included but can be ordered separately.

OTHER GUARD STYLES (see www.sunoptics.com).

- Clip on Guards - designed for new and retrofit applications and for both metal and wood curbs to fit under the skylight.
- "Z" Frame Guards - designed for new and retrofit applications and for larger metal or wood curbs to fit under the skylight.
- ESFP (External Skylight Fall Protection) - The ESFP is an alternative to our standard curb integrated fall protection guard. The exterior mounting location will eliminate the direct view of the fall protection guard from the vantage point below the skylight.

ORDERING LOGIC

Fixture	ID Bare Curb Callout	ID Bare Curb Width	ID Bare Curb Length	Guard Type
BURGB Burglar Bar	4040 47" x 47"	W47 Width 47"	L47 Length 47"	G10 10" x 12" Pattern
	4060 47"x71"	W47 Width 47"	L71 Length 71"	G5 1D 5" OC in One Direction Pattern
	4070 47"x83"	W47 Width 47"	L83 Length 83"	
	4080 48"x96"	W48 Width 48"	L96 Length 96"	
	5060 59-3/8"x71-3/8"	W59.375 Width 59.375"	L71.375 Length 71.375"	