

Signature Series™



**For use in retrofitting both
Skylights and Smoke Vents**

Curb Adapters

Retrofit Solutions For Industrial / Commercial Applications

Sunoptics® Signature Series Curb Adapters are ideal for use in industrial and commercial building retrofit applications where standard size replacement skylights and smoke vents do not match up with the outside dimensions of the existing curbs. Curb adapters eliminate the need to order custom size units.

- **Eliminates Need For Custom Size Units**
- **Can Be Designed For Most Outside Curb Dimensions**
- **1-1/2" THICK 3lb Density Fiberglass Insulation**
- **Integrated Safety Security Guard Option Available.**



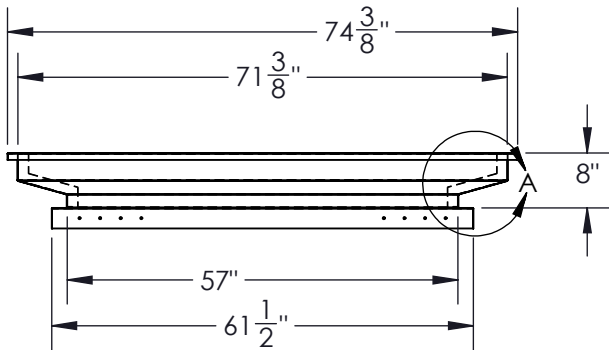
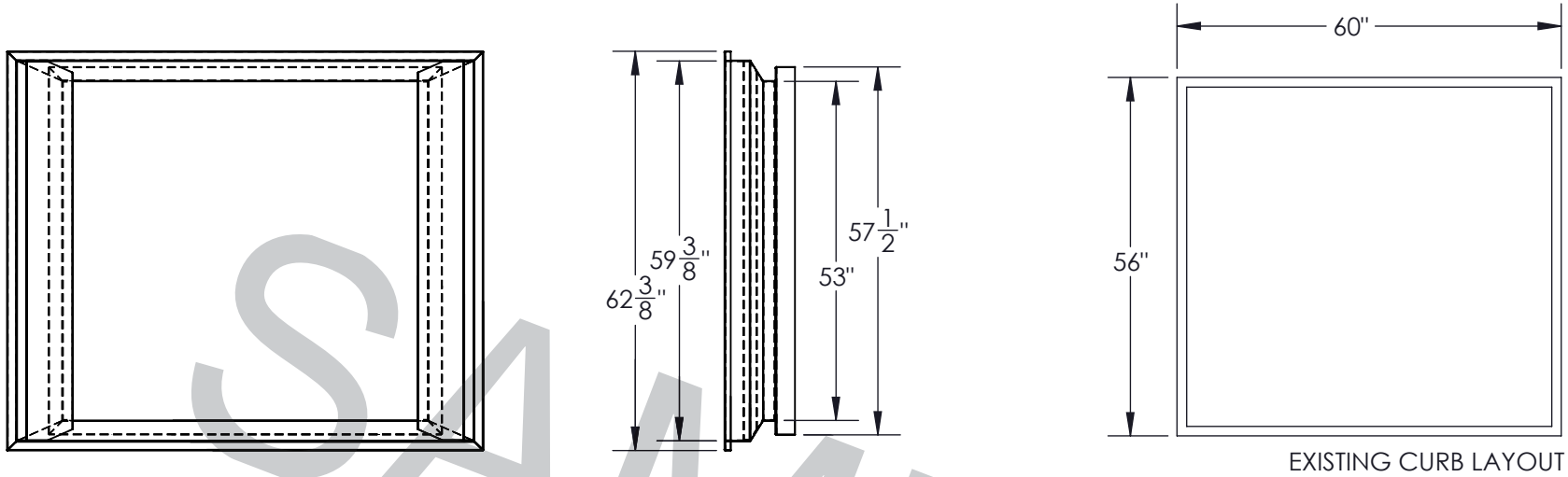
P.O. Box 780249, Tallahassee, AL 36078
Toll Free (800) 289-4700

WWW.SUNOPTICS.COM

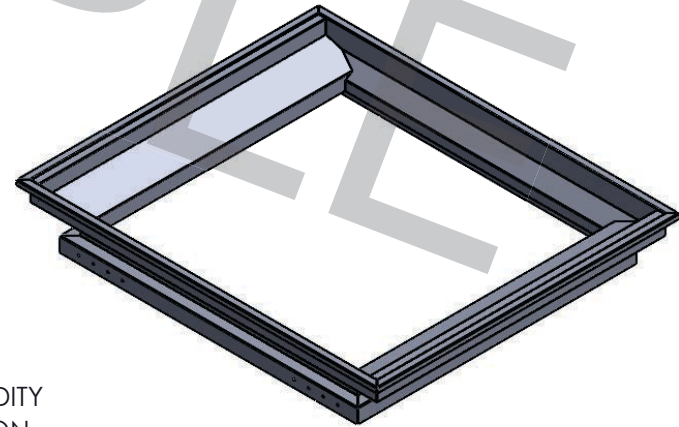
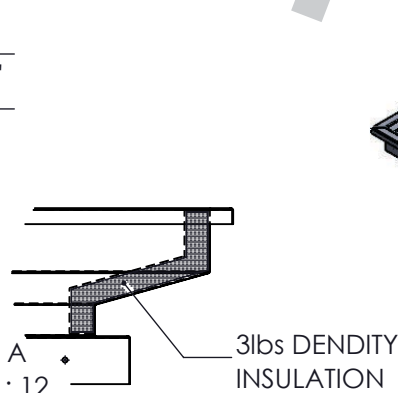


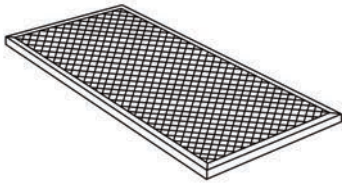
**The Originator and Inventor of
the Modern Prismatic Skylight**

45th
Anniversary
1978 - 2023



DETAIL A
SCALE 1 : 12





Curb Top Insert

Curb Mounted Lens Insert



Frame Model 800MD

Curb Top Insert CT1

KEY FEATURES

Use with Double Glazed Signature, Pyramid or Double Hip Series Skylight for Better U-Value and Solar Heat Gain Coefficient/Shading Coefficient (SHGC/SC) Properties

AVAILABLE CERTIFICATIONS

FM Approval #4431
High Velocity Hurricane Zone Approved
Class 4 Hail Ratings
Available (Class 1 Default)

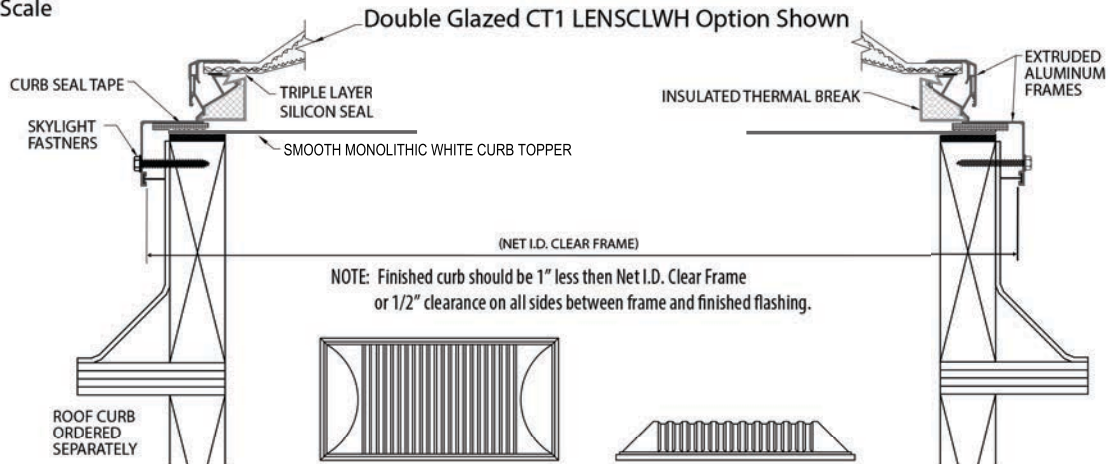
Warranty: 10 year and 15 year limited warranty available. Complete warranty terms located at: www.sunoptics.com

Note: Actual performance may differ as a result of end-user environment and application.

Specifications subject to change without notice.

PRODUCT PROFILE

Details Not To Scale



SPECIFICATIONS

Skylights shall be Sunoptics model 800MD (curb mounted) as manufactured by Sunoptics, Inc., P.O. Box 780249, Tallassee, AL 36078 | (800) 289-4700

Skylights shall be glazed ready for installation.

Skylight frames shall be fabricated from extruded aluminum, finish to be natural mill. Frames shall have integral condensation and weepage gutters which drain interior moisture to the outside. Corners shall be mitered and welded. The glazing shall be separated from the skylight frame with a Silicon Seal.

Skylights shall be Double glazed using ClearArmour™ CC1 rated lenses glazed in a Signature Series dome configuration.

CT1 - A single layer of monolithic Acrylic shall be supplied to be installed on top of the Curb. The Curb Topper Lens has a size limitation of 32 square feet.

Standard Size Skylights are tested and certified to AAMA/WDMA/CSA101/I.S.2/A440 to comply with section 2405.5 of the International Building Code.

Certain airborne contaminants can diminish the integrity of acrylic and/or polycarbonate lenses. Refer to the compatibility tables for suitable uses on our website.

Skylights not for use in Harsh, Corrosive, Marine and high-humidity Environmental Conditions such as Marina, Greenhouses, Petrol-Chemical facilities or other chemicals where the skylights may be exposed to such conditions.

Type	U-Factor	SHGC
Signature Double Glazed with White CT1	.38	.35

Cleaning Acrylic Lenses: Frequency of cleaning is determined by site conditions. When cleaning acrylic lenses, use only water or water with a mild soap. Use a soft rag to minimize scratching the acrylic. A pressure washer is acceptable to use as well. Never use ammonia, aromatic or petroleum based products to clean acrylic lenses. This will cause deterioration and cracking of the lens and will void the warranty.

Skylights should not be installed in locations with an operating temperature in excess of -75° F or 180° F.

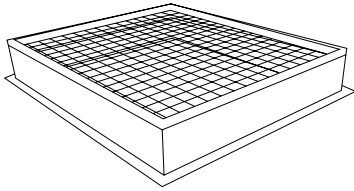
					>>>
--	--	--	--	--	-----

Fixture	Curb Topper Layer	Lens Dimensions	Lens Width	Lens Length
CT Curb Topper Lens	1 Single Layer Curb Topper	4040 50" x 50"	W50 Width 50 inches	L50 Length 50 inches
		4060 50" x 74"	W50 Width 50 inches	L74 Length 74 inches
		4070 50" x 86"	W50 Width 50 inches	L86 Length 86 inches
		4080 51" x 99"	W51 Width 51 inches	L99 Length 99 inches
		5060 62.375" x 74.375" (default)	W62.375 Width 62.375 inches	L74.375 Length 74.375 inches

Options

CTWHT White Curb Topper Lens

* 32 Square foot size limitation



ARC3 / ASRC3 18 or 14 Gauge

Galvanized Insulated
Skylight Curb



Curb Model ARC3 / ASRC3

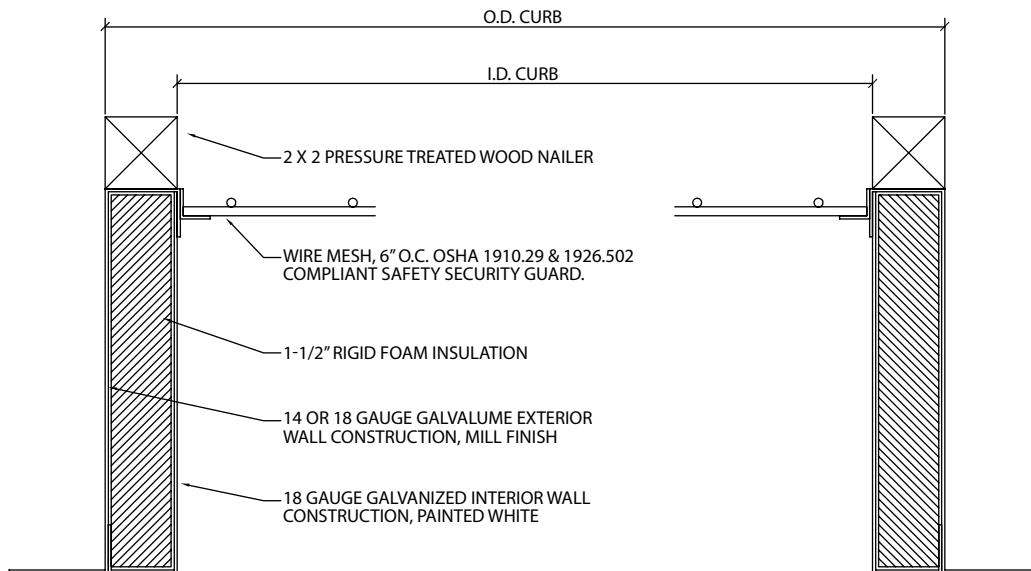
Warranty: 5-year limited warranty available. Complete warranty terms located at: www.sunoptics.com

Note: Actual performance may differ as a result of end-user environment and application.

Specifications subject to change without notice.

PRODUCT PROFILE

Details Not To Scale



SPECIFICATIONS

Curbs shall be Sunoptics model ARC-3 as manufactured by Sunoptics, Inc., P.O. Box 780249, Tallahassee, AL 36078 | 800-289-4700

Curbs shall be completely fabricated ready for installation.

Curbs shall be fabricated from 14 gauge or 18 gauge Galvanized Steel, interior painted white and include a 1 1/2" thick rigid foam insulation. Curb shall include a 2 X 2 Pressure Treated Wood Nailer for mounting skylight.

Curbs shall include as standard, an OSHA 1910.29 and 1926.502 compliant wire mesh, 6" O.C. welded Safety Security Guard.

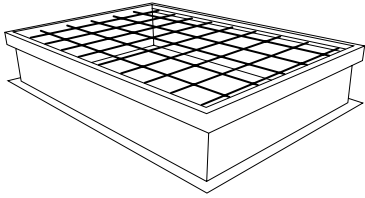
(Optional) 1/2" Round Steel Security Bars welded 8" O.C. Both directions.

▶▶▶

Fixture	OD Bare Curb Callou	OD Curb Width	OD Curb Length	Curb Height
CURB Curb	4040 50" x 50"	W50 Width 50 inches	L50 Length 50 inches	12H 12" Tall Fully Welded Insulated
	4060 50"x74"	W50 Width 50 inches	L74 Length 74 inches	14H 14" Tall Fully Welded Insulated
ARC3	4070 50"x86"	W50 Width 50 inches	L86 Length 86 inches	16H 16" Tall Fully Welded Insulated
	4080 51"x99"	W51 Width 51 inches	L99 Length 99 inches	
ASRC3	5060 62-3/8"x74-3/8"	W62.375 Width 62.375 Inches	L74.375 Length 74.375 inches	

Curb Thickness	Guard
ARC3 18 Gauge Galvanized Steel	NG No Guard
ASRC3 14 Gauge Galvanized Steel	(blank) With Guard (Default)
	BURG Burglar Bars 8 inch OC Grid with 1/2" Round Rod.





ARC6 / ASRC6 18 or 14 Gauge

Galvanized Non-Insulated
Skylight Curb



Curb Model ARC6 / ASRC6

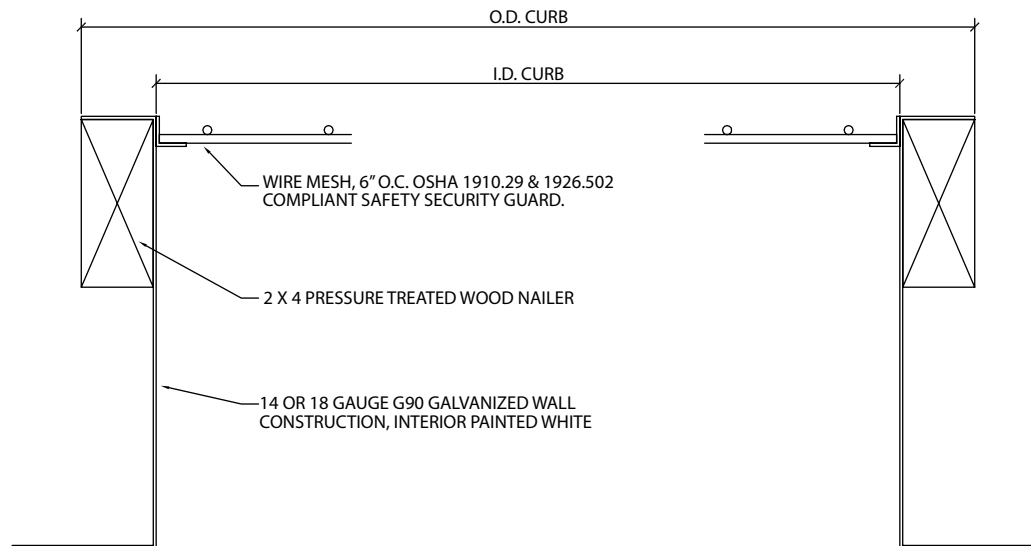
Warranty: 5-year limited warranty available. Complete warranty terms located at: www.sunoptics.com

Note: Actual performance may differ as a result of end-user environment and application.

Specifications subject to change without notice.

PRODUCT PROFILE

Details Not To Scale



SPECIFICATIONS

Curbs shall be Sunoptics model ARC6 / ASRC6 as manufactured by Sunoptics, Inc., P.O. Box 780249, Tallahassee, AL 36078 | 800-289-4700

Curbs shall be completely fabricated ready for installation.

Curbs shall be fabricated from 14 gauge or 18 gauge G-90 Galvanized Steel, interior painted white. Curb shall include a 2 X 4 Pressure Treated Wood Nailer for mounting skylight.

Curbs shall include as standard, an OSHA 1910.29 and 1926.502 compliant wire mesh, 6" O.C. welded Safety Security Guard.

(Optional) 1/2" Round Steel Security Bars welded 8" O.C. Both directions.

▶▶▶

Fixture	OD Bare Curb Callou	OD Curb Width	OD Curb Length	Curb Type
CURB Curb ARC6 ASRC6	4040 50" x 50"	W50 Width 50 inches	L50 Length 50 inches	12A 12" Steel Curb No Insulation
	4060 50"x74"	W50 Width 50 inches	L74 Length 74 inches	14A 14" Steel Curb No Insulation
	4070 50"x86"	W50 Width 50 inches	L86 Length 86 inches	16A 16" Steel Curb No Insulation
	4080 51"x99"	W51 Width 51 inches	L99 Length 99 inches	
	5060 62-3/8"x74-3/8"	W62.375 Width 62.375 Inches	L74.375 Length 74.375 inches	

Curb Thickness	Guard
ARC6 18 Gauge Galvanized Steel	NG No Guard
ASRC6 14 Gauge Galvanized Steel	(blank) With Guard (Default)
	BURG Burglar Bars 8 inch OC Grid with 1/2" Round Rod.



Structure your project for ROI



ARC6 Structural Steel Skylight Curbs

Eliminate the need for costly deck reinforcement!

ARC 6 Structural Curbs Save Total Installed Dollars!

The ARC6 Structural Steel Skylight Curb is designed to eliminate the need for structural reinforcement of metal deck applications. By utilizing the typical joist spacing as a guide, the ARC6 can span the joist, either below the deck or above, and eliminate the need for any structural reinforcement, reducing your total installed costs per unit.

- Weld directly to structural joist, or use U-Channel accessory for above deck applications, and becomes part of the structure.
- Engineering calculations and drawings available.
- 5' x 6' typical. Numerous curb sizes and heights available.

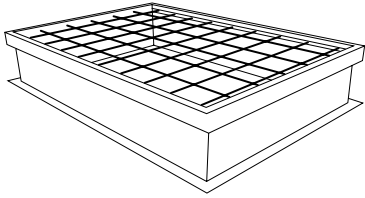


P.O. Box 780249, Tallahassee, AL 36078
Toll Free (800) 289-4700

WWW.SUNOPTICS.COM



**The Originator and Inventor of the
High Performance Prismatic Skylight**



ARC6 STRUCTURAL

Galvanized Non-Insulated
Skylight Curb



Curb Model ARC6

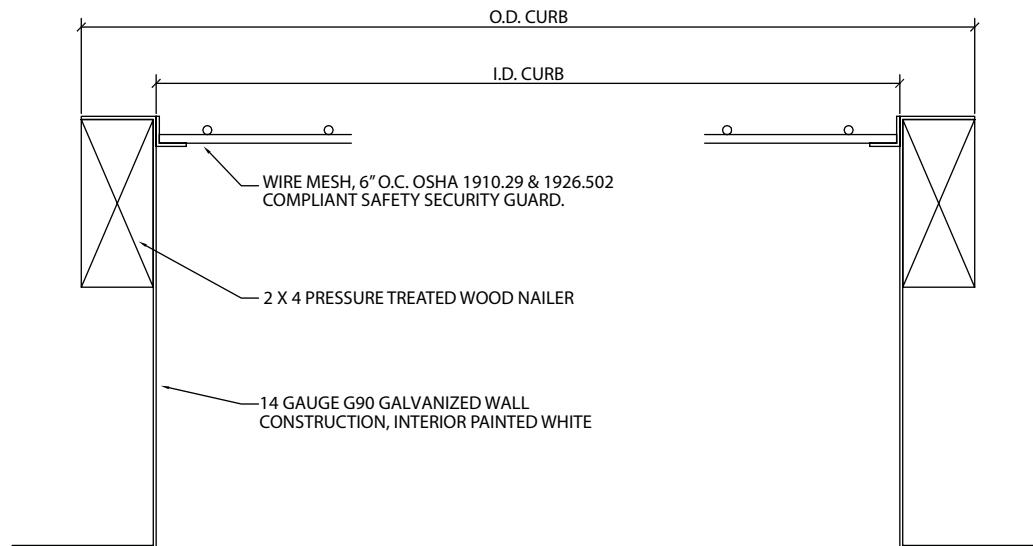
Warranty: 5-year limited warranty available. Complete warranty terms located at: www.sunoptics.com

Note: Actual performance may differ as a result of end-user environment and application.

Specifications subject to change without notice.

PRODUCT PROFILE

Details Not To Scale



SPECIFICATIONS

Curbs shall be Sunoptics model ARC-6 as manufactured by Sunoptics, Inc., P.O. Box 780249, Tallassee, AL 36078 | 800-289-4700

Curbs shall be completely fabricated ready for installation.

Curbs shall be designed to span the joist / purlin spacing on metal roofing deck applications. Typical joist spacing spans in North America spans 5' to 6' nominal. Verification of joist spacing is the responsibility of purchaser.

Curbs shall be fabricated from 14 gauge G-90 Galvanized Steel, interior painted white. Curb shall include a 2 X 4 Pressure Treated Wood Nailer for mounting skylight. Curb designed to be insulated with roofing package and treated as member of the roofing structure.

Curbs shall include as standard, an OSHA 1910.29 and 1926.502 compliant wire mesh, 6" O.C. welded Safety Security Guard.

(Optional) 1/2" Round Steel Security Bars welded 8" O.C. Both directions.

